

RAV4

PRODUCTION DATE: OCTOBER 2015 ONWARDS

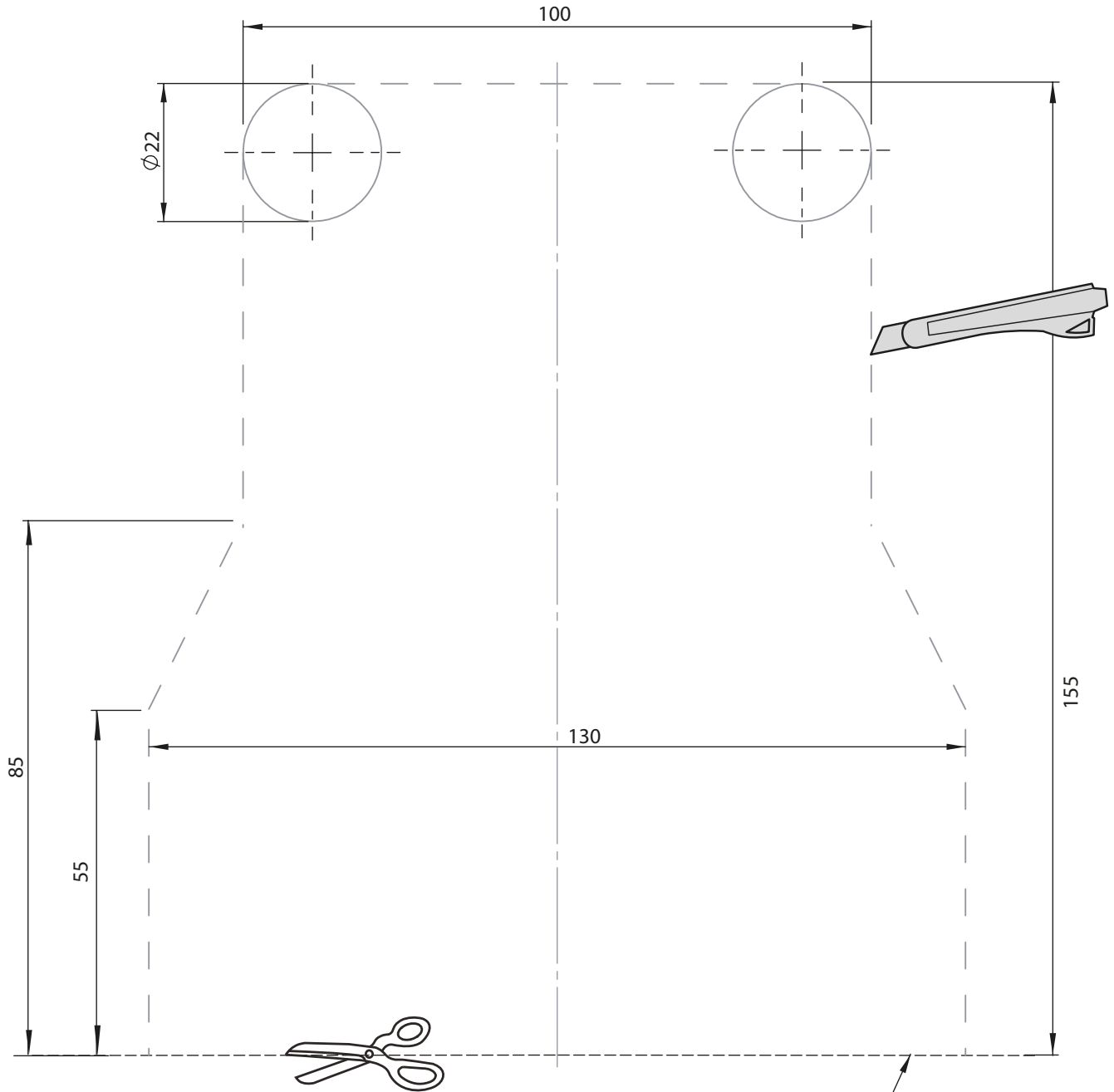
CUT TEMPLATES FOR:
ACCESSORY PART NUMBER: PZQ64-42093
CLASS 4 TOW BAR

CUT TEMPLATES

IMPORTANT INFORMATION

FOR VEHICLES MADE AFTER OCTOBER 2015

USE THIS TEMPLATE TO CUT THE LOWER PORTION OF THE BUMPER



1. Ensure that all dimensions are to scale before proceeding.
2. Cut lower edge of template (edge of skirt line).
3. Position the template on the outside of the rear skirt
4. Align edge on template with the lowest edge on the rear skirt and centralise on bumper.
5. Mark centre of Ø22mm.
6. Drill 2 x Ø22mm holes using a Ø22mm Speedbore.
7. Mark outside of bumper cover from edge of skirt to tangent of Ø22mm holes.
8. Use a sharp knife to cut along lines marked in step 7.

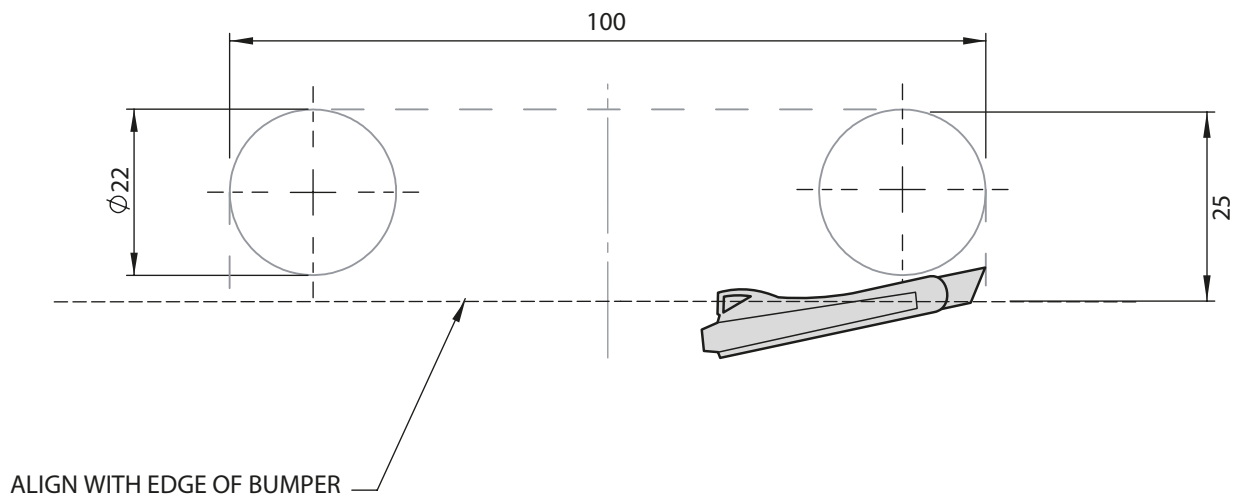
ALIGN WITH EDGE OF BUMPER

**THIS PAGE IS INTENTIONALLY
LEFT BLANK**

IMPORTANT INFORMATION

FOR VEHICLES MADE AFTER OCTOBER 2015

USE THIS TEMPLATE TO CUT THE MIDDLE PORTION OF THE BUMPER



1. Ensure that all dimensions are to scale before proceeding.
2. Cut lower edge of template (edge of skirt line).
3. Position the template on the outside of the rear skirt
4. Align edge on template with the lowest edge on the rear skirt and centralise on bumper.
5. Mark centre of $\varnothing 22$ mm.
6. Drill 2 x $\varnothing 22$ mm holes using a $\varnothing 22$ mm Speedbore.
7. Mark outside of bumper cover from edge of skirt to tangent of $\varnothing 22$ mm holes.
8. Use a sharp knife to cut along lines marked in step 7.