

PARTS, SERVICE & ACCESSORIES

HILUX
 June 2011 Production Onwards
ACRYLIC BONNET PROTECTOR
 Installation Instructions



Accessory Part No. **PZQ15-89090/PZQ15-89110** Installation Time: Approx. 15 mins

Place these instructions in vehicle's glove box after installation is complete

Care Instructions:



Do not slam bonnet.



Clean Bonnet Protector with a mild detergent and water solution.

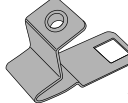










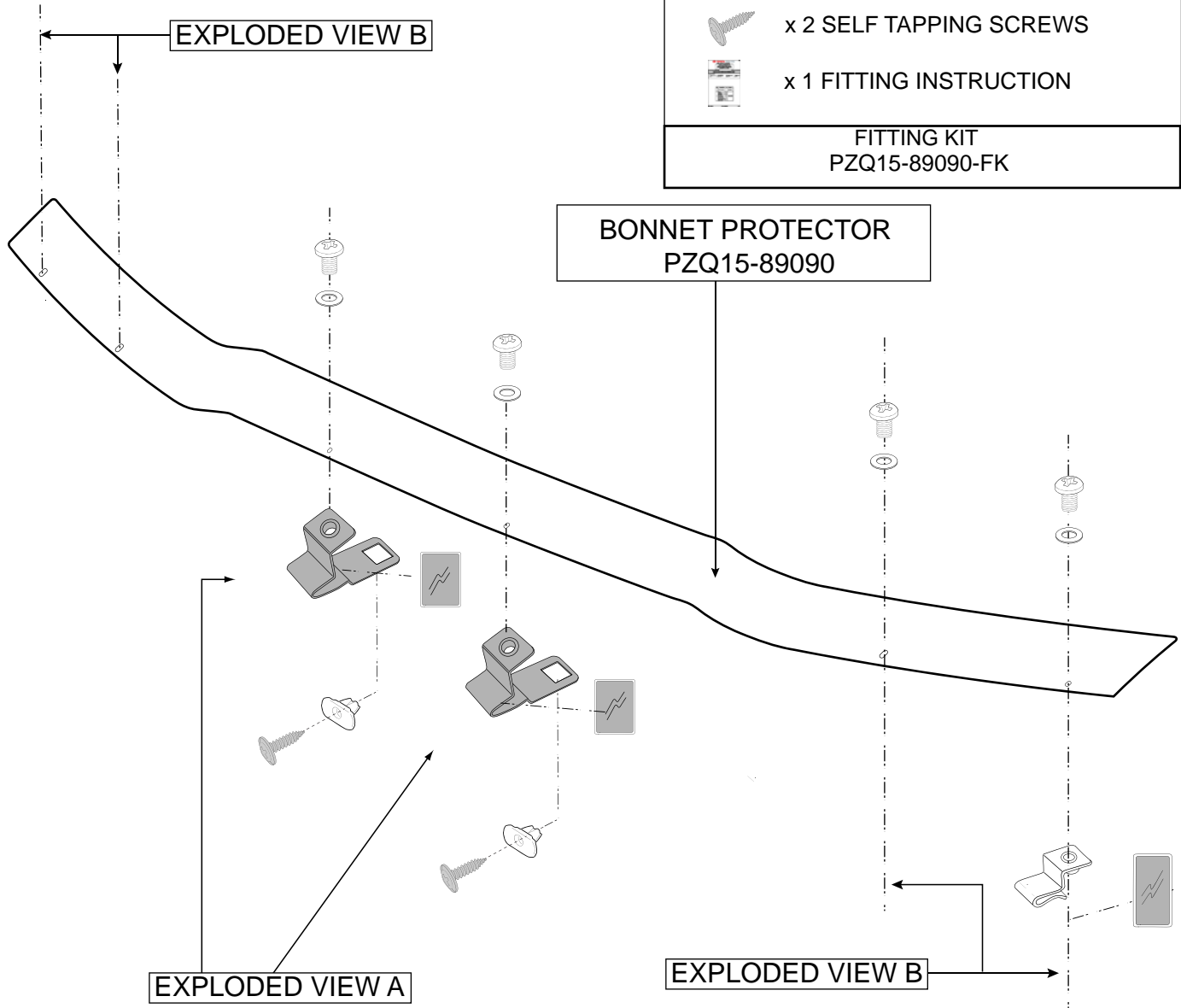
Do not use automatic car wash.



Do not use abrasive, spirit or solvent based cleaners.

Item	Component Name	Qty	Part number
1	Bonnet Protector Clear Bonnet Protector Tinted	1	PZQ15-89090 PZQ15-89110
2	Centre Metal Clips	2	PZQ15-89090-FK
	Metal Wing Clips	4	
	Washers	6	
	Screws	6	
	Abrasive Resistant Tapes	6	
	Screw Plugs	2	
	Self Tapping Screws	2	
	Alcohol Wipe	1	
Fitting Instruction	1		

-  x 2 CENTRE METAL CLIPS
 -  x 1 ALCOHOL WIPE
 -  x 4 METAL WING CLIPS
 -  x 6 SCREWS
 -  x 6 WASHERS
 -  x 6 ABRASIVE RESISTANT TAPES
 -  x 2 SCREW PLUGS
 -  x 2 SELF TAPPING SCREWS
 -  x 1 FITTING INSTRUCTION
- FITTING KIT**
PZQ15-89090-FK



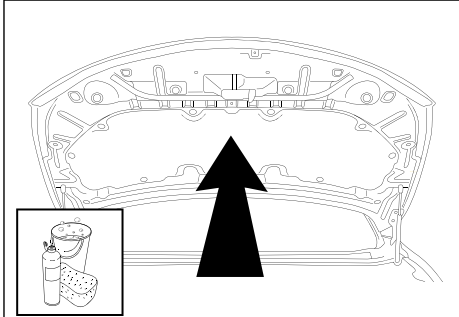


Diagram #: 1

1. Open & thoroughly clean and dry the bonnet. **See Dia #1.**

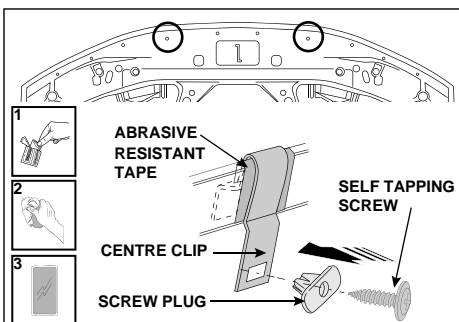


Diagram #: 2

2. Note the two centre holes in the underside of the hood. Trial fit the centre metal clips aligning the square hole in the clips with the round holes in hood. Note where the clips make contact with the bonnet area, remove clips. Clean this area with the alcohol wipe provided. Wipe off any residue with a dry clean cloth. Adhere the abrasive resistant tape strips over the bonnet lip. Position clips onto Bonnet and fit screw plugs into holes in bonnet. Ensure the square boss on screw plugs sit in the square hole in clip. Secure with self tapping screws provided. **See Dia #2.**

IMPORTANT: Ensure that the clips are positioned over abrasive resistant tape and do not come in contact with any of the bonnet's paint work. Failure to do this may result in permanent paint damage.

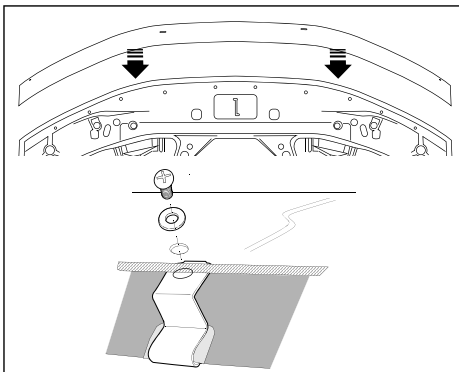


Diagram #: 3

3. Fit the Bonnet Protector centrally to bonnet and loosely secure to the centre clips with the small screws and washers provided. **See Dia #3.**

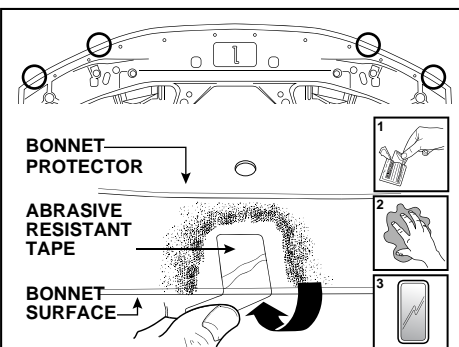


Diagram #:4

4. Note the areas under the wing clip hole locations. Clean bonnet with the alcohol wipe provided and wipe off any residue with a dry clean cloth. Adhere the abrasive resistant tape strips over the bonnet lip directly below the wing clip holes. Apply tape so approximately half of each strip is adhered to the top side and half is adhered to the underside of bonnet. **See Dia #4.**

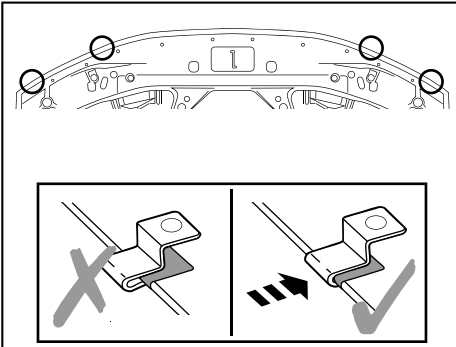


Diagram #:5

5. Push the metal wing clips onto bonnet locating the metal wing clips over the abrasive resistant tape strips on the bonnet lip, as shown. **See Dia #5.**
IMPORTANT: Ensure that the clips are positioned over abrasive resistant tape and do not come in contact with any of the bonnet's paint work. Failure to do this may result in permanent paint damage.

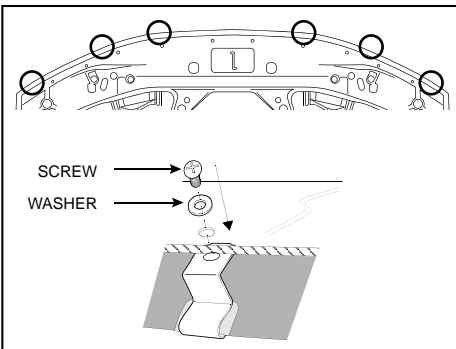


Diagram #:6

6. Loosely secure the Bonnet Protector to all the metal clips with the screws and washers provided. With all screws still loose, ensure Bonnet Protector is aligned centrally & gently tighten all screws. **See Dia #6.**

IMPORTANT: Conduct final inspection, ensuring all fasteners are tightened, and clips are correctly installed and not touching painted surfaces. Close bonnet and check clearances at all edges for interference and adjust if necessary.

TO REMOVE: Reverse the above procedure.