



PARTS, SERVICE & ACCESSORIES

COROLLA HATCH

July 2018 Production Onwards

ACRYLIC WEATHERSHIELDS

Installation Instructions

Accessory Part No. PZQ21-12080

Installation Time: Approx. 20 mins

Place these instructions in vehicle's glove box after installation is complete

Care Instructions:

Clean Weathershields with a mild detergent and water solution.



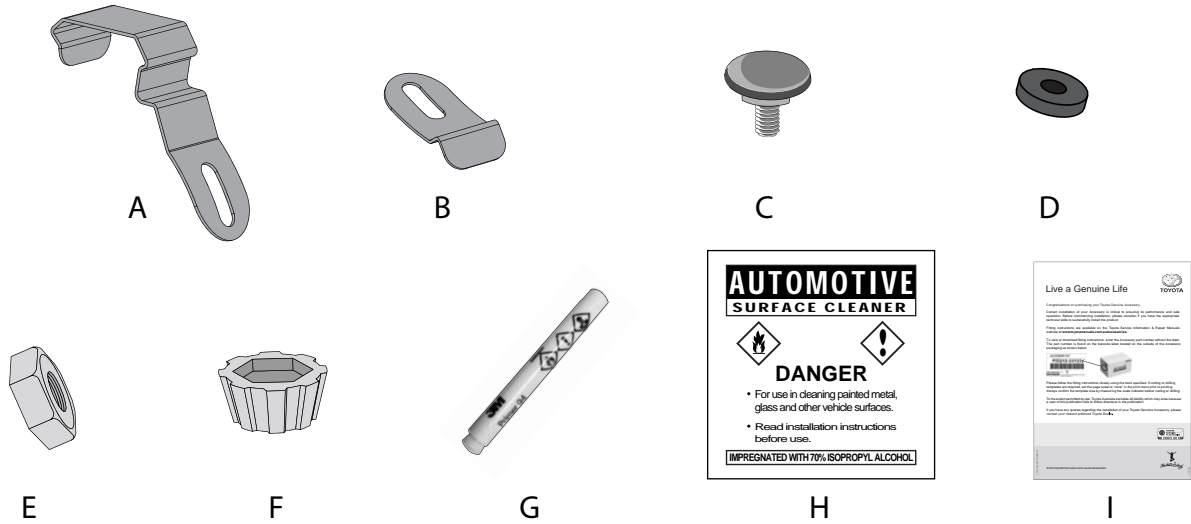
Do not use automatic car wash.



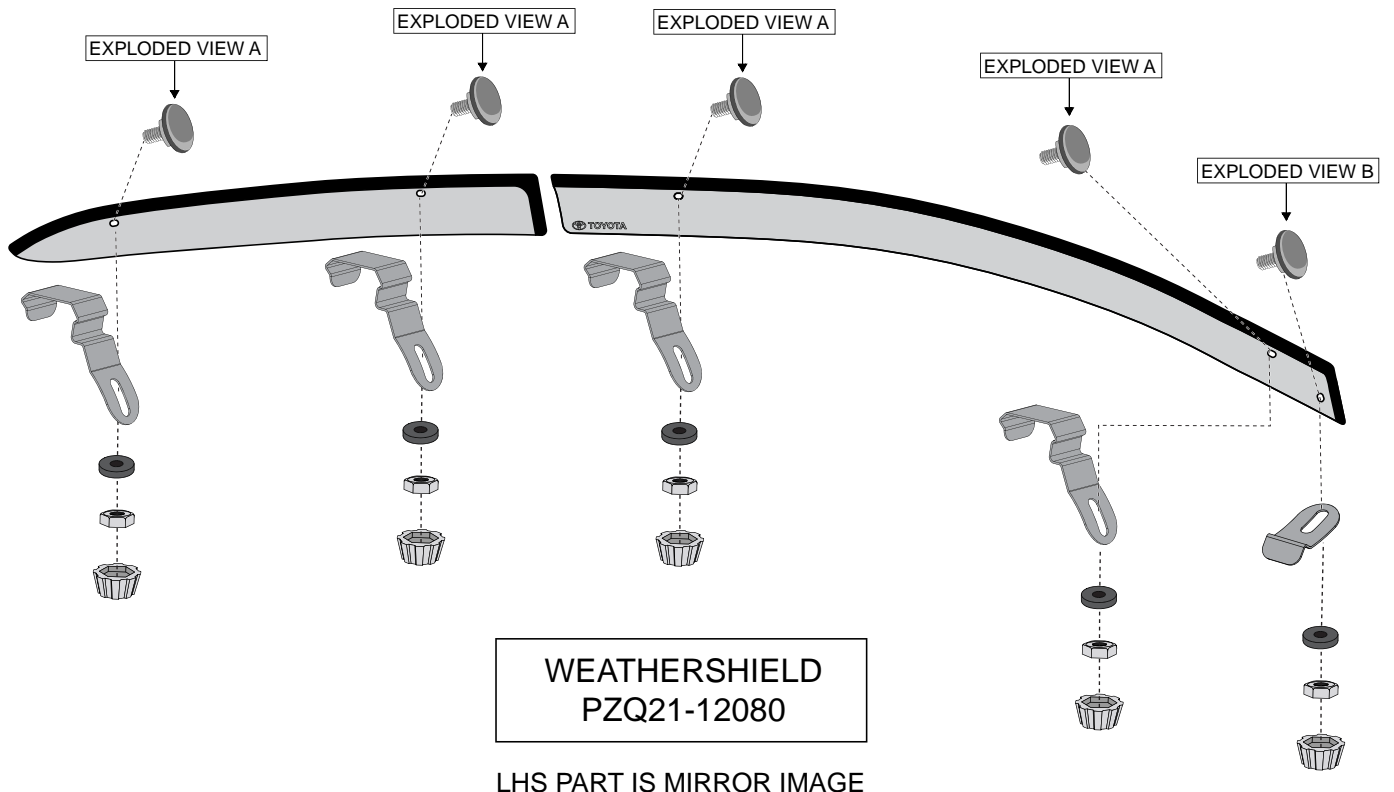
Do not use abrasive, spirit or solvent based cleaners.

Item	Component Name	Qty	Part number
1	Slimline Weathershield Set	1	PZQ21-12080
2	Top Metal Clip	8	PZQ21-1208A
	Front Metal Clip	2	
	Screw	10	
	Washer	10	
	Hex Nut	10	
	Fitment Tool	1	
	Adhesion Promoter	2	
	Alcohol Wipe	4	
	Fitting Instruction Flyer	1	

Item	Qty		Item	Qty	
A	8	Top Metal Clip	F	1	Fitment Tool
B	2	Front Metal Clip	G	2	Adhesion Promoter
C	10	Screw	H	4	Alcohol Wipe
D	10	Washer	I	1	Fitting Instruction Flyer
E	10	Hex Nut			



FITTING KIT
PZQ21-1208A



LHS PART IS MIRROR IMAGE

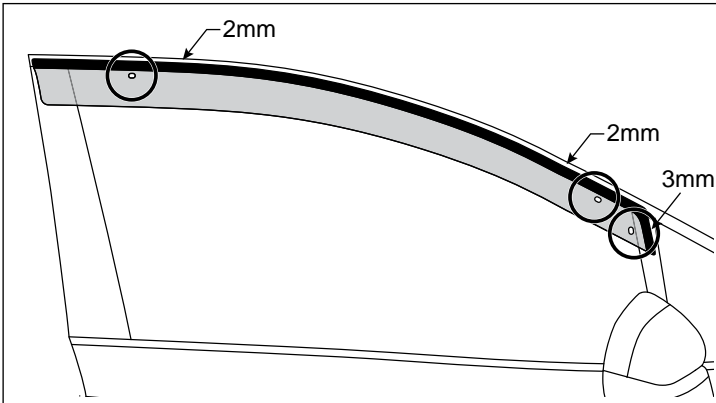


Diagram #: 1

1. Read through installation instructions before installation. Thoroughly clean and dry the front door frame prior to fitment.

Wind the window down and using a ruler, trial fit the Weathershield 2mm from the top edge of the door frame, and 3mm from the front edge of the vertical door frame. Note the two slots and one hole on the weathershield. Note the tape attachment areas on the door frame. Remove Weathershield.

See Dia #1.

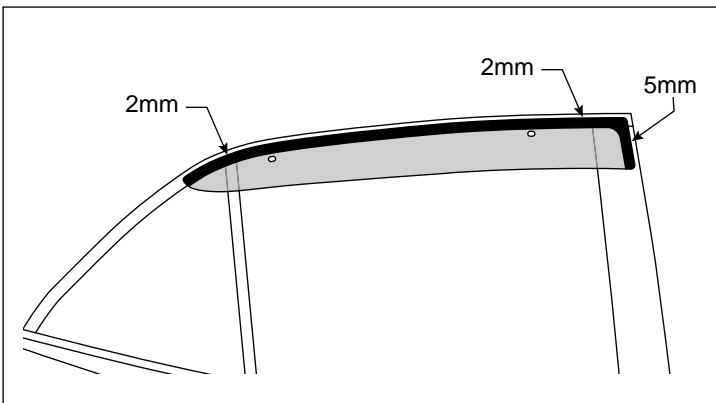


Diagram #: 2

2. Thoroughly clean and dry the rear door frame prior to fitment.

Wind the window down and using a ruler, trial fit the Weathershield 2mm from the top edge of the door frame and 5mm from the front edge of the rear RHS door frame. Note the two slots on the weathershield.

Note the tape attachment areas on the door frame. Remove Weathershield.

See Dia #2.

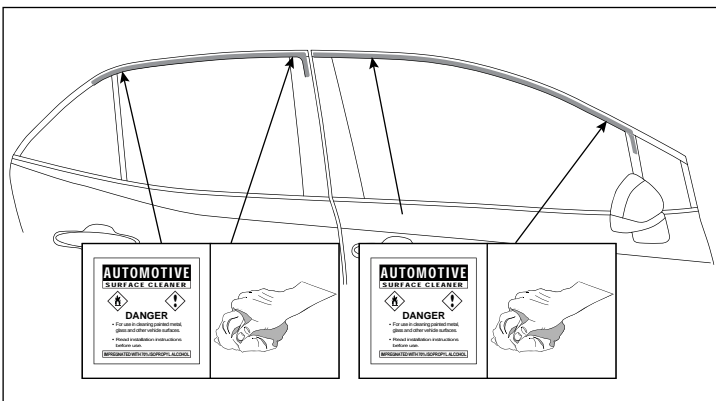


Diagram #: 3

3. Clean previously noted tape attachment areas thoroughly with the alcohol wipes provided. Wipe away any residue with a dry clean cloth.

See Dia #3.

Note: Clean the front and rear doors with the alcohol wipes provided at the same time.

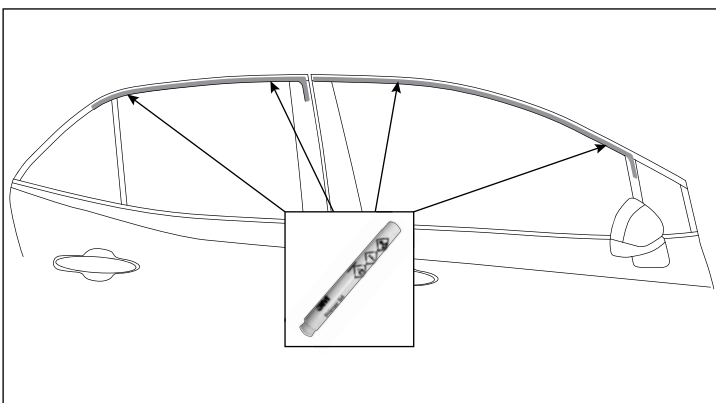


Diagram #: 4

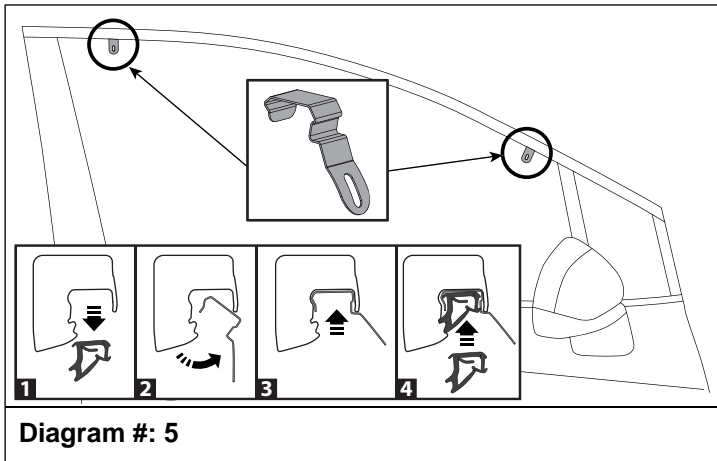
4. Apply adhesion promoter directly onto the tape attachment areas.

Allow the Adhesion Promoter 5 minutes drying time once applied.

See Dia #4.

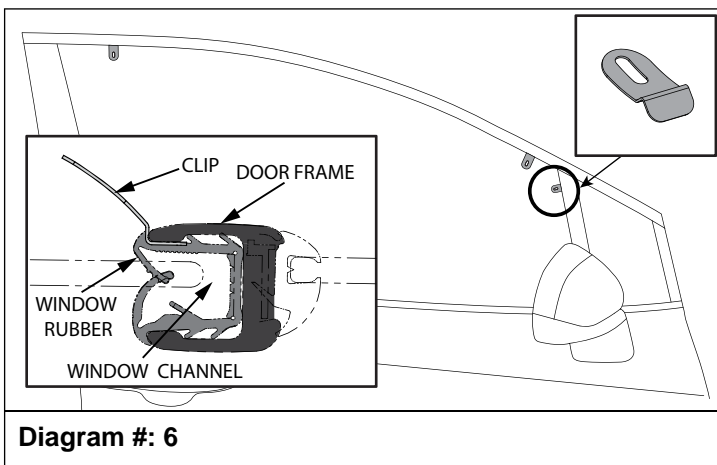
Important: Keep out of contact with eyes, skin etc. Do not inhale.

Note: Prepare front and rear doors at the same time to prevent adhesion promoter from drying out.



5. Gently pull the rubber door seal away from the glass channel in the door frame. Install top metal clips into the glass channel at the two locations shown. Once clips are securely installed reinsert the rubber seal into the glass channel in the door frame.

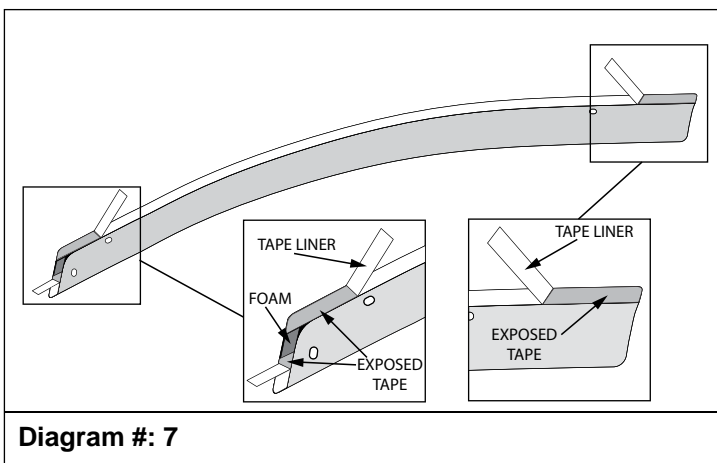
See Dia #5.



6. Carefully attach the front metal clip between the door frame and window rubber as shown.

See Dia #6.

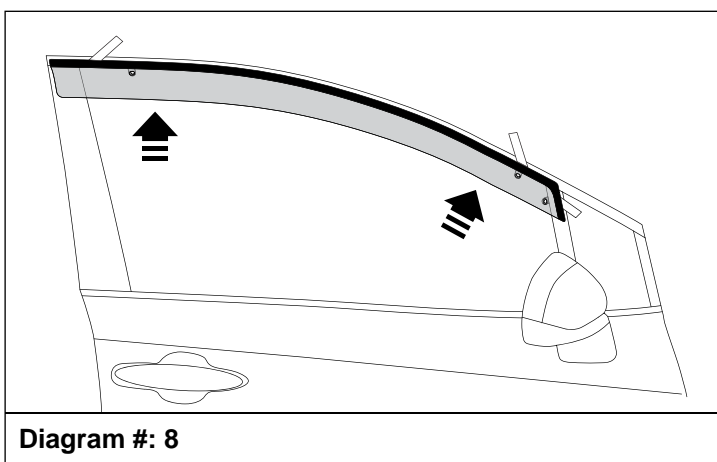
IMPORTANT :
INSTALL METAL CLIP BY HAND. DO NOT USE TOOLS.
CHECK THAT CLIP IS IN BETWEEN THE RUBBER SEAL AND THE DOOR FRAME AND DOES NOT MAKE CONTACT WITH GLASS AS WINDOW CLOSSES.



7. Peel approximately 50mm of tape-liner from both ends of the double-sided tape attached to the weathershield. Fold the tape liner at 45°, as shown.

See Dia #7.

IMPORTANT: DO NOT TOUCH EXPOSED TAPE SURFACE AREAS.



8. Position the weathershield on the door frame following the positioning in Step 1. Double check the positioning of the weathershield, then apply light pressure to the tape areas.

See Dia #8.

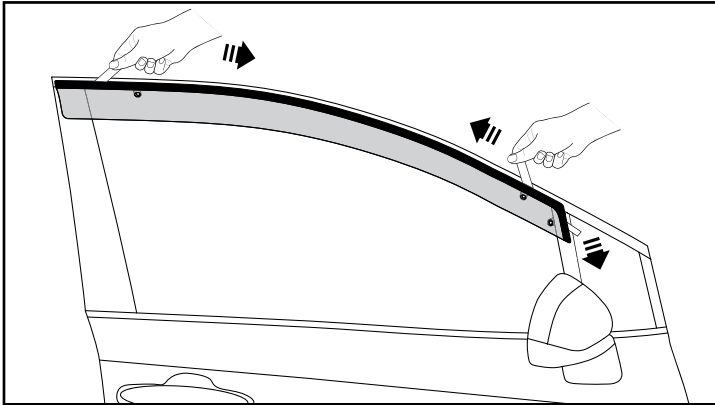


Diagram #: 9

9. Gently peel the remaining backing tape liner away slowly by pulling on the exposed ends of the liner, apply firm pressure around the attachment areas.
See Dia #9.

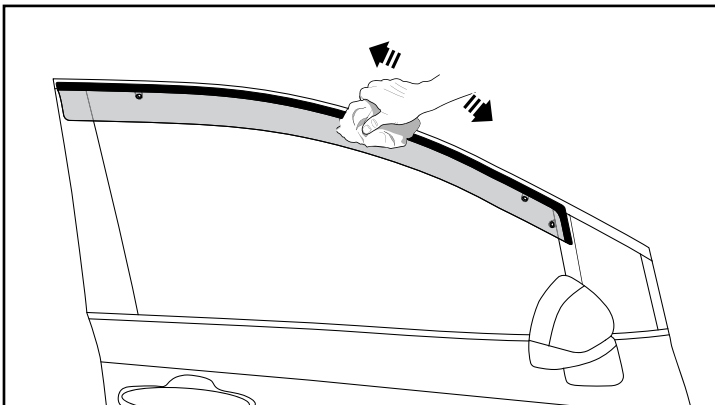


Diagram #: 10

10. Using a clean soft cloth, firmly rub down over the attachment areas a minimum of four times to ensure maximum adhesion.
See Dia #10.

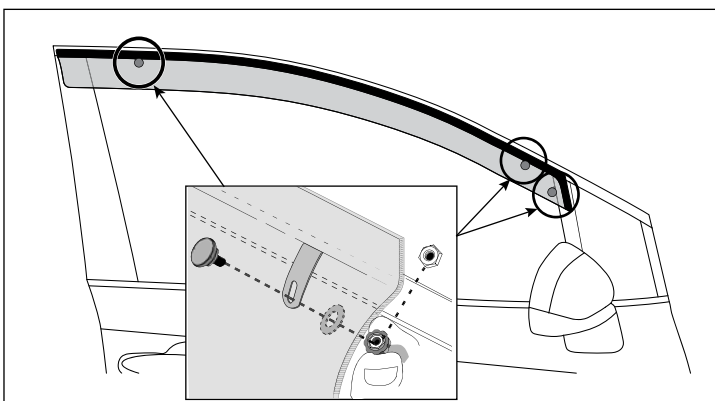


Diagram #: 11

11. Attach the screw fixing through the slots in the Weathershield and metal clips.

Insert the hex nuts into the fitment tool and fasten the Weathershield to the clips using the screws and washers provided.

Use the supplied fitment tool only to tighten hex nuts.
See Dia #11.

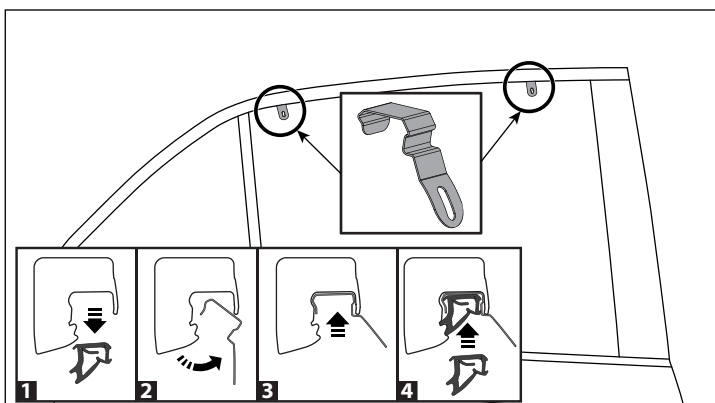
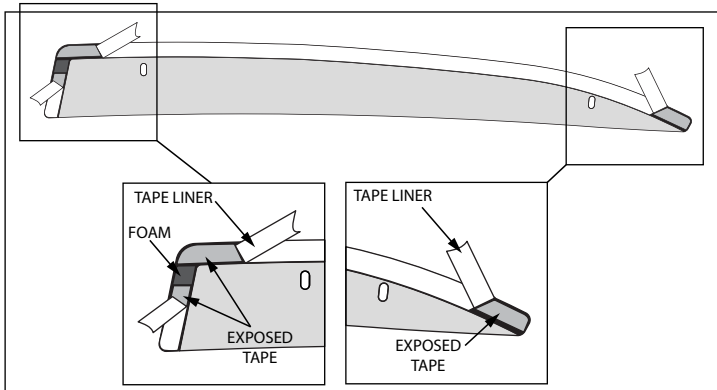


Diagram #: 12

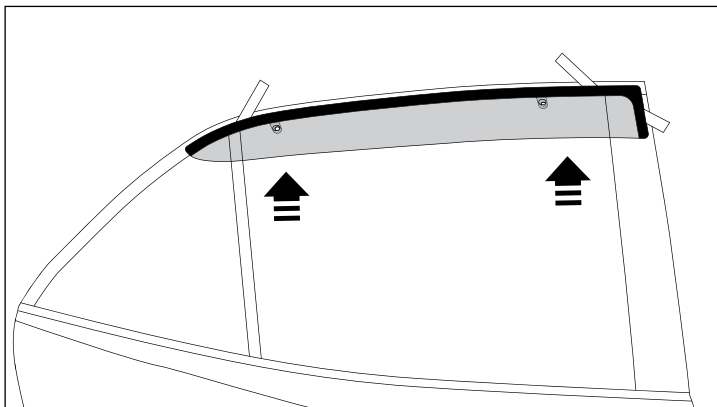
12. Gently pull the rubber door seal away from the glass channel in the door frame. Install top metal clips into the glass channel at the two locations shown. Once clips are securely installed reinsert the rubber seal into the glass channel in the door frame.
See Dia #12.



13. Peel approximately 50mm of tape-liner from both ends of the double-sided tape attached to the weathershield. Fold the tape liner at 45°, as shown. See Dia #13.

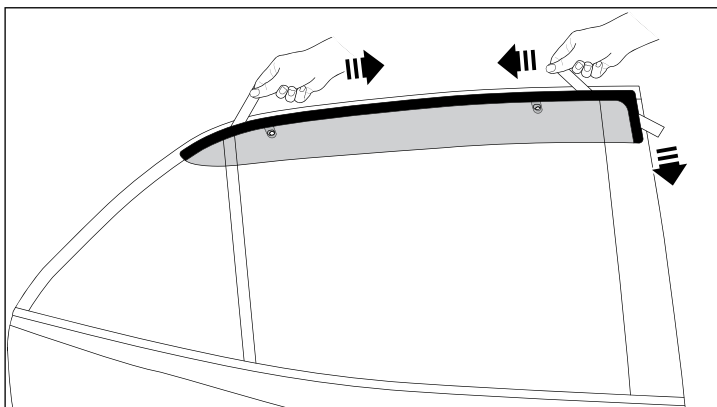
IMPORTANT: DO NOT TOUCH EXPOSED TAPE SURFACE AREAS.

Diagram #: 13



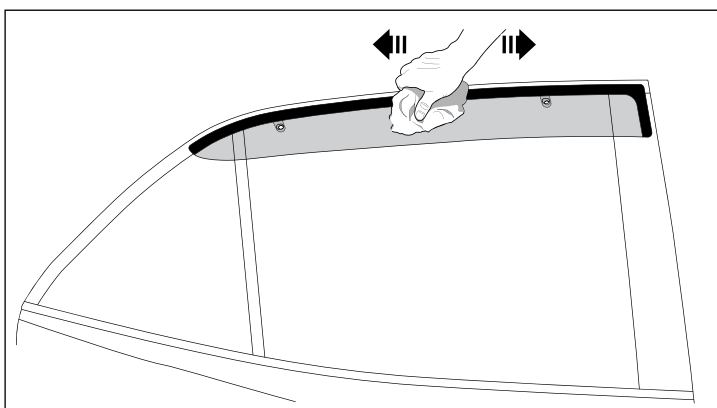
14. Position the weathershield on the door frame following the positioning in Step 2. Double check the positioning of the weathershield, then apply light pressure to the tape areas. See Dia #14.

Diagram #: 14



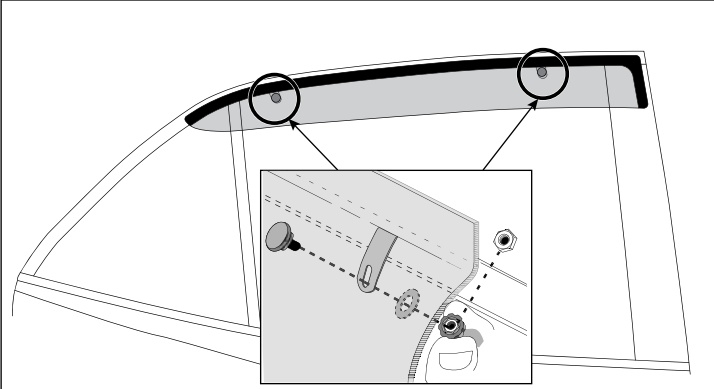
15. Gently peel the remaining backing tape liner away slowly by pulling on the exposed ends of the liner, apply firm pressure around the attachment areas. See Dia #15.

Diagram #: 15



16. Using a clean soft cloth, firmly rub down over the attachment areas a minimum of four times to ensure maximum adhesion. See Dia #16.

Diagram #: 16



17. Attach the screw fixing through the slots in the Weathershield and metal clips.

Insert the hex nuts into the fitment tool and fasten the Weathershield to the clips using the screws and washers provided.

Use the supplied fitment tool only to tighten hex nuts.
See Dia #17.

Diagram #: 17