

# Instructions Front Control Arm - Upper Bushings

**Note** - This instruction sheet should be used in conjunction with the workshop manual and proper safety procedures followed.

## Install Guide

- Raise vehicle evenly and safely support.

*Never rely on a Jack only*

- Proceed to remove front wheels.

**Note** - the coil spring needs to be removed.  
**Proper safety precautions should be followed by a qualified person.**

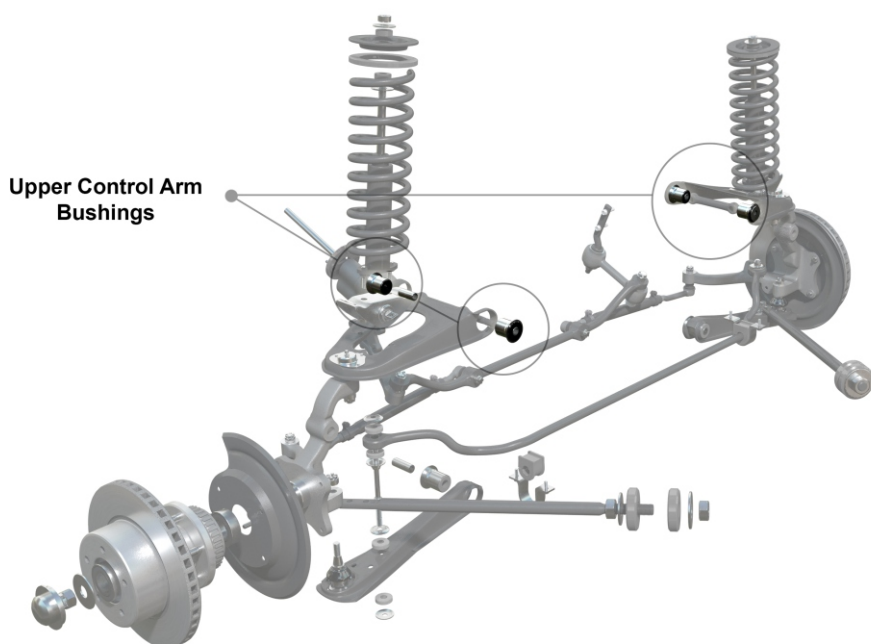
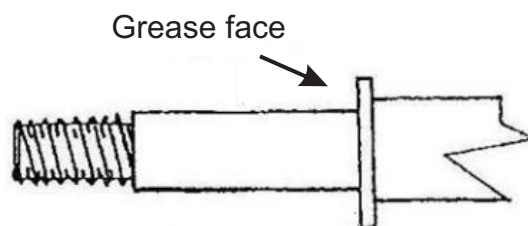
- Once coils are removed, proceed to unbolt upper control arm.
- Loosen and remove both bushing nuts. The old bushings will need to be pressed out or cut out from control arm.

**Note** - distance bushings are pressed in before removal

**Application** - Ford Falcon  
- Models XC to XF

*(Refer current catalogue for complete listing)*

**Contents** - Bushing FA60 x4  
- Steel washer x4  
- Steel tube 22x19.5x42mm x4  
- Grease



- Clean control arm eye and steel spindle.
- Place supplied washers over steel spindle.

*Refer page 2 -*

It is recommended that a licenced workshop or tradesperson carry out the above procedure and that workshop manual and relevant safety procedures are followed in addition to the above.

# Instructions Front Control Arm - Upper Bushings

**Note - This instruction sheet should be used in conjunction with the workshop manual and proper safety procedures followed.**

**Note - careful to not squeeze/deform arm - a piece of steel may be required to support arm**

- Proceed to press new bushings in arm.

Press in while spindle is inside arm eye's.

**Note - bushings are to be pressed in approx half-way - refer images right and below.**



- Press bushings in slowly until both bushings meet spindle evenly.
- Grease bushing internal diameter with supplied grease only.
- Grease bushing face also - then add factory washers and nuts.



- Re-fit arms to vehicle. A wheel alignment will be required immediately after install.
- Re-check all bolts after 200kms travelled.

It is recommended that a licenced workshop or tradesperson carry out the above procedure and that workshop manual and relevant safety procedures are followed in addition to the above.