

# Installation Guide

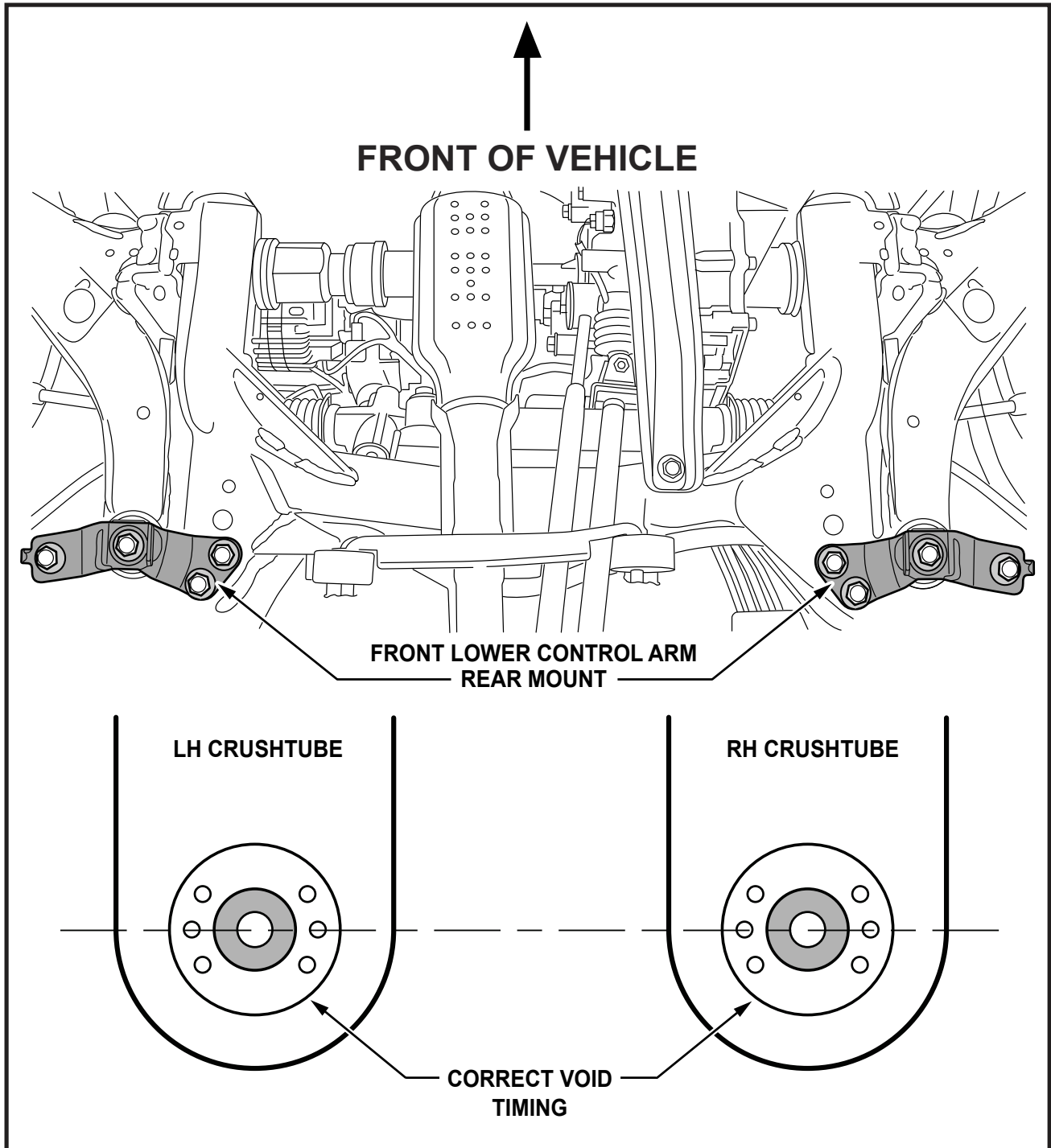
Z5082

## Front Lower Control Arm Rear Bush

Suits: Laser KN/KQ 11/98 - 08/02  
323 BJ - 09/98 - 12/03

*(Always refer to the current catalogue for complete application listings)*

**N.B:** These instructions should be used in conjunction with the workshop manual.



**N.B:** It is recommended that a licenced workshop or trades person carry out the above procedure and that workshop manual and relevant safety procedures are followed in addition to the above.