

HAYMAN REESE
PART No: 03173RW
LAND ROVER DISCOVERY SPORT L550
INSTALLATION INSTRUCTIONS

PLEASE ENSURE THAT INSTRUCTIONS ARE UNDERSTOOD PRIOR TO FITMENT
PLACE THESE INSTRUCTIONS IN THE VEHICLE'S GLOVEBOX AFTER INSTALLATION IS COMPLETED



Installation Time: Approx 85 Mins

Towbar Installation Instructions

Towbar capacity

LAND ROVER DISCOVERY SPORT L550

Part Number 03173RW

Max Towing Braked 2200 kg

Max Towing Unbraked 750 kg

Max Static Ball Load 150 kg

Tail Harness Length Required 1200 MM

Hayman Reese (Cequent)
PO Box 4050, Dandenong South VIC 3164
Phone 1800 812 017 Email info@haymanreese.com.au

www.haymanreese.com.au



HAYMAN REESE

PART No: 03173RW

LAND ROVER DISCOVERY SPORT L550

INSTALLATION INSTRUCTIONS

PLEASE ENSURE THAT INSTRUCTIONS ARE UNDERSTOOD PRIOR TO FITMENT
PLACE THESE INSTRUCTIONS IN THE VEHICLE'S GLOVEBOX AFTER INSTALLATION IS COMPLETED

Warning:

1. Do not, drill, cut, weld or otherwise modify the towbar.
2. If you are using electric welding on a motor vehicle, **always** check that the vehicle is not equipped with electronic engine or instrument management equipment. Failure to do so could **destroy** any on board computers. If in doubt, check with the vehicle's manufacturer.
3. If TBM is used in inverted position tow ball may make contact with rear tailgate when lowered, which could cause damage.

General:

1. Ensure all hardware items have been included refer to assembly diagram.
2. It is recommended that the instructions are read through and completely understood before making any attempt to fit this product.
3. Be wary of any changes to vehicle designs or other accessories that may conflict with the installation of this product.
4. Before drilling ensure that the area is clear of fuel, electrical & other components.
5. All holes drilled into the body panels shall have all burrs & swarf removed then coated with a suitable rust preventative paint.
6. The high tensile fasteners supplied with this product were used to achieve the specified rating. If replacement is required ensure that fasteners of the same rating & quality are used. Contact an authorised **Hayman Reese** dealer if further information is required.
7. Ensure that all hardware is fastened to torque list below check fasteners on regular basis.
8. Towbar load rating sticker provided with this product shall be conspicuously located on inside rear end of the driver's door. **(See diagram below).**
9. Hayman Reese recommends that you check your tow ball to ensure that it complies with the Australian standards **AS 4177.2**.
10. **PLEASE NOTE:** It is advised to remove your LUG or TBM when not actually towing so as to produce a clear view of the vehicles registration plate if obscured, and to also provide maximum available departure angle.

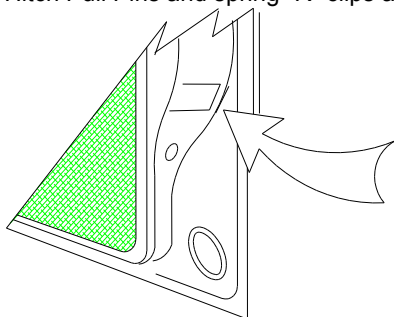
Tow bar Maintenance and Care.

Hayman Reese recommends that bolt torque's, as listed below, are routinely and regularly inspected and checked for correct tension. Replace any worn or defective parts.

We recommended to remove Tow Ball Mounts (TBM's, tongues or lugs) when not being used for any considerable length of time.

So as to avoid injury, when not towing it is suggested that the tongue, Pull Pin and R-clip are removed then stored in a safe, clean and dry place, away from excessive moisture.

Hitch Pull Pins and spring "R" clips are regularly checked for proper installation. Replace any worn or defective parts.



Place load rating sticker
inside driver's door here

FOR TOWING PURPOSES ONLY
For towing capacity details please refer to vehicle
owner's manual or to the manufacturer. Overloading can
void your warranties.

Hayman Reese (Cequent)
PO Box 4050, Dandenong South VIC 3164
Phone 1800 812 017 Email info@haymanreese.com.au

www.haymanreese.com.au



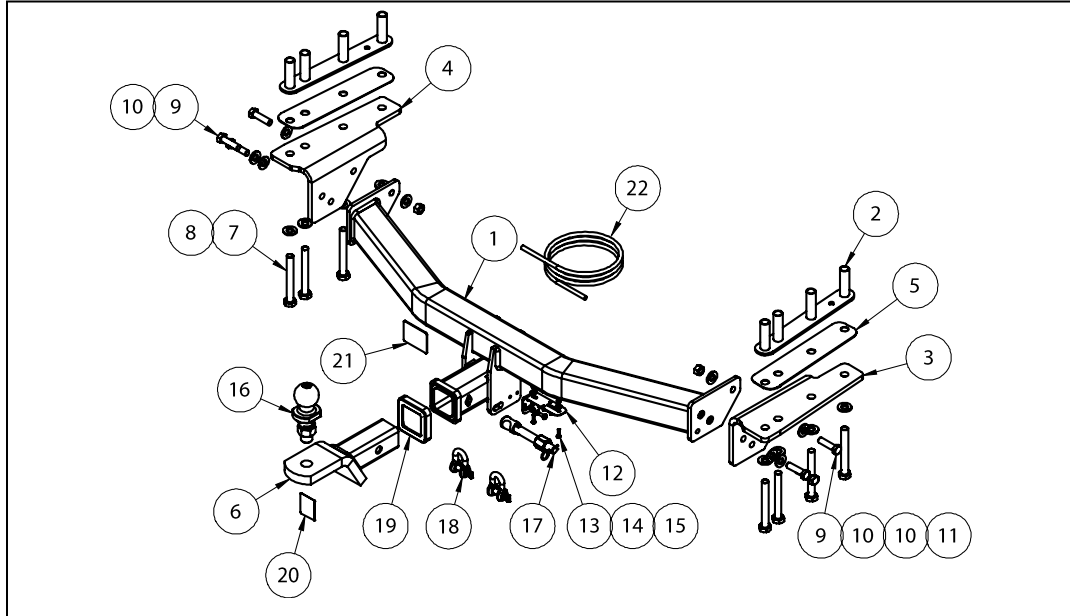
HAYMAN REESE

PART No: 03173RW

LAND ROVER DISCOVERY SPORT L550

INSTALLATION INSTRUCTIONS

PLEASE ENSURE THAT INSTRUCTIONS ARE UNDERSTOOD PRIOR TO FITMENT
PLACE THESE INSTRUCTIONS IN THE VEHICLE'S GLOVEBOX AFTER INSTALLATION IS COMPLETED



ITEM NO.	DESCRIPTION	QTY.
1	TOWBAR WELDED ASSEMBLY	1
2	CHASSIS RAIL BRACKET	2
3	SIDE ARM – RHS	1
4	SIDE ARM – LHS	1
5	WASHER PLATE	2
6	CLASS 4 TBM ASSY	1
7	BOLT STD THREAD M14x110	8
8	FT WASHER M14x28x3 Z/P	8
9	SET SCREW M12x45x1.25P G10.9	6
10	WASHER FLAT 1/2"x1 1/8"x1/8"	8
11	NUT HEX PC8 M12x1.25	2
12	UNIVERSAL PLUG BRACKET KIT	1
13	SCREW PAN XR MTS M4-0.7x16 Z/P	2
14	WASHER/F 3/16 x1/2 Z/P	2
15	NUT NYLOC M4-0.7 Z/P	2
16	HR TOWBALL	1
17	ANTI-RATTLE PULL PIN ASSY GOLD	1
18	10mm "D" SHACKLE	2
19	HITCH BOX COLLAR COVER	1
20	H.R STICKER	1
21	ACRYLIC COMPLIANCE PLATE	1
22	WIRING LOOM	1

Hayman Reese (Cequent)
PO Box 4050, Dandenong South VIC 3164
Phone 1800 812 017 Email info@haymanreese.com.au

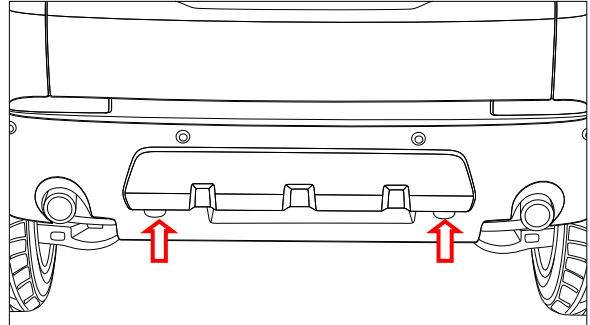
www.haymanreese.com.au



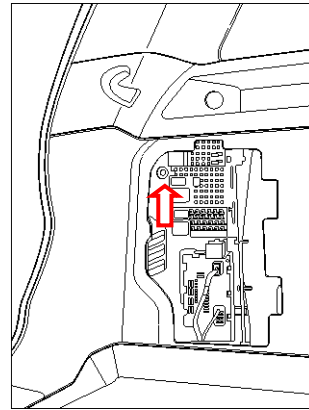
HAYMAN REESE
PART No: 03173RW
LAND ROVER DISCOVERY SPORT L550
INSTALLATION INSTRUCTIONS

PLEASE ENSURE THAT INSTRUCTIONS ARE UNDERSTOOD PRIOR TO FITMENT
PLACE THESE INSTRUCTIONS IN THE VEHICLE'S GLOVEBOX AFTER INSTALLATION IS COMPLETED

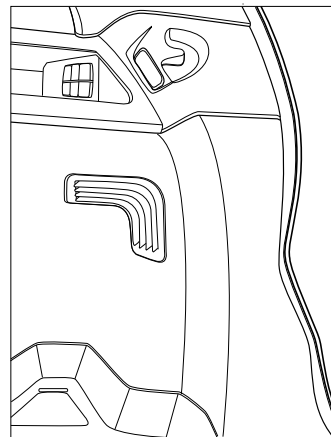
1. Remove 2 x Hex head Screws from underside of rear bumper panel.



2. Remove left panel from interior boot trim. Remove spring loaded Screw securing left tail light assembly.



3. Remove vent from right side of interior boot trim. Remove spring loaded Screw securing right tail light assembly.



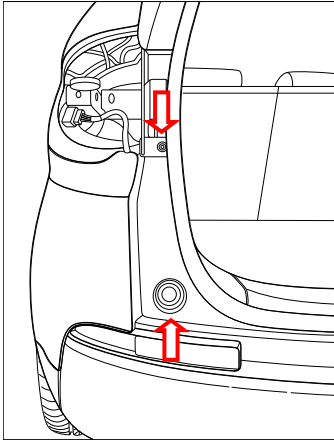
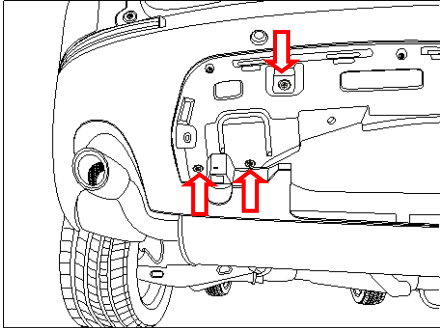
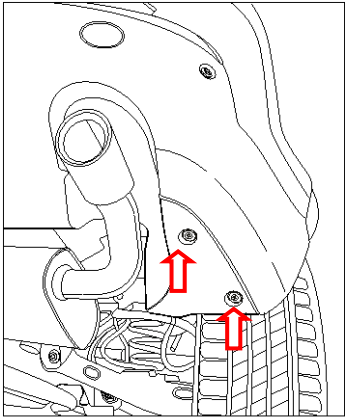
Hayman Reese (Cequent)
PO Box 4050, Dandenong South VIC 3164
Phone 1800 812 017 Email info@haymanreese.com.au

www.haymanreese.com.au



HAYMAN REESE
PART No: 03173RW
LAND ROVER DISCOVERY SPORT L550
INSTALLATION INSTRUCTIONS

PLEASE ENSURE THAT INSTRUCTIONS ARE UNDERSTOOD PRIOR TO FITMENT
PLACE THESE INSTRUCTIONS IN THE VEHICLE'S GLOVEBOX AFTER INSTALLATION IS COMPLETED

<p>4. Remove both tail light assemblies; disconnect wiring during removal.</p> <p>5. Remove 1 x Screw from under tail light assembly.</p> <p>Repeat for opposite side of vehicle.</p> <p>6. Remove 2 x Xmas Tree clips from boot cavity.</p>	
<p>7. Remove 6 x Hex head Screws (3 per side) from rear of rear bumper.</p>	
<p>8. Remove 2 x Hex head Screws from under rear bumper, behind rear wheel arch.</p> <p>Repeat for opposite side of vehicle.</p>	

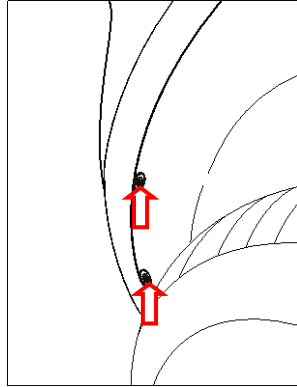
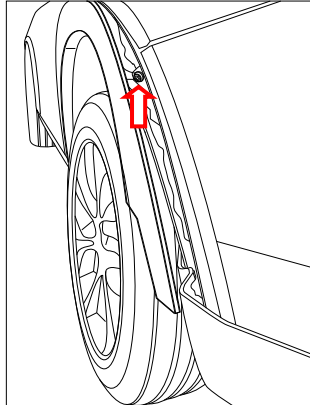
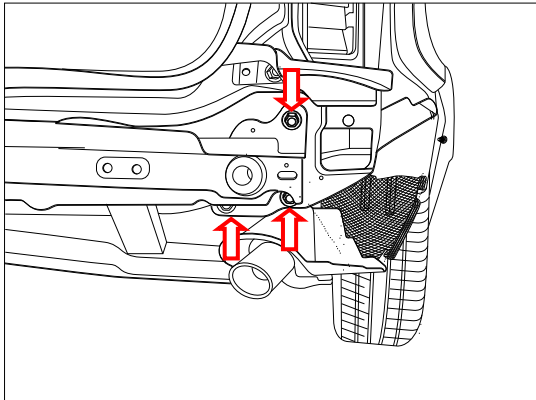
Hayman Reese (Cequent)
PO Box 4050, Dandenong South VIC 3164
Phone 1800 812 017 Email info@haymanreese.com.au

www.haymanreese.com.au



HAYMAN REESE
PART No: 03173RW
LAND ROVER DISCOVERY SPORT L550
INSTALLATION INSTRUCTIONS

PLEASE ENSURE THAT INSTRUCTIONS ARE UNDERSTOOD PRIOR TO FITMENT
PLACE THESE INSTRUCTIONS IN THE VEHICLE'S GLOVEBOX AFTER INSTALLATION IS COMPLETED

<p>9. Remove 2 x Screws from within rear wheel arch. Repeat for opposite side of vehicle.</p>	
<p>10. Partly remove rear wheel arch trim; remove 1 x Hex head Screw from top corner of rear bumper. Repeat for opposite side of vehicle.</p> <p>11. Carefully unclip and remove rear bumper; disconnect parking sensor loom during this process.</p>	
<p>12. Remove 6 x Bolts (3 per side) securing rear impact beam. Remove and retain rear impact beam.</p>	

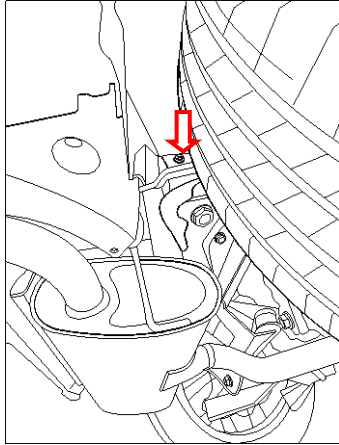
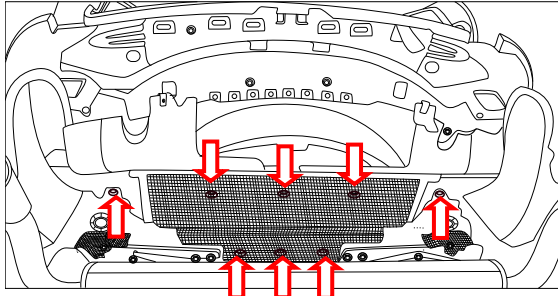
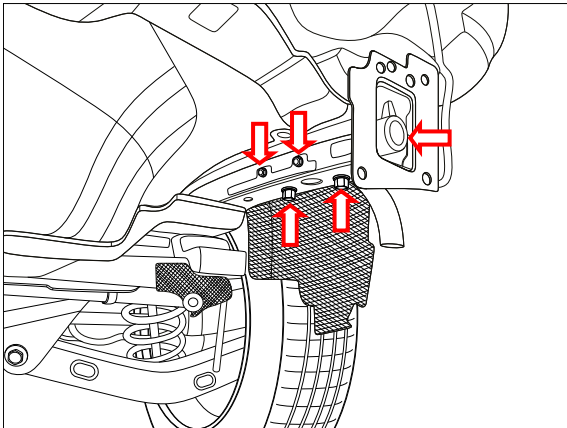
Hayman Reese (Cequent)
PO Box 4050, Dandenong South VIC 3164
Phone 1800 812 017 Email info@haymanreese.com.au

www.haymanreese.com.au



HAYMAN REESE
PART No: 03173RW
LAND ROVER DISCOVERY SPORT L550
INSTALLATION INSTRUCTIONS

PLEASE ENSURE THAT INSTRUCTIONS ARE UNDERSTOOD PRIOR TO FITMENT
PLACE THESE INSTRUCTIONS IN THE VEHICLE'S GLOVEBOX AFTER INSTALLATION IS COMPLETED

<p>13. Remove 1 x Hex head Screw from exhaust mount bracket.</p> <p>Repeat for opposite side of vehicle.</p> <p>14. Unhook exhaust mount brackets and lower rear section of exhaust.</p> <p>Note: Support will be required for exhaust.</p>	
<p>15. Remove 8 x Heat shield clips from underside of underbody cladding; remove and retain underbody cladding.</p>	
<p>16. Remove and retain 2 x Nuts securing underbody cladding bracket to inside face of chassis rail. Remove and retain underbody cladding bracket.</p> <p>Repeat for opposite side of vehicle.</p> <p>17. Remove and discard 2 x Hex head Bolts securing factory tow hook from right hand chassis rail. Remove and discard factory tow hook.</p>	

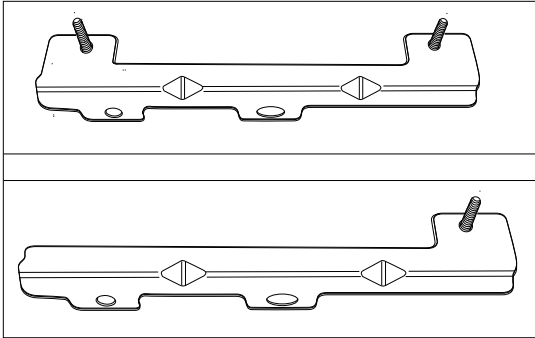
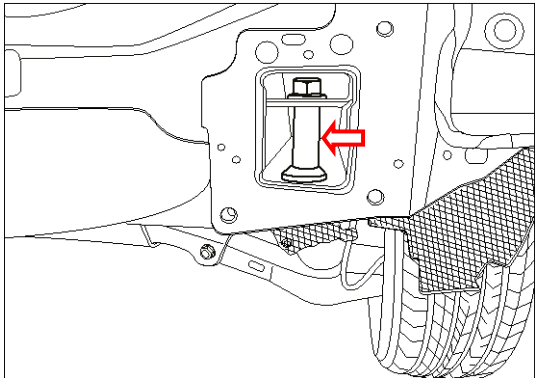
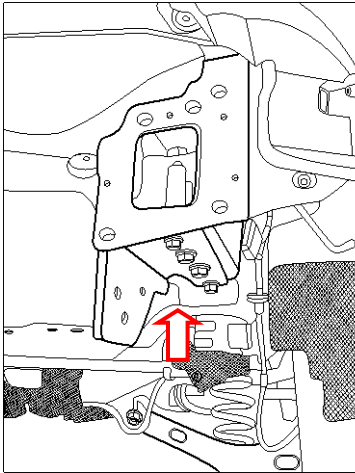
Hayman Reese (Cequent)
PO Box 4050, Dandenong South VIC 3164
Phone 1800 812 017 Email info@haymanreese.com.au

www.haymanreese.com.au



HAYMAN REESE
PART No: 03173RW
LAND ROVER DISCOVERY SPORT L550
INSTALLATION INSTRUCTIONS

PLEASE ENSURE THAT INSTRUCTIONS ARE UNDERSTOOD PRIOR TO FITMENT
PLACE THESE INSTRUCTIONS IN THE VEHICLE'S GLOVEBOX AFTER INSTALLATION IS COMPLETED

<p>18. Cut rear most stud from both underbody cladding brackets.</p>	
<p>19. Insert chassis rail bracket into chassis rail.</p> <p>Repeat for opposite side of vehicle.</p>	
<p>20. Loosely secure side arm to underside of chassis rail, complete with Washer Plate, using 4 x M14 Bolts, complete with 1 x Flat Washer per Bolt.</p> <p>Repeat for opposite side of vehicle.</p>	

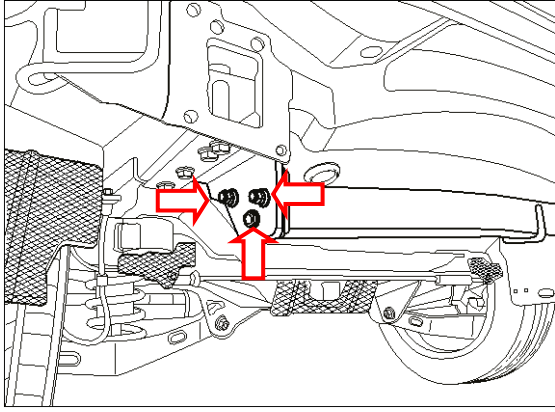
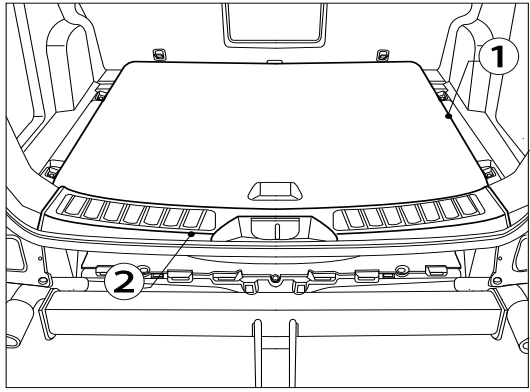
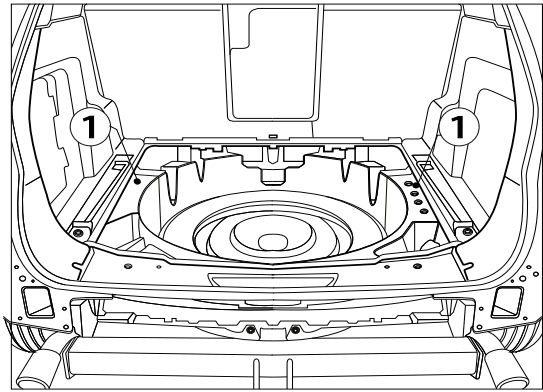
Hayman Reese (Cequent)
PO Box 4050, Dandenong South VIC 3164
Phone 1800 812 017 Email info@haymanreese.com.au

www.haymanreese.com.au



HAYMAN REESE
PART No: 03173RW
LAND ROVER DISCOVERY SPORT L550
INSTALLATION INSTRUCTIONS

PLEASE ENSURE THAT INSTRUCTIONS ARE UNDERSTOOD PRIOR TO FITMENT
PLACE THESE INSTRUCTIONS IN THE VEHICLE'S GLOVEBOX AFTER INSTALLATION IS COMPLETED

<p>21. Loosely secure Towbar welded assembly to side arms using 3 x M12 Hex head Screws per side.</p> <p>Use 1 x Flat Washer per Set Screw for the two rear most Screws, and 2x Flat Washers and 1 x Hex Nut for the forward most screw.</p> <p>22. Tighten the M12 AND M14 fasteners to 125N.m.</p>	
<p>23. Gain access to the rear of the vehicle, remove the luggage compartment floor trim (1).</p> <p>24. Remove the luggage compartment rear trim (2).</p>	
<p>25. Remove the LHS and RHS tool trays (1).</p>	

Hayman Reese (Cequent)
PO Box 4050, Dandenong South VIC 3164
Phone 1800 812 017 Email info@haymanreese.com.au

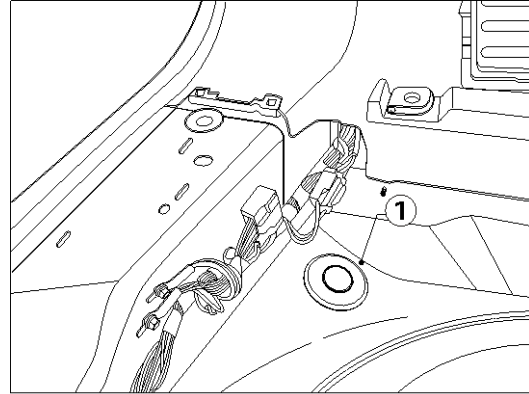
www.haymanreese.com.au



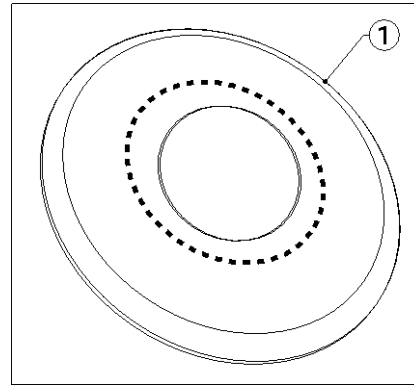
HAYMAN REESE
PART No: 03173RW
LAND ROVER DISCOVERY SPORT L550
INSTALLATION INSTRUCTIONS

PLEASE ENSURE THAT INSTRUCTIONS ARE UNDERSTOOD PRIOR TO FITMENT
PLACE THESE INSTRUCTIONS IN THE VEHICLE'S GLOVEBOX AFTER INSTALLATION IS COMPLETED

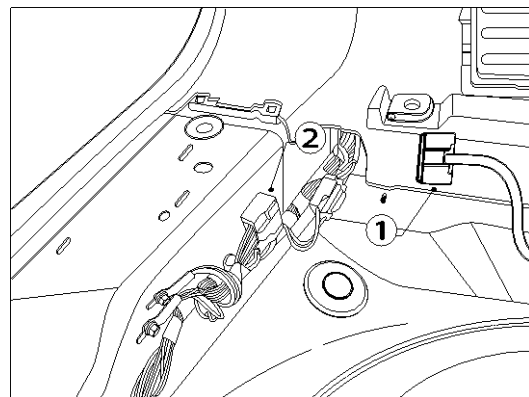
26. On the LHS of the spare wheel well, locate and remove the vehicle grommet (1).



27. Cut a Ø30mm hole into the center of the grommet (1). Refit grommet (1) after cutting.



28. Connect the trailer patch (P/No: 101409-WL) 13-way connector (1) to the vehicle breakout connector (2).



Hayman Reese (Cequent)
PO Box 4050, Dandenong South VIC 3164
Phone 1800 812 017 Email info@haymanreese.com.au

www.haymanreese.com.au



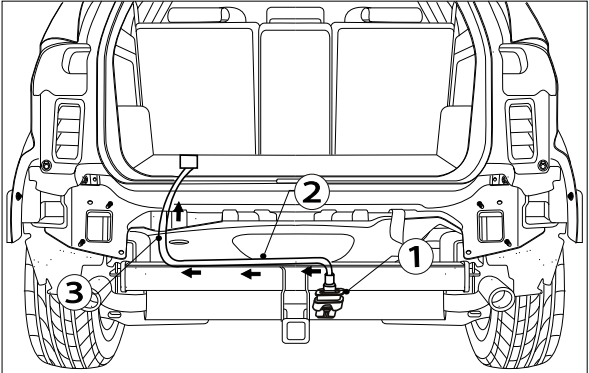
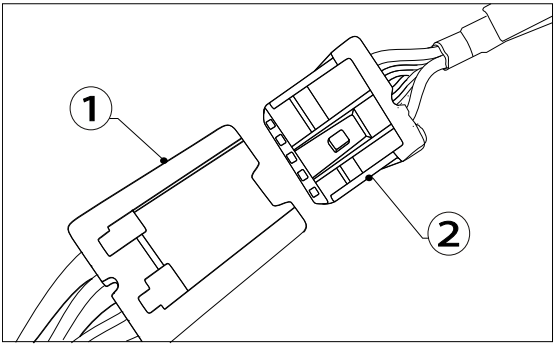
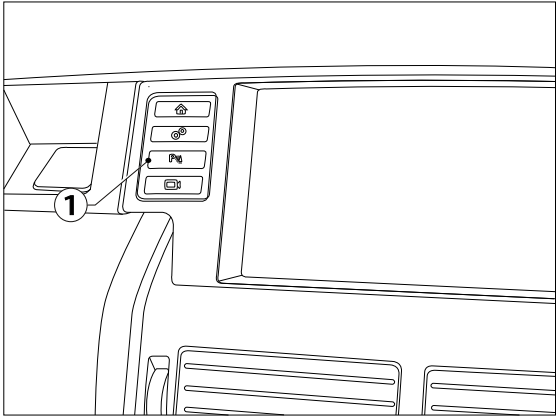
HAYMAN REESE

PART No: 03173RW

LAND ROVER DISCOVERY SPORT L550

INSTALLATION INSTRUCTIONS

**PLEASE ENSURE THAT INSTRUCTIONS ARE UNDERSTOOD PRIOR TO FITMENT
PLACE THESE INSTRUCTIONS IN THE VEHICLE'S GLOVEBOX AFTER INSTALLATION IS COMPLETED**

<p>29. At the rear exterior of the vehicle, mount the tail harness socket (1) to the tow bar mounting bracket using M4 fasteners (not supplied).</p> <p>30. Route the tail harness (tail length: 1200mm) (2) across the LHS and up into the previously cut out grommet (3). Adjust the trailer patch harness grommet (3) so that it is seated correctly and cable tie (not supplied) in place.</p> <p>31. Seal the cut out grommet (3) with silicone (not supplied) after routing.</p>	
<p>32. Connect the tail harness (tail length 1200mm) 8- way connector (1) to the trailer patch mating 8-way connector (2).</p>	
<p>33. Refit tail lights.</p> <p>34. Test the trailer patch function using a light board or multi-meter.</p> <p>35. Secure all harnesses using cable ties (not supplied).</p> <p>36. Re-fit all removed parts and secure all fasteners, ensuring there are no squeaks or rattles.</p> <p>37. Place the fitting instructions in the glove box after fitment.</p> <p>38. The park assist can be disabled via a switch (1) on the dash.</p>	

Hayman Reese (Cequent)
 PO Box 4050, Dandenong South VIC 3164
 Phone 1800 812 017 Email info@haymanreese.com.au

www.haymanreese.com.au



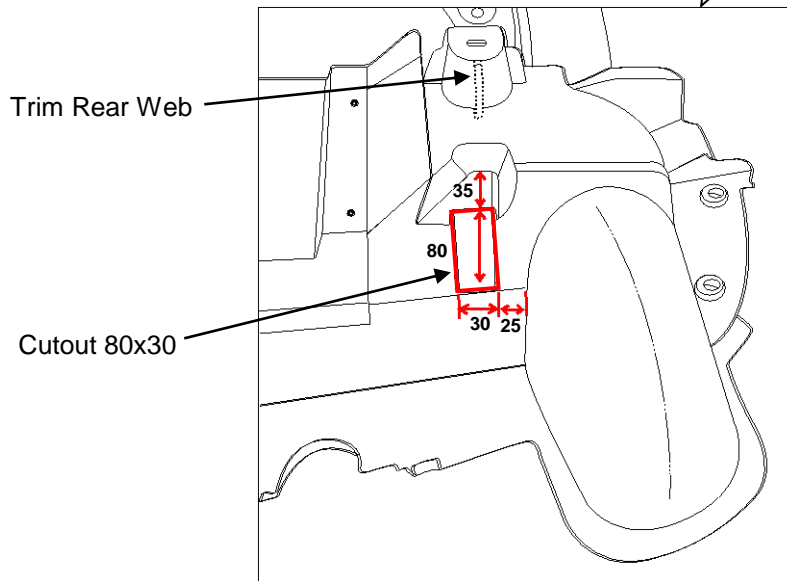
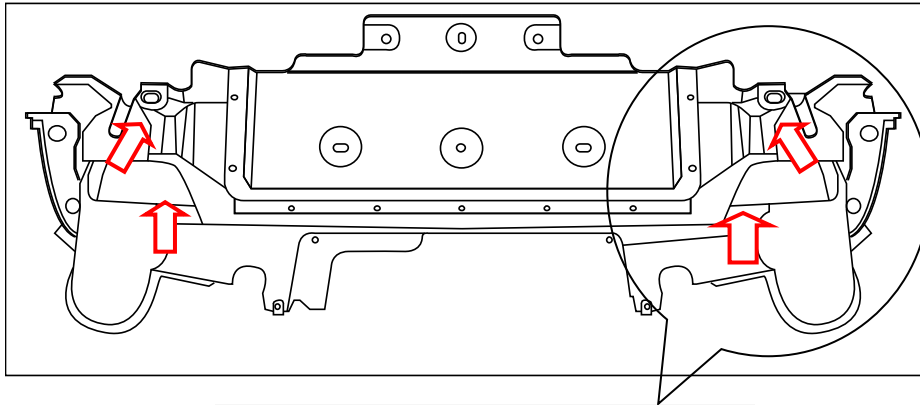
HAYMAN REESE
PART No: 03173RW
LAND ROVER DISCOVERY SPORT L550
INSTALLATION INSTRUCTIONS

PLEASE ENSURE THAT INSTRUCTIONS ARE UNDERSTOOD PRIOR TO FITMENT
PLACE THESE INSTRUCTIONS IN THE VEHICLE'S GLOVEBOX AFTER INSTALLATION IS COMPLETED

39. On underbody cladding, trim rear web of outermost mounting points.

Cut out a rectangular hole 80mm tall x 30mm wide as shown in figures below for both sides.

Important: Markout cuts and validate against vehicle prior to making cutouts.



Hayman Reese (Cequent)
PO Box 4050, Dandenong South VIC 3164
Phone 1800 812 017 Email info@haymanreese.com.au

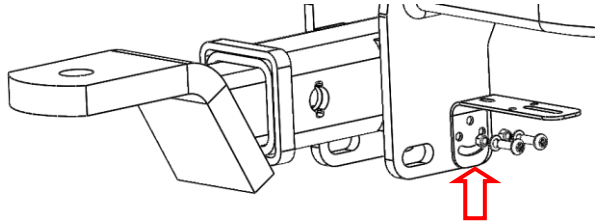
www.haymanreese.com.au



HAYMAN REESE
PART No: 03173RW
LAND ROVER DISCOVERY SPORT L550
INSTALLATION INSTRUCTIONS

PLEASE ENSURE THAT INSTRUCTIONS ARE UNDERSTOOD PRIOR TO FITMENT
PLACE THESE INSTRUCTIONS IN THE VEHICLE'S GLOVEBOX AFTER INSTALLATION IS COMPLETED

40. Reinstall the underbody cladding, exhaust mounts, rear impact beam and bumper following steps 1 to 16 in reverse order.
41. Install plug bracket onto 2 holes on centre section of Towbar using 2 x M5 Screws, complete with 1 x Flat Washer and 1 x Nyloc Nut per Screw.



Hayman Reese (Cequent)
PO Box 4050, Dandenong South VIC 3164
Phone 1800 812 017 Email info@haymanreese.com.au

www.haymanreese.com.au

