

HAYMAN REESE
PART No: 02854RW
VOLKSWAGEN TOUAREG SUV V6 WGN 07 / 2011 – on
(DIESEL & PETROL)

INSTALLATION INSTRUCTIONS

PLEASE ENSURE THAT INSTRUCTIONS ARE UNDERSTOOD PRIOR TO FITMENT



Towbar Installation Instructions

VOLKSWAGEN TOUAREG SUV V6 WGN 07 / 2011 - on
(DIESEL & PETROL)

Part Number 02854RW

Towbar Capacity

Max Towing Braked 3500 kg

Max Static Ball Load 350 kg

Hayman Reese (Cequent)
PO Box 4050, Dandenong South VIC 3164
Phone 1800 812 017 Email info@haymanreese.com.au

HAYMAN REESE
PART No: 02854RW
VOLKSWAGEN TOUAREG SUV V6 WGN 07 / 2011 - on
INSTALLATION INSTRUCTIONS

PLEASE ENSURE THAT INSTRUCTIONS ARE UNDERSTOOD PRIOR TO FITMENT

Warning:

Do not, drill, cut, weld or otherwise modify the towbar.

If you are using electric welding on a motor vehicle, **always** check that the vehicle is not equipped with electronic engine or instrument management equipment. Failure to do so could **destroy** any onboard computers. If in doubt, check with the vehicle's manufacturer.

General:

1. Ensure all hardware items have been included refer to assembly diagram.
2. It is recommended that the instructions are read through and completely understood before making any attempt to fit this product.
3. Be wary of any changes to vehicle designs or other accessories that may conflict with the installation of this product.
4. Before drilling ensure that the area is clear of fuel, electrical & other components.
5. All holes drilled into the body panels shall have all burrs & swarf removed then coated with a suitable rust preventative paint.
6. The high tensile fasteners supplied with this product were used to achieve the specified rating. If replacement is required ensure that fasteners of the same rating & quality are used. Contact an authorised **Hayman Reese** dealer if further information is required.
7. Ensure that all hardware is fastened to torque list below check fasteners on regular basis.
8. Towbar load rating sticker provided with this product shall be conspicuously located on inside rear end of the driver's door. **(See diagram below).**
9. Hayman Reese recommends that you check your tow ball to ensure that it complies with the Australian standards **AS 4177.2**.
10. **PLEASE NOTE:** It is advised to remove your lug or tbn when not actually towing so as to produce a clear view of the vehicles registration plate if obscured, and to also provide maximum available departure angle.

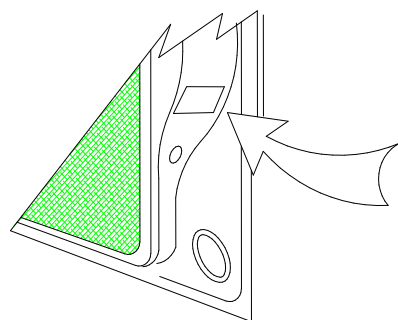
Tow bar Maintenance and Care.

Hayman Reese recommends that bolt torque's, as listed below, are routinely and regularly inspected and checked for correct tension. Replace any worn or defective parts.

We recommended to remove Tow Ball Mounts (TBM's, tongues or lugs) when not being used for any considerable length of time.

So as to avoid injury, when not towing it is suggested that the tongue, Pull Pin and R-clip are removed then stored in a safe, clean and dry place, away from excessive moisture.

Hitch Pull Pins and spring "R" clips are regularly checked for proper installation. Replace any worn or defective parts.



Place load rating sticker
inside driver's door here

RECOMMENDED ASSEMBLY TORQUE LISTING

Diameter Grade 8.8 Bolt

M6	9.5 Nm
M8	21.7 Nm
M10	43.4 Nm
M12	77.3 Nm
M14	146 Nm
M16	189.8 Nm

FOR TOWING PURPOSES ONLY

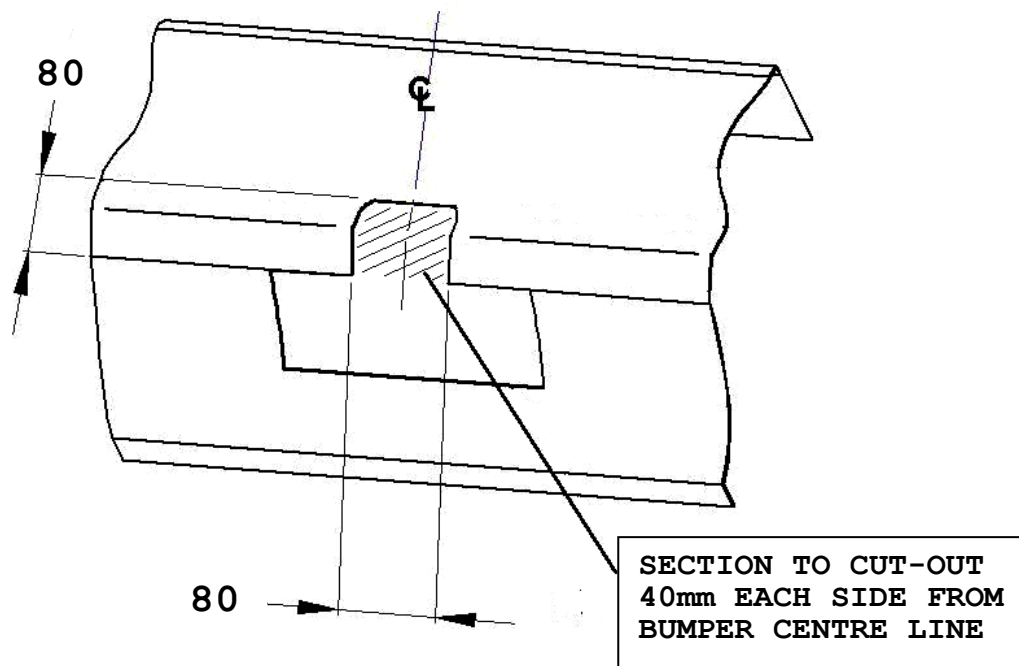
For towing capacity details please refer to vehicle owner's manual
or to the manufacturer. Overloading can void your warranties.

HAYMAN REESE
PART No: 02854RW
VOLKSWAGEN TOUAREG SUV V6 WGN 07 / 2011 - on
INSTALLATION INSTRUCTIONS

PLEASE ENSURE THAT INSTRUCTIONS ARE UNDERSTOOD PRIOR TO FITMENT

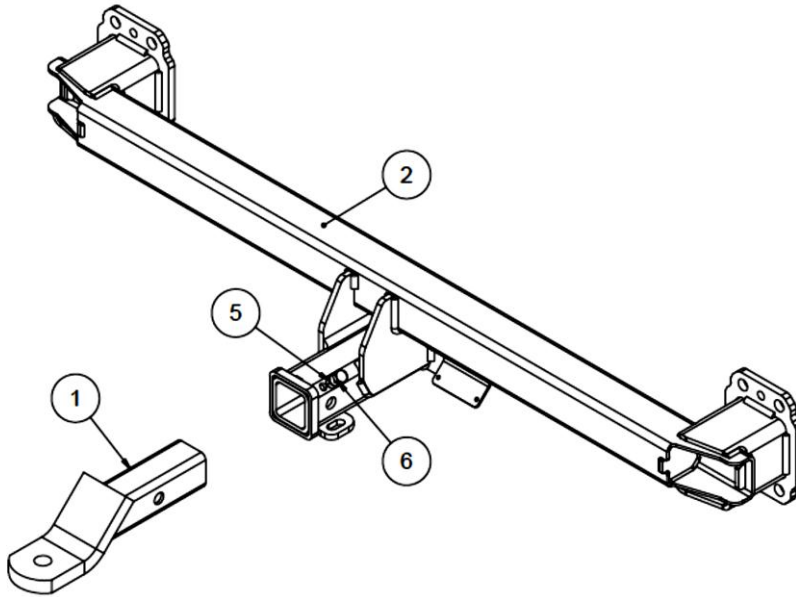
DOES NOT FIT VEHICLES FITTED WITH A SPARE WHEEL CARRIER, AS THERE IS NOWHERE TO INSTALL THE NUMBER PLATE.

1. Ensure all hardware items have been included.
2. Remove 2 x trim plugs from tail light trim, 2 x torx head screws per side and remove tail lights. (Some model variations to remove the taillights will need to have the rear trim cover from both the LH & RH side removed and then a plastic nut removed from both the LH & RH side.)
3. Remove 4 x torx head screws from below tail lights.
4. Remove all other torx head screws along bottom edge of bumper.
5. Remove bumper, rearward, disengaging from bumper 'T' slides either side.
6. **Note:** Disconnect reversing sensor loom, 2 wiring plugs.
7. Remove impact beam, retaining the bolts and washers.
8. Remove foam support from impact beam. Retain foam support and discard impact beam
9. **Note:** This is held by adhesive and will have to be cut free.
10. Fit towbar with original bolts.
11. Refit foam support on top of towbar.
12. Tighten all to torque listing below.
13. Cut bumper as per diagram below.
14. Refit bumper in reverse Steps 5 to 2.
15. Tighten all bolts to torque listing below.
16. Towbar rating sticker to be conspicuously located on inside rear end of the driver's door. (see diagram above)

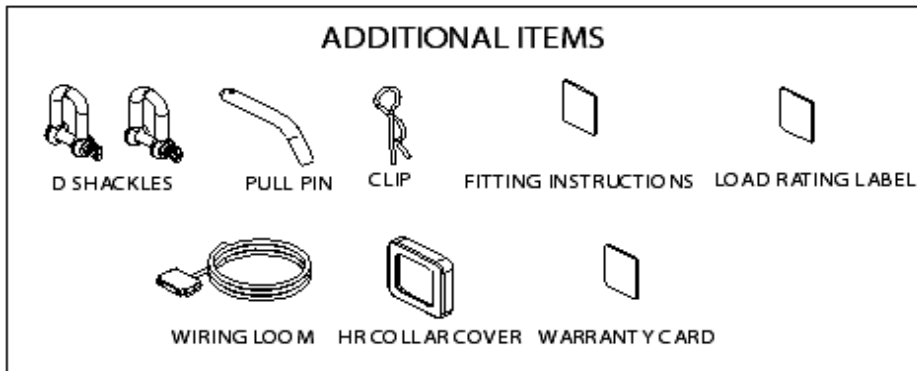


HAYMAN REESE
PART No: 02854RW
VOLKSWAGEN TOUAREG SUV V6 WGN 07/2011 - on
INSTALLATION INSTRUCTIONS

PLEASE ENSURE THAT INSTRUCTIONS ARE UNDERSTOOD PRIOR TO FITMENT



QTY.	DESCRIPTION	ITEM NO.
1	T.B.MOUNT 21161	1
1	WELDED ASSEMBLY	2
1	BOLT PACK	3
1	Bag CK 250x250 Clear	4
1	NUT M10 x 1.5P	5
1	M10 x 25 1.5P BOLT	6



HAYMAN REESE
PART No: 100726-WL
VOLKSWAGEN TOUAREG
(MY11 – Onwards)

INSTALLATION INSTRUCTIONS

PLEASE ENSURE THAT INSTRUCTIONS ARE UNDERSTOOD PRIOR TO FITMENT

Wiring Loom Installation Instructions

VOLKSWAGEN TOUAREG
(MY11 – Onwards)
Part No: 100726-WL
ECU: 04834 (2011 – 2012)
ECU: 04838 (2013 – Onwards)

Tail Harness Length Required: 1200mm

Note: Factory RPA cannot be overridden, however it can be disabled through a switch on the vehicle dash.

Note: Whilst towing, ensure the 'i stop' feature on the vehicle is disabled.

Wiring Loom Installation Time: Approx 50 Mins

Issue Date 11-04-13

Page 1

Part No: 100726-WL

Hayman Reese (Cequent)
PO Box 4050, Dandenong South VIC 3164
Phone 1800 812 017 Email info@haymanreese.com.au

www.haymanreese.com.au



HAYMAN REESE
PART No: 100726-WL
VOLKSWAGEN TOUAREG
(MY11 – Onwards)

INSTALLATION INSTRUCTIONS

PLEASE ENSURE THAT INSTRUCTIONS ARE UNDERSTOOD PRIOR TO FITMENT

1. In the luggage compartment, fold the rear seats (1) down flat.



2. Remove the parcel shelf.
3. Remove the carpet floor cover (1).



4. Remove the luggage compartment rear trim by first removing the six clips (1).



Issue Date 11-04-13

Page 2

Part No: 100726-WL

Hayman Reese (Cequent)
PO Box 4050, Dandenong South VIC 3164
Phone 1800 812 017 Email info@haymanreese.com.au

www.haymanreese.com.au

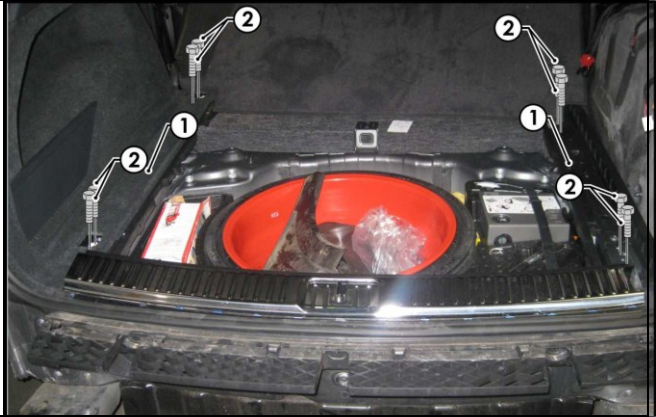


HAYMAN REESE
PART No: 100726-WL
VOLKSWAGEN TOUAREG
(MY11 – Onwards)

INSTALLATION INSTRUCTIONS

PLEASE ENSURE THAT INSTRUCTIONS ARE UNDERSTOOD PRIOR TO FITMENT

5. Remove the LHS & RHS side rail cover (1) by first removing the 8 bolts (2).



6. On the LHS of the rear passenger side, dislodge the upper C-Pillar trim (1).

Repeat for the RHS.



7. On the LHS of the luggage compartment, remove the upper D-Pillar trim (1) by first removing the screw (2).

Repeat for the RHS.



Issue Date 11-04-13

Page 3

Part No: 100726-WL

Hayman Reese (Cequent)
PO Box 4050, Dandenong South VIC 3164
Phone 1800 812 017 Email info@haymanreese.com.au

www.haymanreese.com.au



HAYMAN REESE
PART No: 100726-WL
VOLKSWAGEN TOUAREG
(MY11 – Onwards)

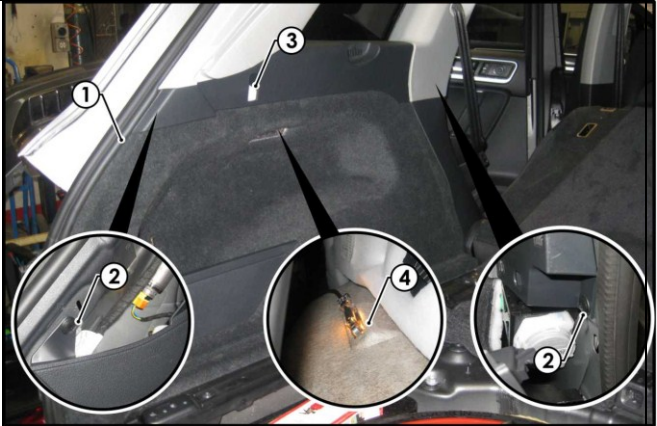
INSTALLATION INSTRUCTIONS

PLEASE ENSURE THAT INSTRUCTIONS ARE UNDERSTOOD PRIOR TO FITMENT

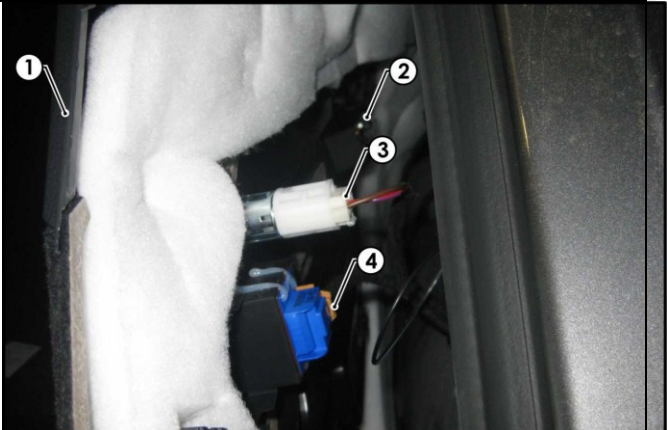
8. Dislodge the LHS luggage compartment trim (1) by first removing the two scrivets (2).

Repeat for the RHS.

9. Remove the screw (3).
 10. Disconnect the light connector (4).

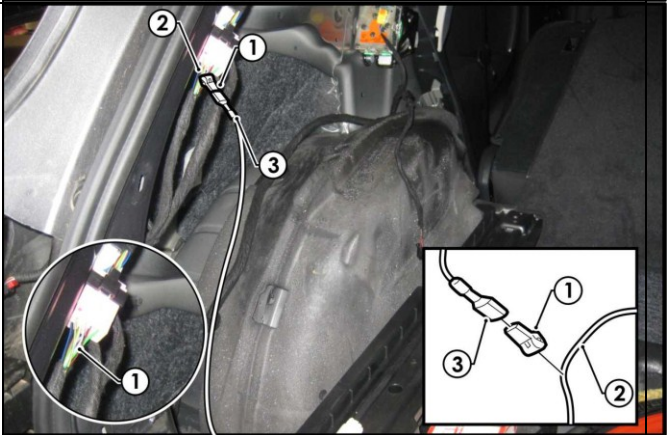


11. On the RHS of the luggage compartment, dislodge the lower RHS luggage trim (1) by first disconnecting the light connector (2), the 12 volt connector (3) and the rear seat control connector (4).



12. On the LHS of the luggage compartment, following the table below, connect the ezy tap (1) to the vehicle's existing wiring harness (2).
 13. Connect the trailer harness terminal (3) to the corresponding ezy-tap (1).

Function	Trailer Patch	Vehicle Connector
L.IND	YELLOW / BLACK	BLACK / WHITE



Issue Date 11-04-13

Page 4

Part No: 100726-WL

Hayman Reese (Cequent)
 PO Box 4050, Dandenong South VIC 3164
 Phone 1800 812 017 Email info@haymanreese.com.au

HAYMAN REESE
PART No: 100726-WL
VOLKSWAGEN TOUAREG
(MY11 – Onwards)

INSTALLATION INSTRUCTIONS

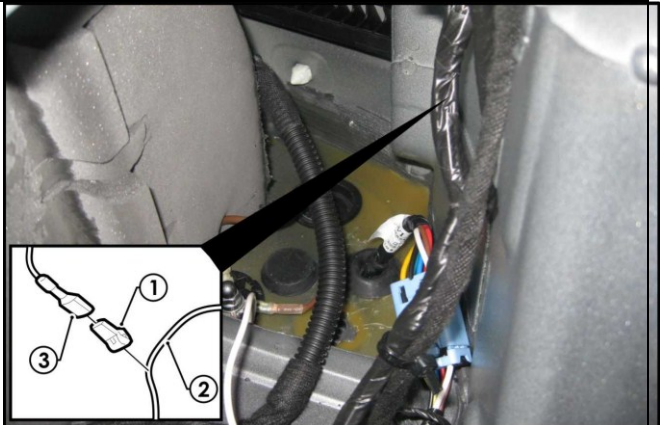
PLEASE ENSURE THAT INSTRUCTIONS ARE UNDERSTOOD PRIOR TO FITMENT

14. Route the trailer harness (P/No: 100726-WL) (1) along the rear and towards the RHS of the vehicle.



15. On the RHS of the luggage compartment, following the table below, connect the ezy-tap (1) to the vehicle's existing wiring harness (2).
 16. Connect the trailer harness terminals (3) to the corresponding ezy-taps (1).

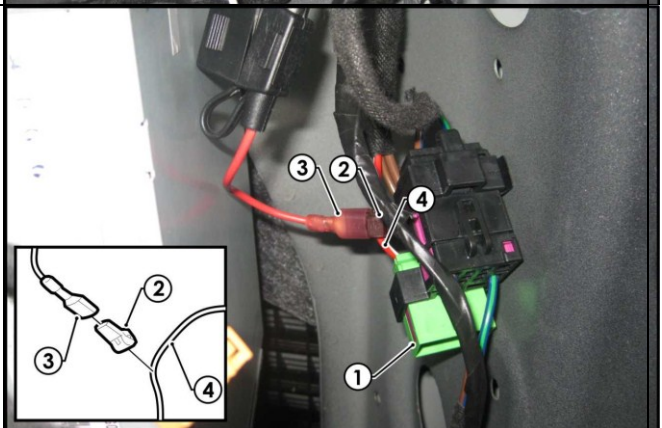
Function	Trailer Patch	Vehicle Connector
R.IND	GREEN / BLACK	BLACK / GREEN
REVERSE	BLACK / WHITE	BLACK / WHITE
TAIL / BRAKES	BROWN / BLACK	BLACK / RED



If the vehicle connectors are not present, proceed to step 20.

17. Locate the vehicle green connector (1).
 18. Following the table below, connect the ezy-tap (2) to the vehicle's existing wiring harness (3).
 19. Connect the trailer harness terminal (4) to the corresponding ezy tap (2).

Function	Trailer Patch	Vehicle Connector
POWER	ORANGE	RED



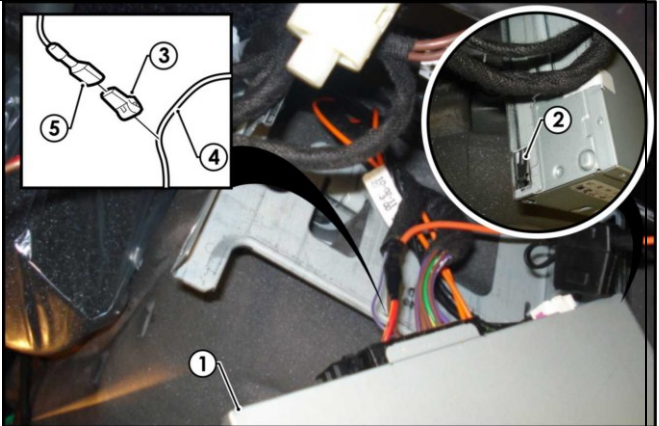
HAYMAN REESE
PART No: 100726-WL
VOLKSWAGEN TOUAREG
(MY11 – Onwards)

INSTALLATION INSTRUCTIONS

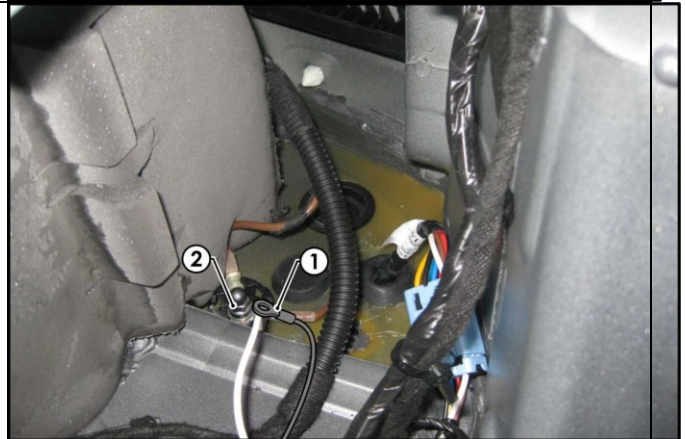
PLEASE ENSURE THAT INSTRUCTIONS ARE UNDERSTOOD PRIOR TO FITMENT

20. Locate the module (1) in the rear luggage compartment.
21. Remove the vehicle module (1) by first removing the two clips (2) and carefully sliding downwards in order to access the connectors.
22. Following the table below, connect the ezy-tap (3) to the vehicle's existing wiring harness (4).
23. Connect the trailer harness terminals (5) to the corresponding ezy-tap (3).

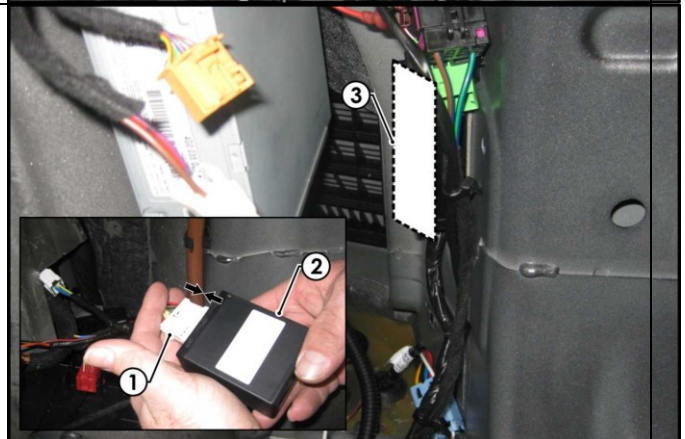
Function	Trailer Patch	Vehicle Connector
POWER	ORANGE	RED / YELLOW



24. Connect the trailer harness ground ring terminal (1) to the vehicle's grounding earth point (2).



25. Connect the 12-way trailer harness connector (1) to the ECU (2).
26. Using the supplied cleaning pad, clean the indicated area on the vehicle's sheet metal (3).
27. Using double sided tape, adhere the ECU securely to the vehicle's sheet metal as shown.



Issue Date 11-04-13

Page 6

Part No: 100726-WL

Hayman Reese (Cequent)
 PO Box 4050, Dandenong South VIC 3164
 Phone 1800 812 017 Email info@haymanreese.com.au

www.haymanreese.com.au



HAYMAN REESE
PART No: 100726-WL
VOLKSWAGEN TOUAREG
(MY11 – Onwards)

INSTALLATION INSTRUCTIONS

PLEASE ENSURE THAT INSTRUCTIONS ARE UNDERSTOOD PRIOR TO FITMENT

28. On the RHS rear quarter panel, remove the existing grommet (1).



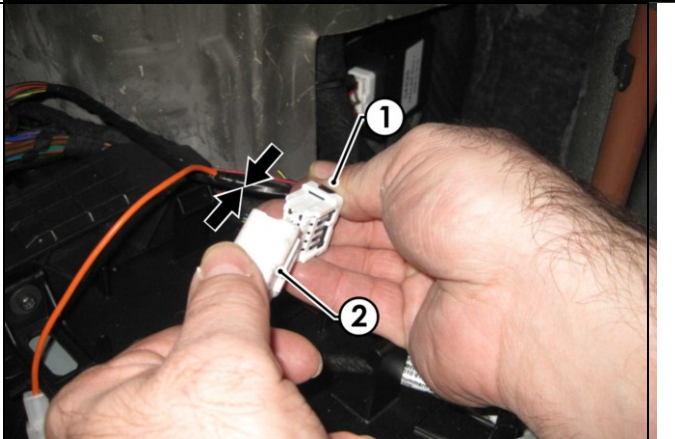
29. Mount the tail harness socket (1) to the towbar mounting bracket using M4 fasteners (not supplied).

30. Route the tail harness (2) up through the vehicle's grommet hole.

31. Ensure the tail harness grommet is seated correctly and secure in place using a cable tie (not supplied).



32. Connect the 8-way tail harness connector (1) to the trailer harness 8-way mating connector (2).



Issue Date 11-04-13

Page 7

Part No: 100726-WL

Hayman Reese (Cequent)
PO Box 4050, Dandenong South VIC 3164
Phone 1800 812 017 Email info@haymanreese.com.au

www.haymanreese.com.au



HAYMAN REESE
PART No: 100726-WL
VOLKSWAGEN TOUAREG
(MY11 – Onwards)

INSTALLATION INSTRUCTIONS

PLEASE ENSURE THAT INSTRUCTIONS ARE UNDERSTOOD PRIOR TO FITMENT

- | | |
|--|--|
| <ol style="list-style-type: none">33. Test the trailer harness function using a light board or multimeter.34. Secure all harness using cable ties (not supplied).35. Re-fit all removed parts and secure all fasteners, ensuring there are no squeaks or rattles.36. Place the instructions in the glove box after fitment. | |
|--|--|

Issue Date 11-04-13

Page 8

Part No: 100726-WL

Hayman Reese (Cequent)
PO Box 4050, Dandenong South VIC 3164
Phone 1800 812 017 Email info@haymanreese.com.au

www.haymanreese.com.au

