

Installation Guide

Front Upper Shock Mount Bushing

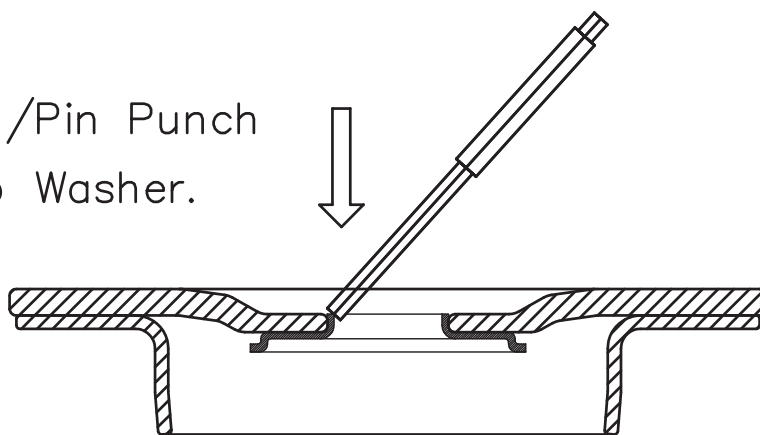
Suits : Chevrolet Colorado RG 4WD/2WD 2012–on.
 : Holden Colorado RG 4WD/2WD 2012–on.
 : Isuzu D–Max RG 4WD/2WD 2012–on.

(Always refer to the current catalogue for complete application listings).

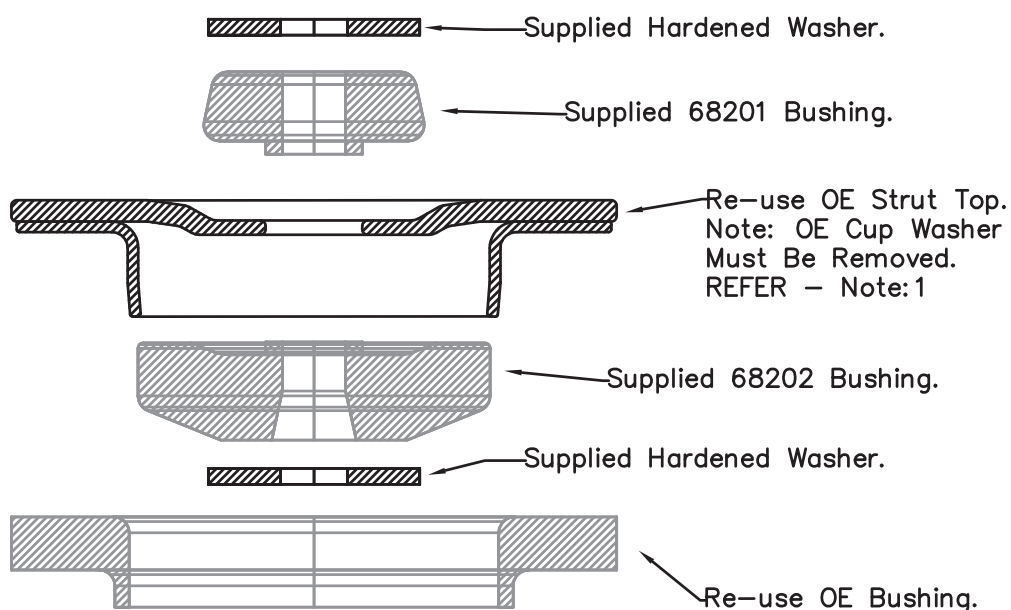
N.B. This install guide should be used in conjunction with the workshop manual.

Note: 1

Using Suitable Roll/Pin Punch
 Knock Out OE Cup Washer.



Note: 2



N.B. It is recommended that a licenced workshop or trades person carry out the above procedure and that workshop manual and relevant safety procedures are followed in addition to the above.