

Installation Guide

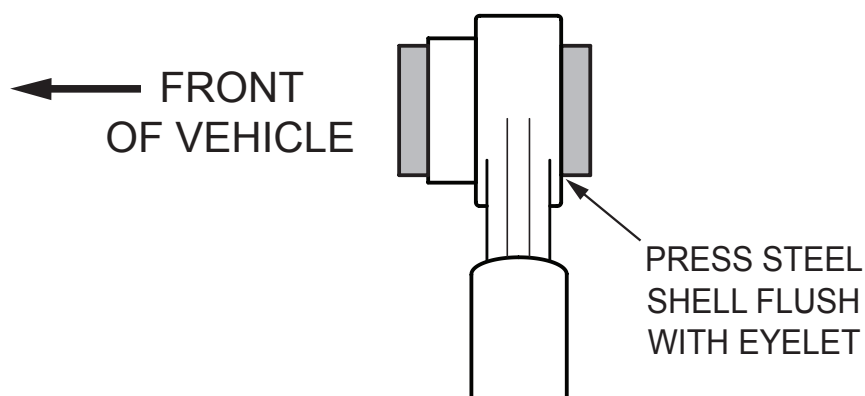
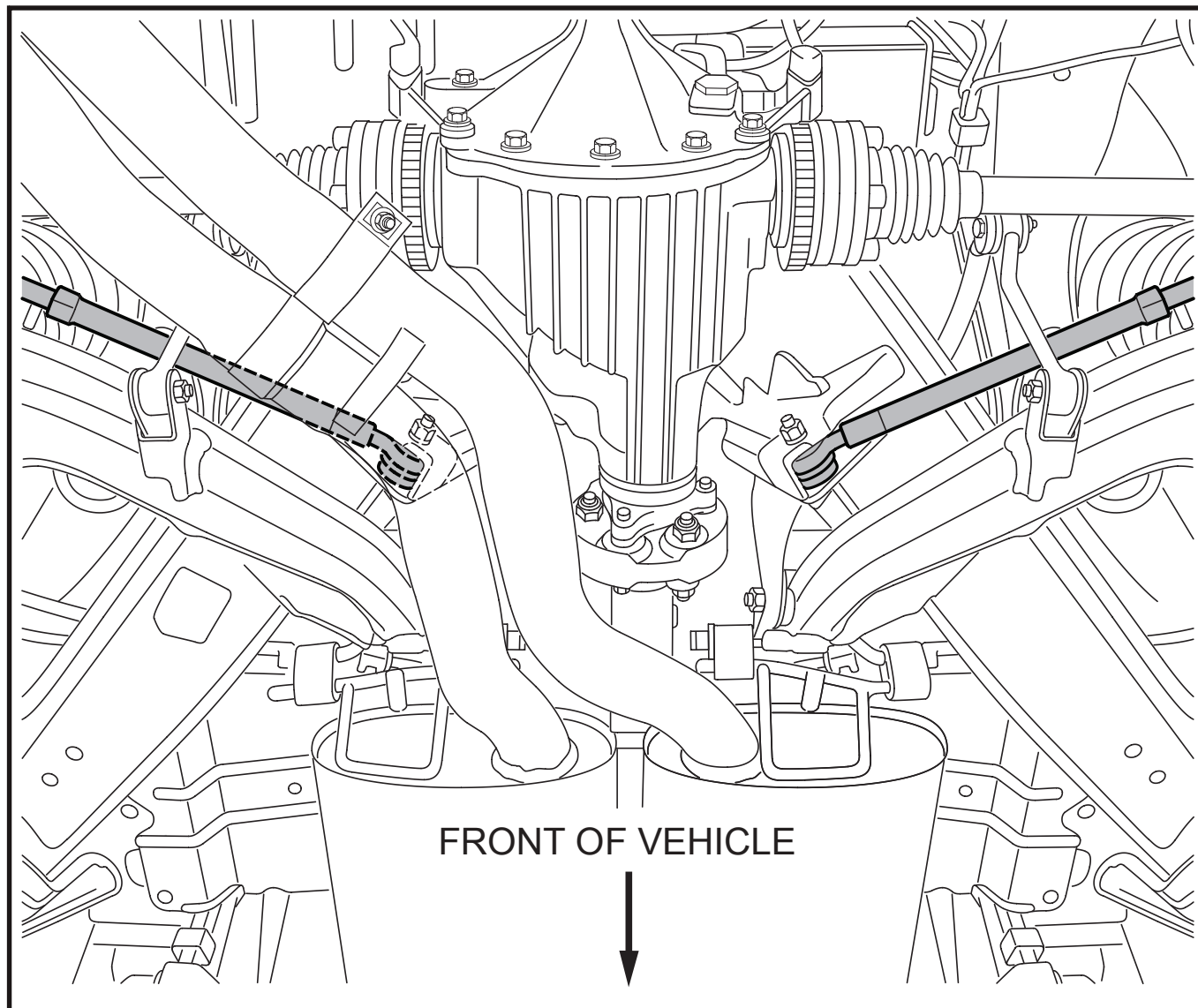
Rear Inner Toe Link Bush

Suits: Holden Commodore VX Series 2 - VZ IRS

(Always refer to the current catalogue for complete application listings)

N.B: These instructions should be used in conjunction with the workshop manual

NOTE: INSTALL BUSH OFFSET TO FRONT OF VEHICLE



N.B: It is recommended that a licenced workshop or trades person carry out the above procedure and that workshop manual and relevant safety procedures are followed in addition to the above.