

Front Control Arm - Rear Bushings

N.B: This instruction sheet should be used in conjunction with the workshop manual and proper safety procedures followed.

- Raise vehicle evenly and safely support with stands.

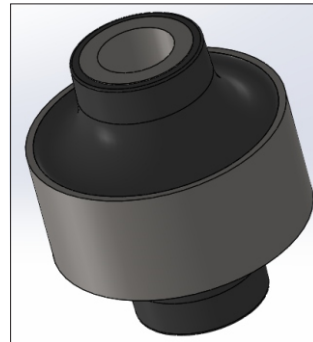
Never rely on a Jack only.

- Proceed to remove front wheels.
- Loosen ball joint nut - but do not remove nut yet. Strike hub with hammer to break taper.
- Un-bolt inner 2 bolts and remove arm from vehicle. If you are not familiar with this kinda work, we suggest servicing only 1 arms at a time.
- A hydraulic Press will be required to press our Vertical bushing (including steel outer shell).
- Press new bushing in centrally in arm.
- Re-fit arm to vehicle and road test.
- Re-check all bolts after 100kms travelled.
- A wheel alignment is required after install - to correct toe settings.

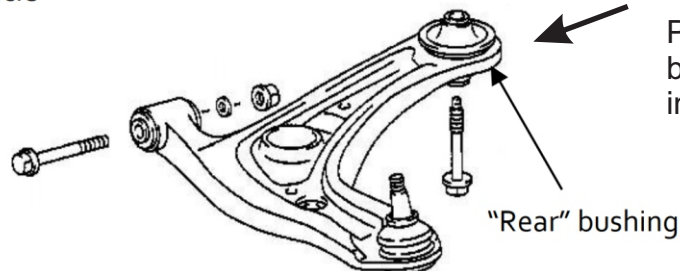
Application - Toyota Echo 1999-2005
- Toyota MR2 1999-2006

Always refer complete catalogue listing

Contents - Vertical bushings 82012 x2



Front of Vehicle



Press new bushing in here

"Rear" bushing

N.B: It is recommended that a licenced workshop or tradesperson carry out the above procedure and that workshop manual and relevant safety procedures are followed in addition to the above.