

ARB BED RACK

Part Number: **1780710**
Product Description: **BED RACK SINGLE MOUNT**
Optional Kit: **1780720 BED RACK TWIN SUPPORT MOUNT**

WARNING

NOTE THE FOLLOWING:

- ◆ Vehicle accessories which are not properly fitted can be dangerous.
- ◆ Please read these instructions carefully prior to fitting, and comply with the instructions at all times.
- ◆ If in any doubt please contact your nearest ARB state office or the stockist from whom it was purchased.
- ◆ Do not use this product for any vehicle make or model, other than those specified by ARB.
- ◆ This product or its fixing must not be modified in any way.
- ◆ The installation of this product may require the use of specialized tools and/or techniques.
- ◆ It is recommended that this product is only installed by trained personnel.
- ◆ These instructions are correct as at the publication date. ARB Corporation Ltd. cannot be held responsible for the impact of any changes subsequently made by the vehicle manufacturer.
- ◆ During installation, it is the duty of the installer to check correct operation/clearances of all components.
- ◆ Work safely at all times.
- ◆ Unless otherwise instructed, tighten fasteners to specified torque.
- ◆ Check bolt torque after 500km & at regular service intervals.

ARB 4x4 ACCESSORIES

Corporate Head Office

42-44 Garden St
Kilsyth, Victoria
AUSTRALIA 3137

Tel: +61 (3) 9761 6622
Fax: +61 (3) 9761 6807

Australian enquiries
North & South American enquiries
Other international enquiries

sales@arb.com.au
sales@arbusa.com
exports@arb.com.au

www.arb.com.au

SAFETY

- ◆ The maximum load per single mount is **5.0kg EACH**.
1780720 can be purchased to increase load capacity to **20.0kg EACH**.
- ◆ Attachments must not project beyond the overall width of the vehicle.
- ◆ Attachments can be either side of the mount or spread over both sides.
- ◆ Any weight carried on the BED RACK will adversely affect its handling, particularly in cornering or in a cross-wind, the vehicle should therefore be driven with increased discretion.
- ◆ Regularly check the tightness of the securing clamps and the security of the load.
- ◆ If accessories are attached to the bed rack, at least one cross bar must be fitted at all times.

GENERAL CARE AND MAINTENANCE

By choosing an ARB BED RACK, you have bought a product that is one of the most sought after 4WD products in the world. Your BED RACK is a properly engineered, reliable, quality accessory that represents excellent value. To keep your BED RACK in original condition it is important to care and maintain it following these recommendations:

- As part of any pre-trip preparation, or on an annual basis, it is recommended that a thorough visual inspection of the BED RACK is carried out, making sure that all bolts and other components are torqued to the correct specification. Replace any components as necessary.

Please contact local Authorised ARB Stockist if you would like to have this service carried out on your behalf.

FITTING REQUIREMENTS

REQUIRED TOOLS FOR FITMENT OF PRODUCT:

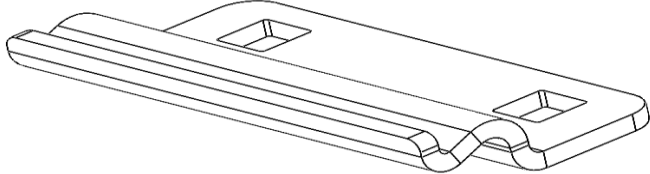
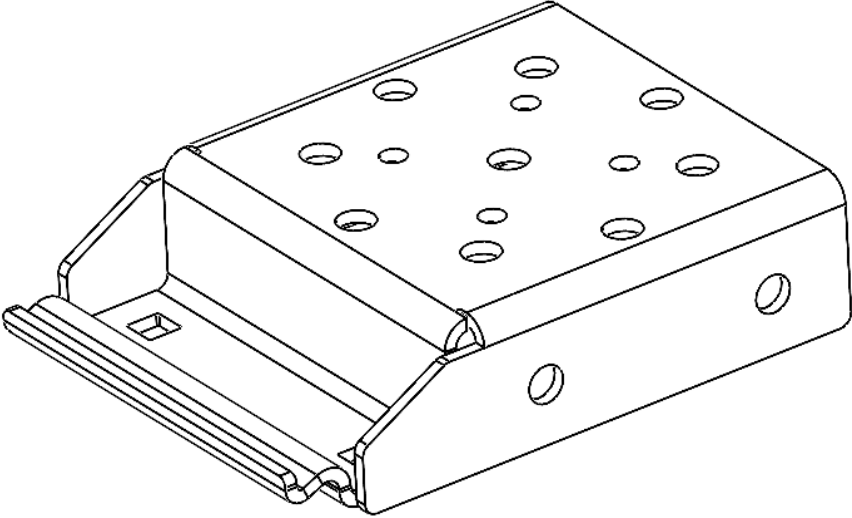
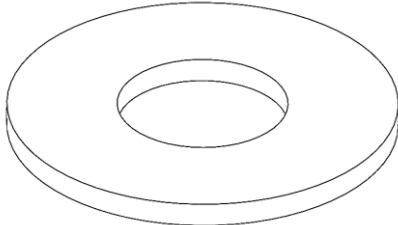
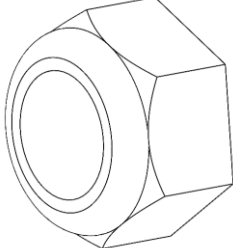
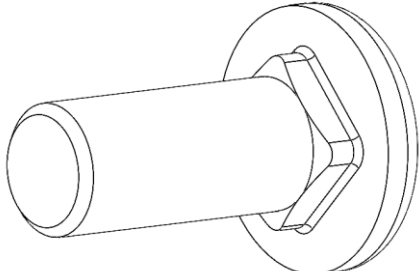
METRIC SOCKET SET

TORQUE WRENCH Minimum 22Nm

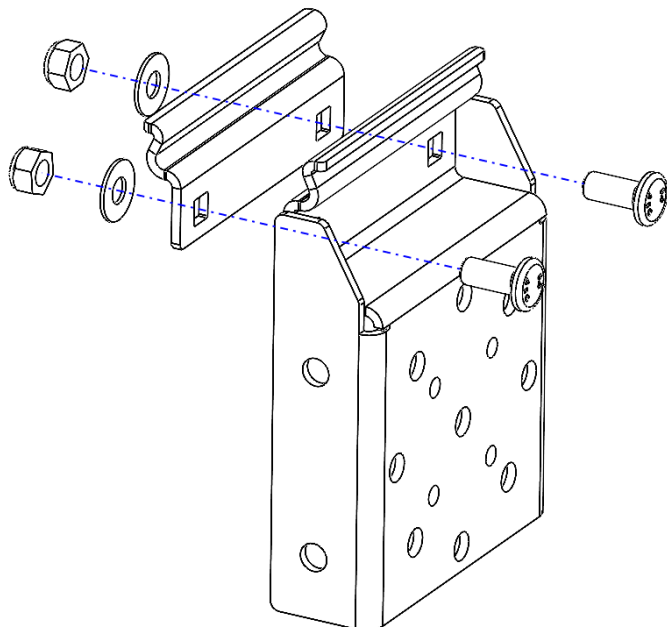
FASTENER TORQUE SETTINGS:

SIZE	Torque Nm	Torque lbft
M8	22Nm	16lbft

PARTS LISTING – BED RACK CROSS BAR FITTING KIT

PART NUMBER	DESCRIPTION	QTY	DIAGRAM
3752562	BRKT RT ACC CLAMP 100MM	2	
4655414	SINGLE MNT WELDMENT	2	
4581085	WASHER FLAT M8X19X1.2	4	
6151212	NUT HEX NYLOC M8X1.25	4	
6151921	BOLT COHD M8X20	4	

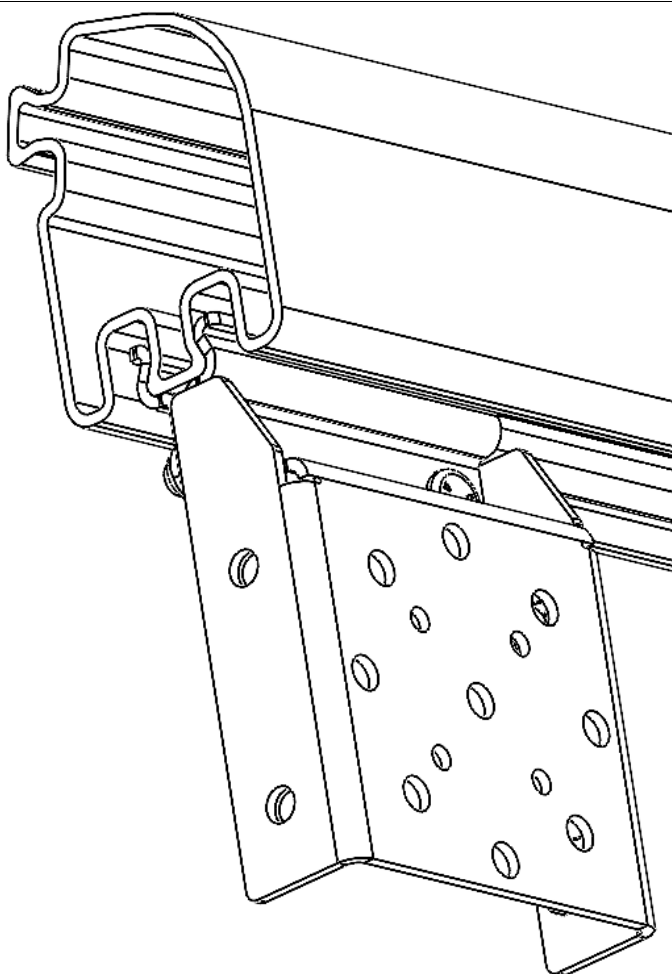
BEFORE STARTING, READ ALL STEPS OF THE INSTRUCTIONS



1. Install M8 coach head screws, washers and nyloc nuts through mount and clamping bracket as shown.

Leave finger tight.

EXTERNAL MOUNTING

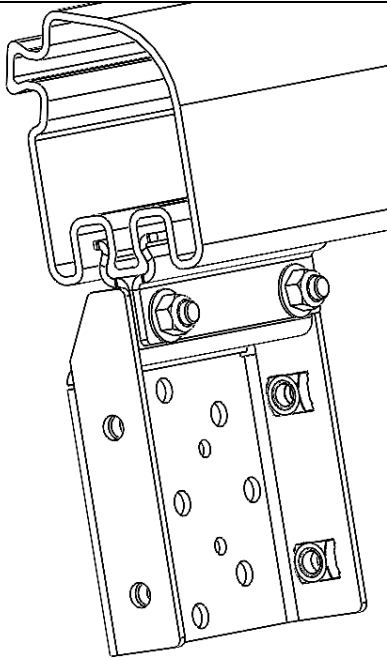


2. Install the assembled mount to the internal dovetail and tighten fasteners to support the mount.
3. Position mounts along Bed Rack frame to appropriate position and torque fasteners to specification.




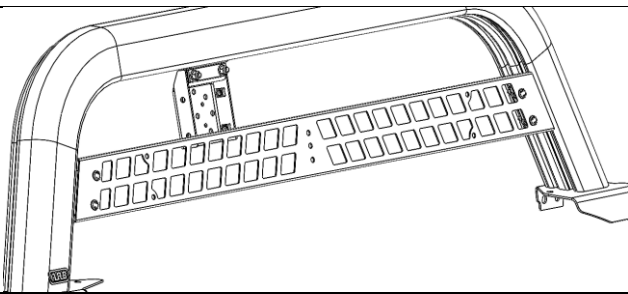
M8 - 22 Nm.

INTERNAL MOUNTING



4. Install assembled mount to the internal dovetail and tighten fasteners to support the mount.
5. Position mounts along Bed Rack frame to appropriate position and torque fasteners to specification.

 M8 - 22 Nm.



NOTE: Internal mounting is compatible with side channels.

FITTED PRODUCT SHOWING BOTH MOUNTING OPTIONS

