

# **ARB** BED RACK

Part Number: **1780680**  
Product Description: **BASE RACK MNT TO BED RACK**

## **WARNING**

### **NOTE THE FOLLOWING:**

- ◆ Vehicle accessories which are not properly fitted can be dangerous.
- ◆ Please read these instructions carefully prior to fitting, and comply with the instructions at all times.
- ◆ If in any doubt please contact your nearest ARB state office or the stockist from whom it was purchased.
- ◆ Do not use this product for any vehicle make or model, other than those specified by ARB.
- ◆ This product or its fixing must not be modified in any way.
- ◆ The installation of this product may require the use of specialized tools and/or techniques.
- ◆ It is recommended that this product is only installed by trained personnel.
- ◆ These instructions are correct as at the publication date. ARB Corporation Ltd. cannot be held responsible for the impact of any changes subsequently made by the vehicle manufacturer.
- ◆ During installation, it is the duty of the installer to check correct operation/clearances of all components.
- ◆ Work safely at all times.
- ◆ Unless otherwise instructed, tighten fasteners to specified torque.
- ◆ Check bolt torque after 500km & at regular service intervals.

## **ARB 4x4 ACCESSORIES**

### **Corporate Head Office**

42-44 Garden St  
Kilsyth, Victoria  
AUSTRALIA 3137

Tel: +61 (3) 9761 6622  
Fax: +61 (3) 9761 6807

Australian enquiries  
North & South American enquiries  
Other international enquiries

sales@arb.com.au  
sales@arb.com.au  
exports@arb.com.au

**www.arb.com.au**

# SAFETY

## NET PAYLOAD FOR YOUR BED RACK

- ◆ Maximum load of BED RACK with BASE RACK is **150kg**.
- ◆ Load must be evenly distributed and adequately secured.
- ◆ Any weight carried on the BED RACK will adversely affect its handling, particularly in cornering or in a cross-wind, the vehicle should therefore be driven with increased discretion.
- ◆ Regularly check the tightness of the securing clamps and the security of the load.
- ◆ Attention is directed to statutory requirements regarding maximum permissible projections from vehicles.
- ◆ All bolts should be checked prior to touring to ensure the BASE RACK and BED RACK are fastened correctly.

## GENERAL CARE AND MAINTENANCE

By choosing an ARB BED RACK, you have bought a product that is one of the most sought after 4WD products in the world. Your BED RACK is a properly engineered, reliable, quality accessory that represents excellent value. To keep your BED RACK in original condition it is important to care and maintain it following these recommendations:

- As part of any pre-trip preparation, or on an annual basis, it is recommended that a thorough visual inspection of the BED RACK is carried out, making sure that all bolts and other components are torqued to the correct specification. Replace any components as necessary.

Please contact local Authorised ARB Stockist if you would like to have this service carried out on your behalf.

## FITTING REQUIREMENTS

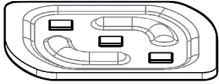
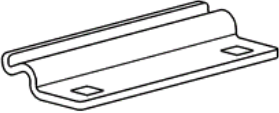
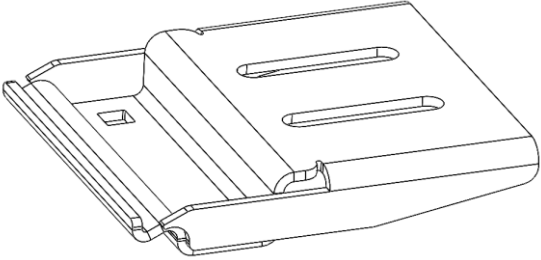


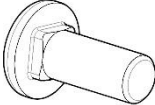
### REQUIRED TOOLS FOR FITMENT OF PRODUCT:

<b>METRIC SOCKET SET</b>	<b>Tape measure</b>
<b>TORQUE WRENCH Minimum 22Nm</b>	

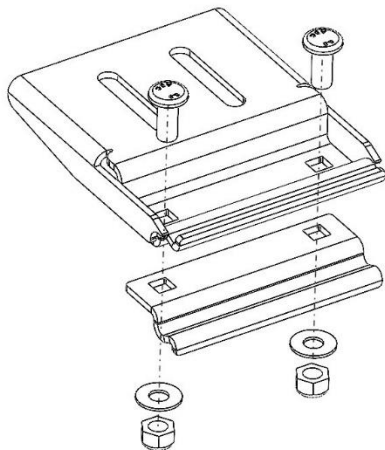
### FASTENER TORQUE SETTINGS:

SIZE	Torque Nm	Torque lbft
M8	22Nm	16lbft

## PARTS LISTING – BED RACK CROSS BAR FITTING KIT

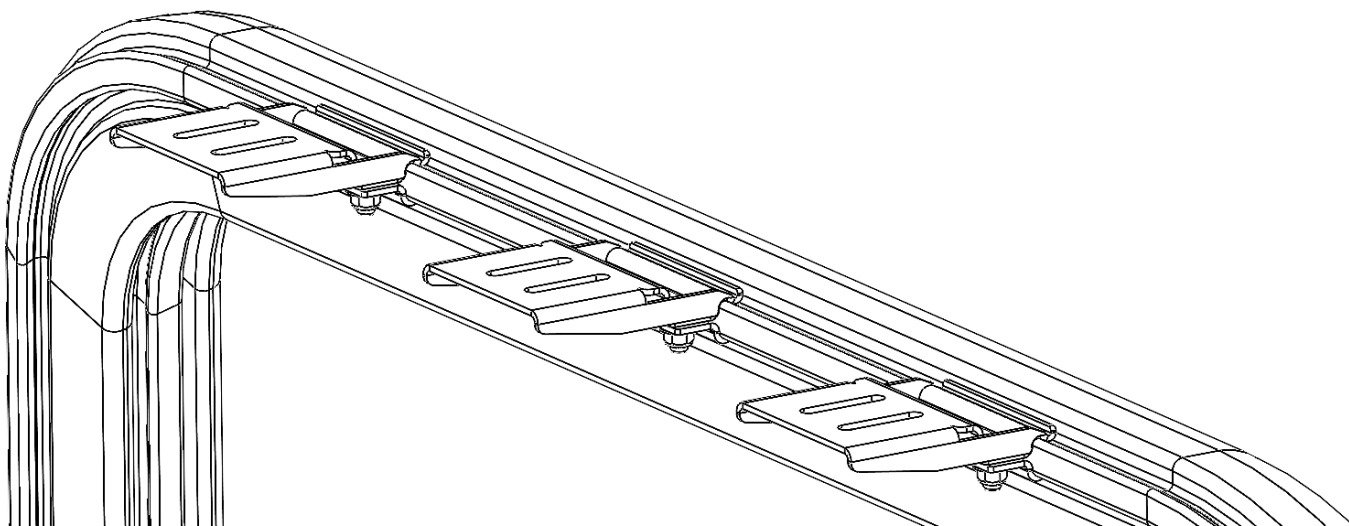
PART NUMBER	DESCRIPTION	QTY	DIAGRAM
3195184	M8 STUD PLATE	6	
3752562	BRKT RT ACC CLAMP 100MM	6	
3755340	BASE RACK BRKT   BED RACK	6	
4581085	WASHER FLAT M8X19X1.2	24	
6151212	NUT HEX NYLOC M8X1.25	24	
6151921	BOLT COHD M8X20	24	

## **BEFORE STARTING, READ ALL STEPS OF THE INSTRUCTIONS**




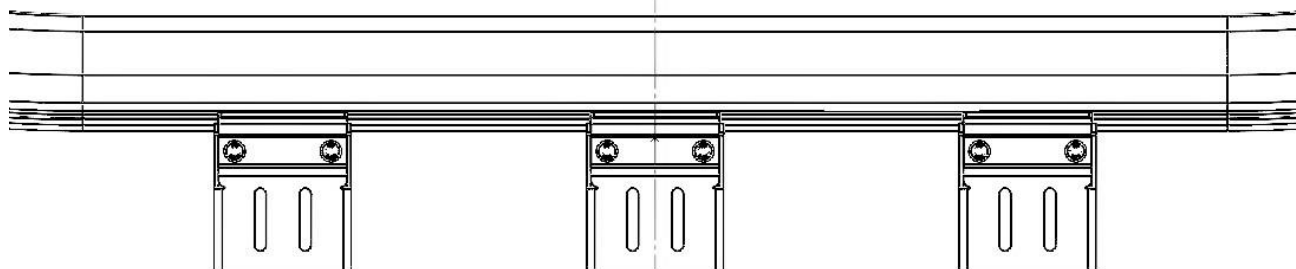
1. Install M8 coach head screws, washers and nyloc nuts through clamping brackets as shown for all six mounts.  
Leave finger tight.

2. Fit three mounts per BED RACK frame. Tighten M8 nyloc nuts to support the mounts while being able to freely slide.




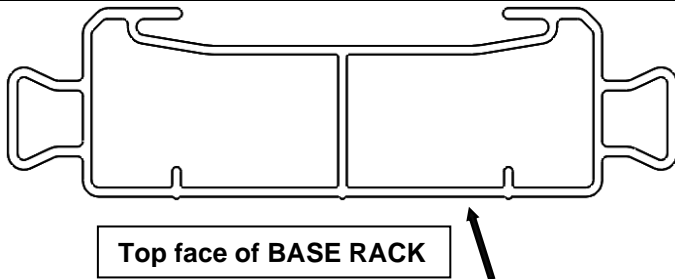
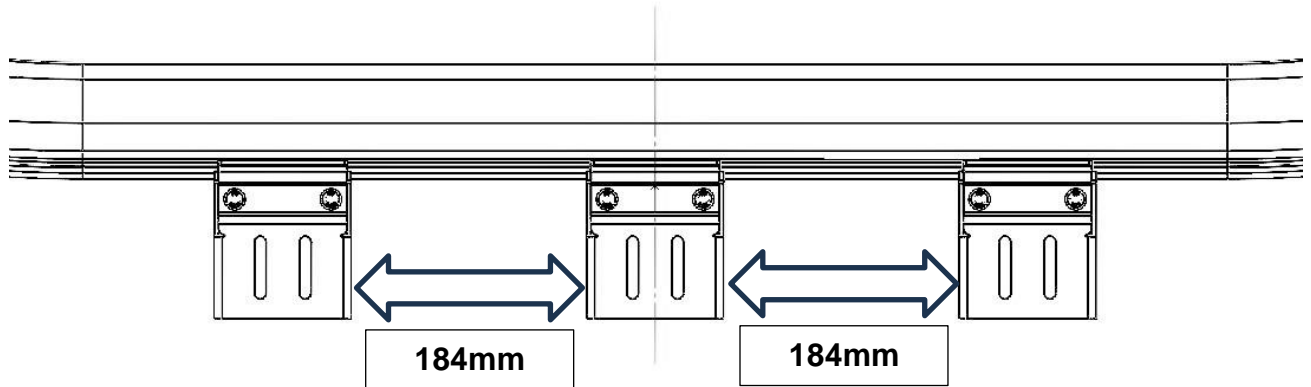
3. Position the centre mount in the centre of the bed rack frame (RHS & LHS).
4. Tighten the two M8 nyloc nuts on the centre mount to specification.

 M8 - 22 Nm.

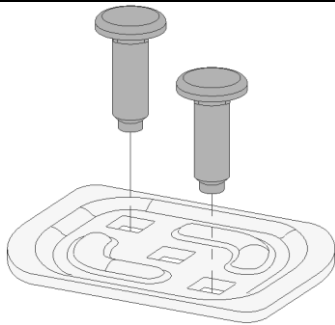


5. Position outside mounts to achieve a gap of 184mm (RHS & LHS).
6. Tighten the four M8 nyloc nuts on the outer mounts to specification.

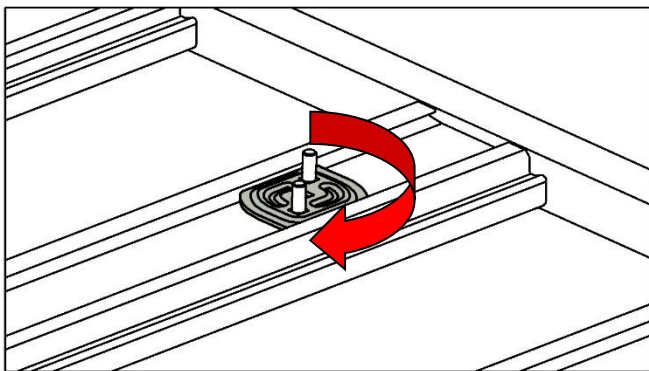
 M8 - 22 Nm.



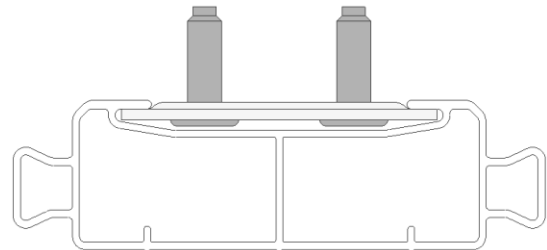
7. Place the BASE RACK face down on a clean flat surface. Provide protection to the top face of BASE RACK to avoid marking of surfaces.

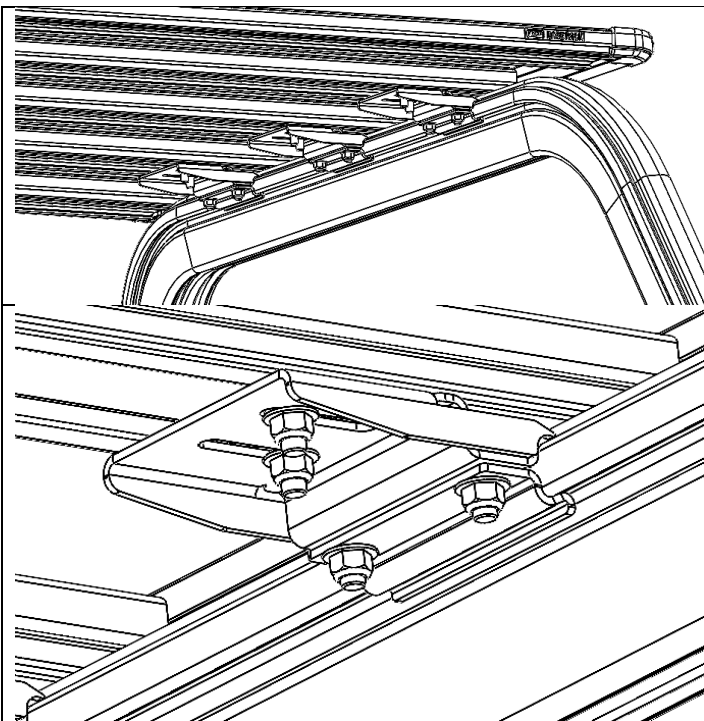


8. Insert two M8 x 20 Studs into each of the six Stud Plates as shown.



9. Insert the previously assembled stud plates into the middle three BASE RACK channels. Rotate the plates 90 degrees.





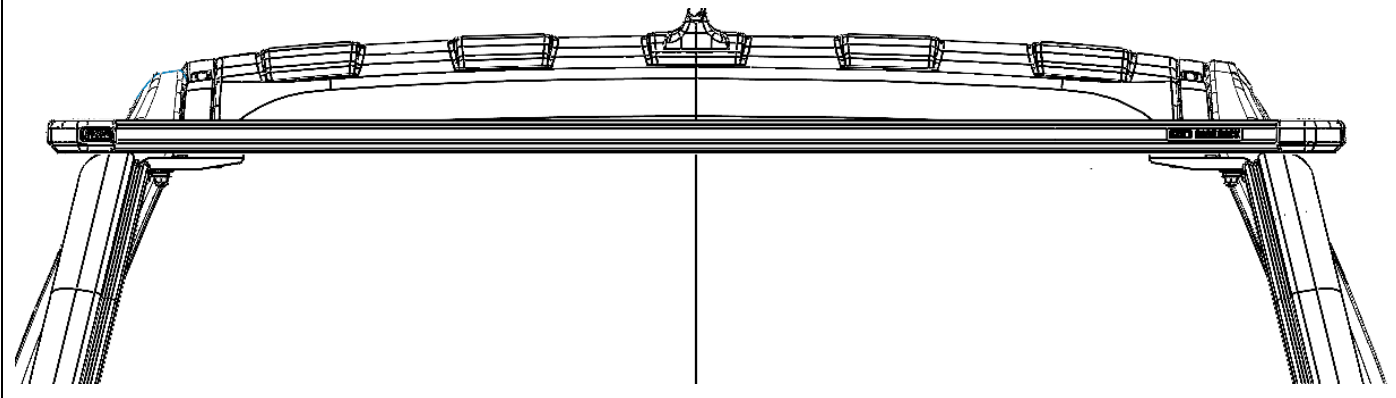
10. With the aid of an assistant, place the base rack onto the Bed Rack and align studs with the slots in the mounts.

11. Install M8 washers and M8 Nyloc nuts to each stud, twelve places.  
Leave loose.

12. Centralise the Base Rack to the Bed Rack.  
13. Tighten the twelve M8 Nyloc nuts fitted in Step 11 to specification.



M8 - 22 Nm.



## FITTED PRODUCT

