

ARB **BED RACK**

Part Number: **17940100**
Suits Vehicle: **FORD RANGER MY22**
Product Description: **BED RACK MOUNT KIT**
Required kit: **4140135 J BRACE KIT RANGER**
4140138 SUPPLEMENTARY BRACE KIT |MY22 RAPTOR

Optional kits: **1780660 BED RACK CROSS BARS PR 1252MM**
1780700 BED RACK SIDE CHANNEL
SEE BED RACK OPTIONS LIST FOR ALL OTHER ACCESSORIES

WARNING

NOTE THE FOLLOWING:

- ◆ Vehicle accessories which are not properly fitted can be dangerous.
- ◆ Please read these instructions carefully prior to fitting, and comply with the instructions at all times.
- ◆ If in any doubt please contact your nearest ARB state office or the stockist from whom it was purchased.
- ◆ Do not use this product for any vehicle make or model, other than those specified by ARB.
- ◆ This product or its fixing must not be modified in any way.
- ◆ The installation of this product may require the use of specialized tools and/or techniques.
- ◆ It is recommended that this product is only installed by trained personnel.
- ◆ These instructions are correct as at the publication date. ARB Corporation Ltd. cannot be held responsible for the impact of any changes subsequently made by the vehicle manufacturer.
- ◆ During installation, it is the duty of the installer to check correct operation/clearances of all components.
- ◆ Work safely at all times.
- ◆ Unless otherwise instructed, tighten fasteners to specified torque.
- ◆ Check bolt torque after 500km & at regular service intervals.

ARB 4x4 ACCESSORIES

Corporate Head Office

42-44 Garden St
Kilsyth, Victoria
AUSTRALIA 3137

Tel: +61 (3) 9761 6622
Fax: +61 (3) 9761 6807

Australian enquiries
North & South American enquiries
Other international enquiries

sales@arb.com.au
sales@arbusa.com
exports@arb.com.au

www.arb.com.au

SAFETY

NET PAYLOAD FOR YOUR BED RACK

- ◆ Load must be evenly distributed and adequately secured.
- ◆ Any weight carried on the BED RACK will adversely affect its handling, particularly in cornering or in a cross-wind, the vehicle should therefore be driven with increased discretion.
- ◆ Regularly check the tightness of the securing clamps and the security of the load.
- ◆ Attention is directed to statutory requirements regarding maximum permissible projections from vehicles.
- ◆ If accessories are attached to the bed rack, one cross bar must be fitted at all times.
- ◆ All bolts should be checked prior to touring to ensure the BED RACK and accessories are fastened correctly.

GENERAL CARE AND MAINTENANCE

By choosing an ARB BED RACK, you have bought a product that is one of the most sought after 4WD products in the world. Your BED RACK is a properly engineered, reliable, quality accessory that represents excellent value. To keep your BED RACK in original condition it is important to care and maintain it following these recommendations:

- As part of any pre-trip preparation, or on an annual basis, it is recommended that a thorough visual inspection of the BED RACK is carried out, making sure that all bolts and other components are torqued to the correct specification. Replace any components as necessary.



Please contact local Authorised ARB Stockist if you would like to have this service carried out on your behalf.

FITTING REQUIREMENTS

REQUIRED TOOLS FOR FITMENT OF PRODUCT:

METRIC SOCKET SET	ELECTRIC DRILL WITH Ø12.0MM DRILL BIT
Ø32MM/ 1-1/4" HOLE SAW	MULTI TOOL
TORQUE WRENCH Minimum 22Nm	DEBURRING TOOL
TOUCH UP PAINT	SCISSORS
MASKING TAPE	PEN OR THIN MARKER
SCREWDRIVER SET	PPE
TORX KEYS	

HAVE AVAILABLE THESE SAFETY ITEMS WHEN FITTING PRODUCT:

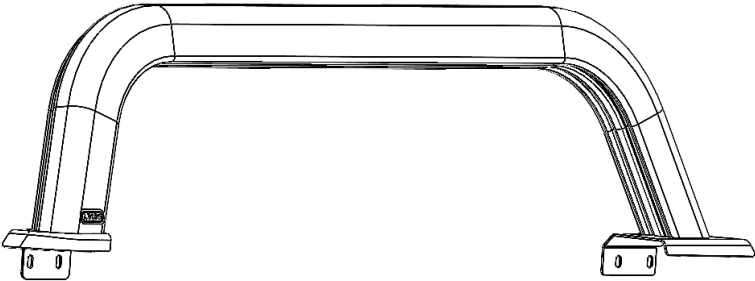
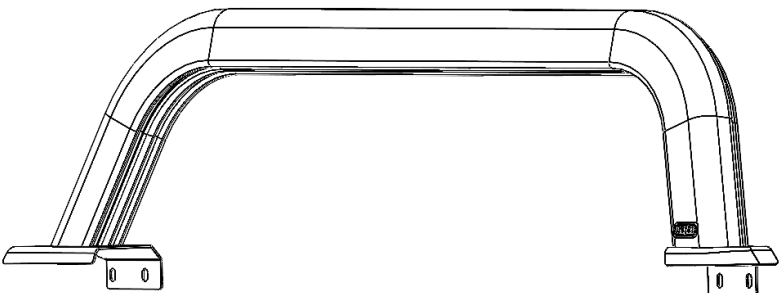
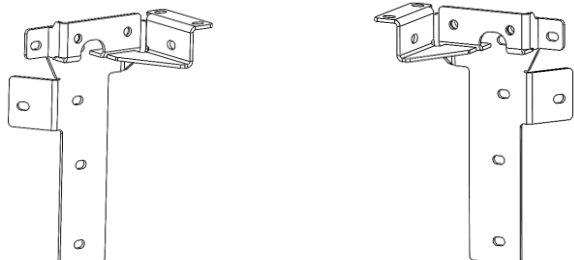
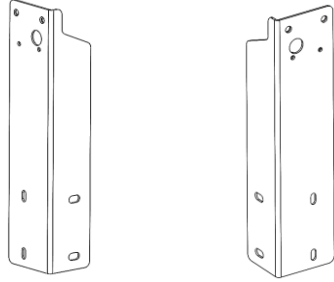
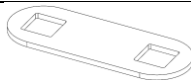
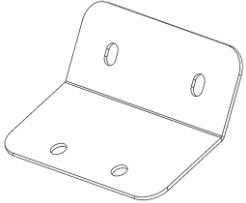
Protective eyewear 	Hearing protection 
--	--

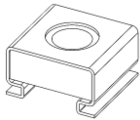
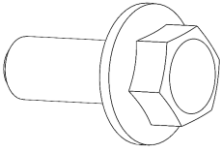
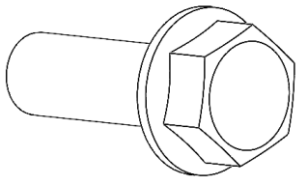
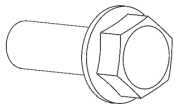
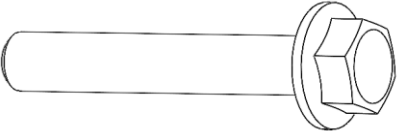
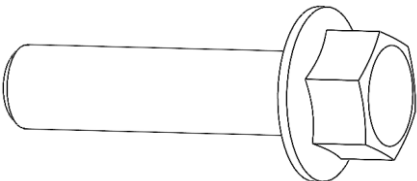
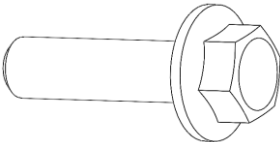


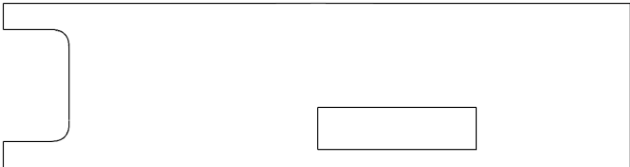
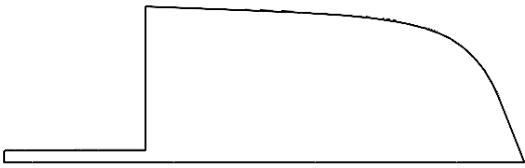
NOTE: 'WARNING' notes in the fitting procedure relate to OHS situations, where to avoid a potentially hazardous situation it is suggested that protective safety gear be worn or a safe work procedure be employed. If these notes and warnings are not heeded, injury may result.

FASTENER  TORQUE SETTINGS:

SIZE	Torque Nm	Torque lbft
M6	9Nm	7lbft
M8	22Nm	16lbft
M10	44Nm	32lbft

PARTS LISTING

PART NUMBER	DESCRIPTION	QTY	DIAGRAM
6136689R	RH BED RACK FRAME WELDMENT	1	
6136689L	LH BED RACK FRAME WELDMENT	1	
4655391L&R	FRONT BED MNT	1L & 1R	
4655393L&R	REAR TUB MNT	1L & 1R	
3195730	M6 CAGE NUT PLT 35MM PITCH	2	
4681821	REAR TUB LINER BRACE	2	

6151315	NUT CAGED M6 0.7-1.6	4	
6151730	BOLT HXHD FL M8x1.25x20	10	
6151965	BOLT HXHD FL M10x1.5x30	8	
6152008	BOLT HXHD FL M6x1.0x25	10	
6152042	BOLT HXHD FL M8x1.25x50	2	
6152048	SCREW HXHD FL M10x1.5x40	4	
6152153	BOLT HXHD FL M8x1.25x30	16	
6250015	SPACER ZEON INTERNAL HAWSE	4	
6253428	OD25.0 X ID11.0 X 16.5MM	2	
37801338	BED RACK FRONT FOOT TEMPLATE	1	
37801340	BED RACK FRONT FOOT TEMPLATE	1	

BEFORE STARTING, READ ALL STEPS OF THE INSTRUCTIONS

RANGER XLT WITH SPORTS BAR AND CMS RAIL



1. Remove Sports bar/ Roller shutter and CMS rail if fitted.
2. Remove both left and right tail lights, unplug the lamps and place in a safe location.



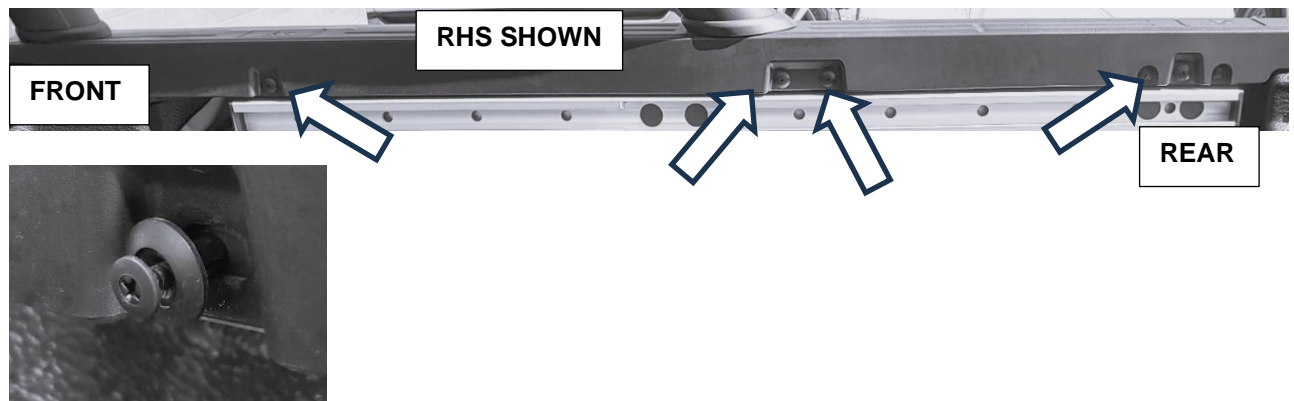
GENERIC IMAGE

3. Remove the BED RACK carton lid, remove the large staples and place into the tub. The carton lid will protect the tub or tub liner from scratches.

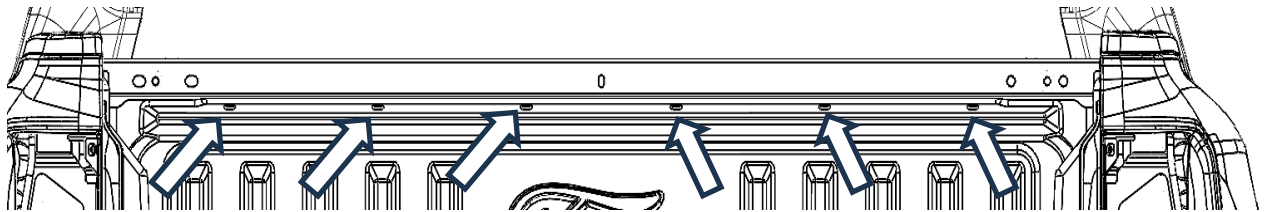
4. Remove front and rear tie down points from both sides and set aside for refitment.
5. Remove fasteners in these locations.

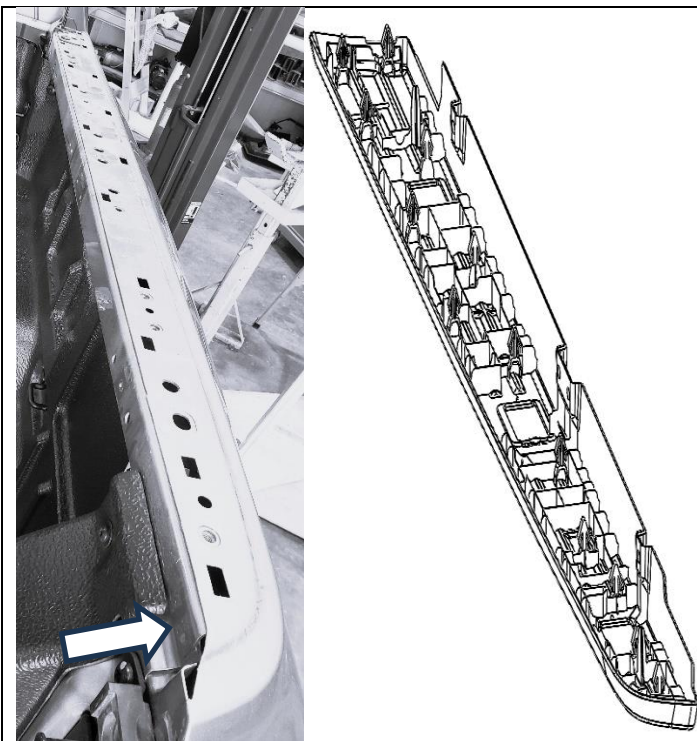


6. Remove four scrivenets per side, set aside for refitment.



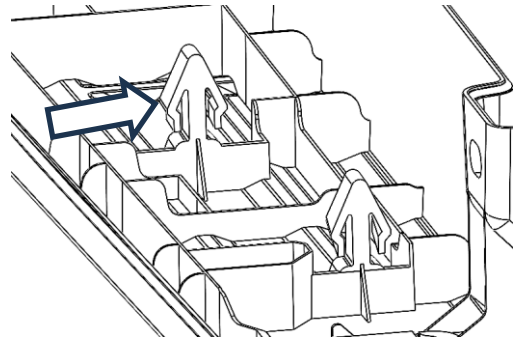
7. Remove six scrivenets along the headboard and set aside for refitment.



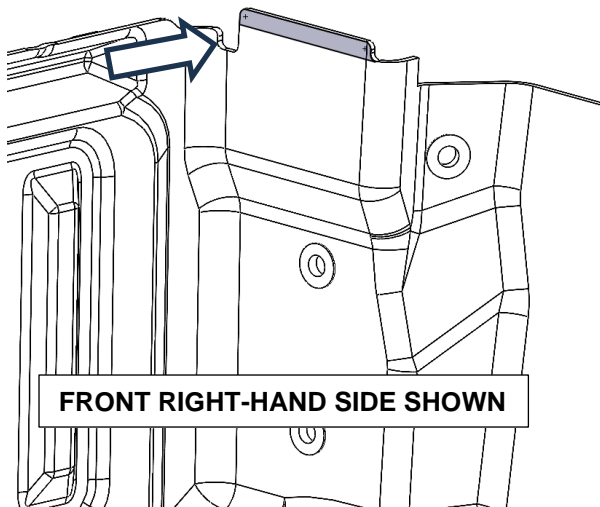


- Starting from the rear of the tub, carefully remove the plastic cap from both sides. Set aside.

NOTE: Caution must be taken to not damage the location tabs.



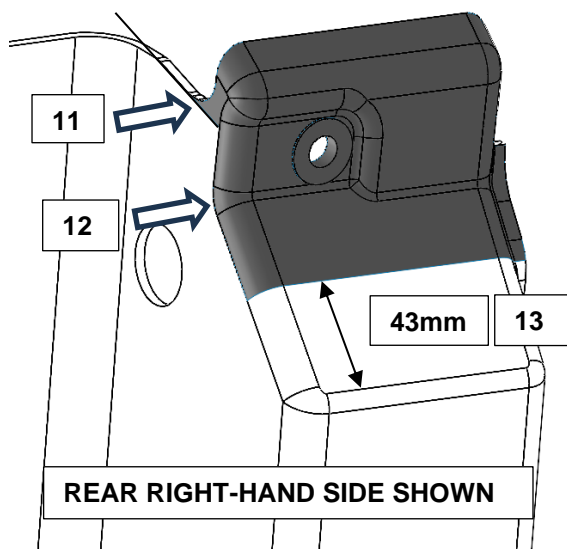
TUB LINER TRIM



- At the Front corners, measure down 10.0mm from the top edge and remove shaded section of the tub liner shown. De-burr cut edges.



WARNING: Drilling & Cutting operations can result in flying debris. Eye and ear safety protection should be worn.

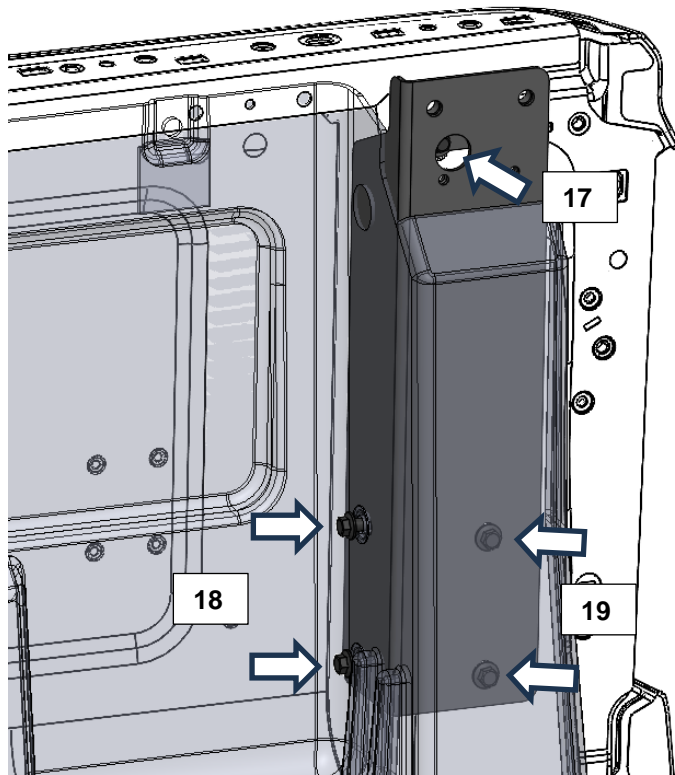


- For both rear corners, use masking tape on the faces to be cut.
- With a pen, draw a line that continues the straight line to the radius.
- Mark the line where the radius meets the flat surfaces.
- Measure up from the radius 43.0mm, mark a straight line across and continue around the corner.
- Remove shaded section of tub liner and deburr cut edges.



15. Open fit kit box and layout all brackets and fasteners.

TUB MOUNT BRACKETS



REAR RIGHT-HAND SIDE SHOWN


16. Slide the rear tub mount behind the trimmed tub liner.


17. Use one M6x25 FL bolt to hold the mount in place and leave loose.

18. Refit one tie down point using two M8x30 FL bolts leaving loose.

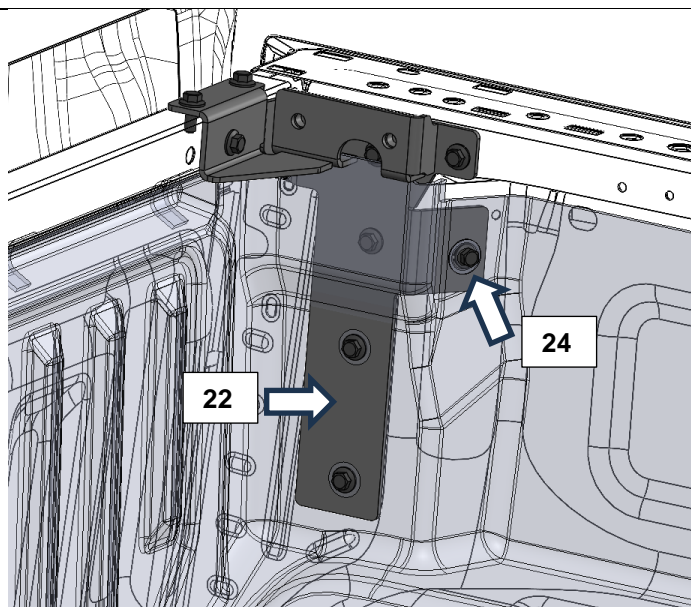
19. Fit two M8x 30 FL bolts and tighten to specification.

20. Tighten remaining fasteners to specification.

 M6 - 9 Nm.

 M8 - 22 Nm.

Repeat for Left Hand Side.



FRONT RIGHT-HAND SIDE SHOWN

21. Slide the front tub mount behind the tub liner.

22. Refit the tie down point using two M8x30 FL bolts leaving loose.

23. Fit seven M8x30 FL bolts in the remaining mount points.

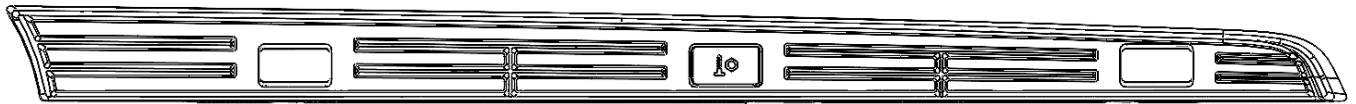
24. If CMS rail is being refitted, use this fastener through the front CMS mount.

25. Tighten all fasteners to specification.

 M8 - 22 Nm.

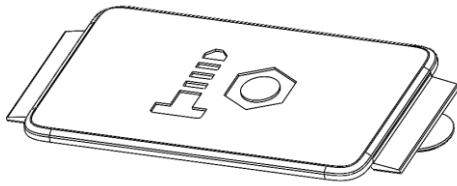
Repeat for Left Hand Side.

26. Remove front and rear bolt access plates from both tub caps which were removed in Step 8.



FRONT

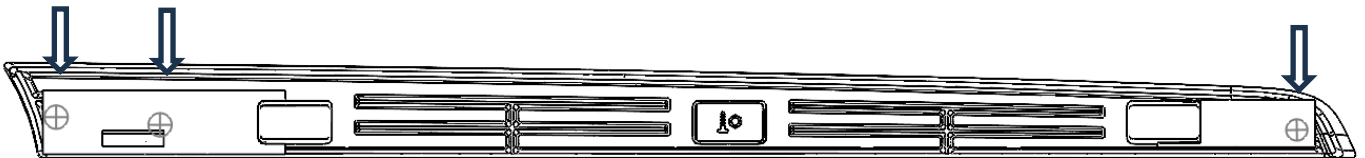
REAR



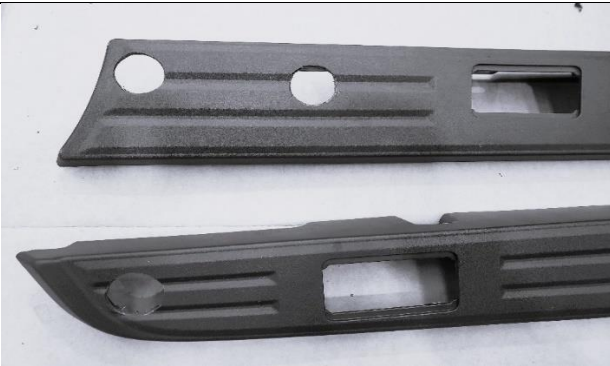
RIGHT-HAND SIDE SHOWN

27. Cut out both templates and align to tub cap as shown.

28. Centre mark the three positions, then transfer the templates to the LH tub cap and repeat.



WARNING: Drilling & Cutting operations can result in flying debris. Eye and ear safety protection should be worn.

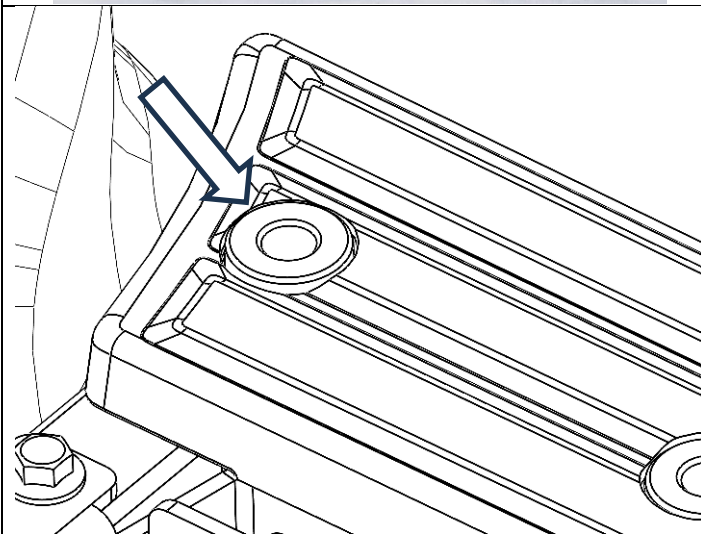


29. Using a $\text{Ø}32\text{mm}$ (1-1/4") hole saw, drill the three positions on both tub caps.

30. De-bur each hole and refit to the tub.

31. Refit the four bolt access plates.

32. Refit all the removed scrivets, four per side and 6 along the headboard.



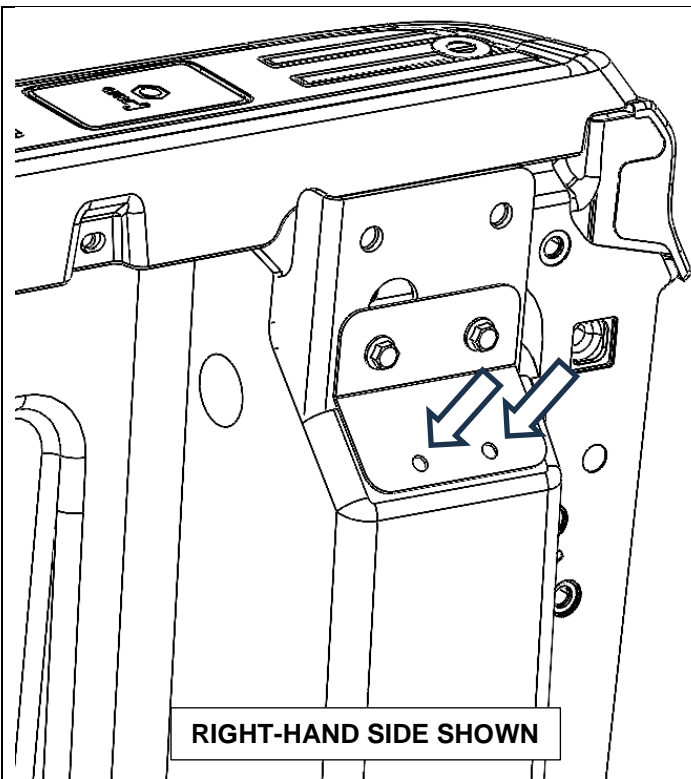
33. Place one spacer in each FRONT hole.

34. Using a $\text{Ø}12.0\text{mm}$ drill bit, drill through the tub sheet metal on both sides.

35. Remove the spacer and debur the holes then paint raw edges to prevent corrosion.

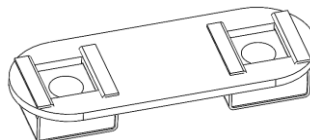


WARNING: Drilling & Cutting operations can result in flying debris. Eye and ear safety protection should be worn.

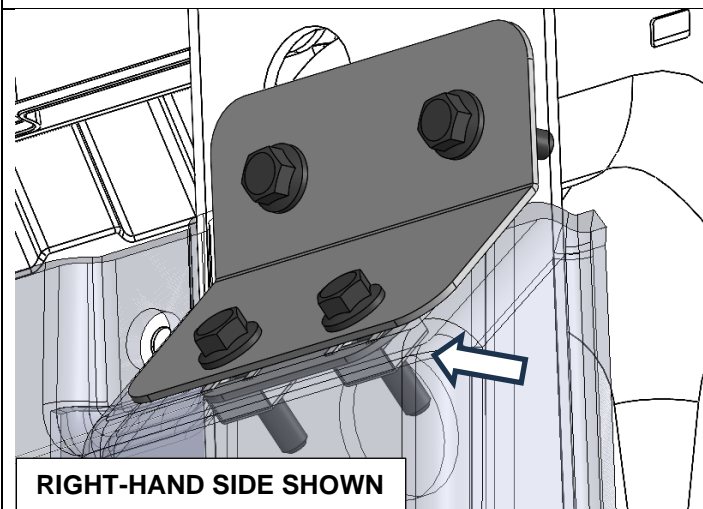


RIGHT-HAND SIDE SHOWN

36. Using two M6x25 FL bolts, fit the rear tub liner brace to both sides.
37. Drill through the tub liner in the two positions shown.
38. Remove both plates and deburr the four holes.
39. Install two M6 cage nuts into each nut plate.




WARNING: Drilling & Cutting operations can result in flying debris. Eye and ear safety protection should be worn.

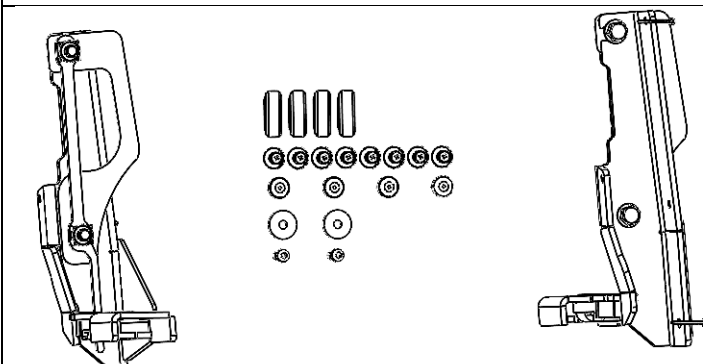


RIGHT-HAND SIDE SHOWN

40. Fit the assembled nut plate behind the tub liner and use two M6x25 FL bolts to fit the tub liner brace.
41. Refit the two M6x25 FL bolts to the mount.
42. Tighten to specification.

 M6 - 9 Nm.

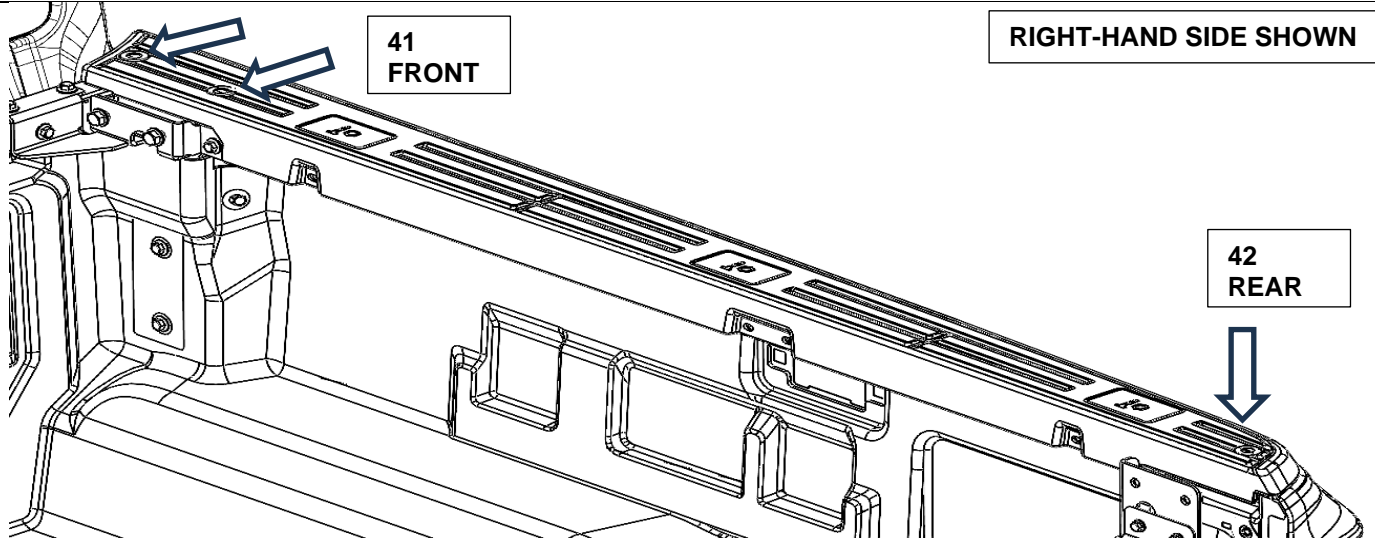
Repeat for Left Hand side.



43. Retrieve fitting instructions for the J BRACE.
- For 4140135 (RANGER) follow steps 1 to 8
- For 4140138 (RAPTOR) follow Steps 1 to 10

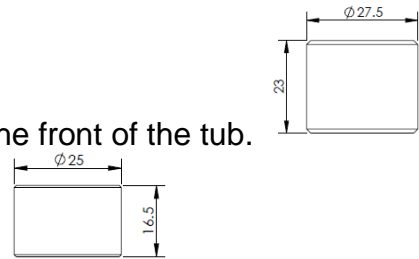
FRAME FITMENT

RIGHT-HAND SIDE SHOWN

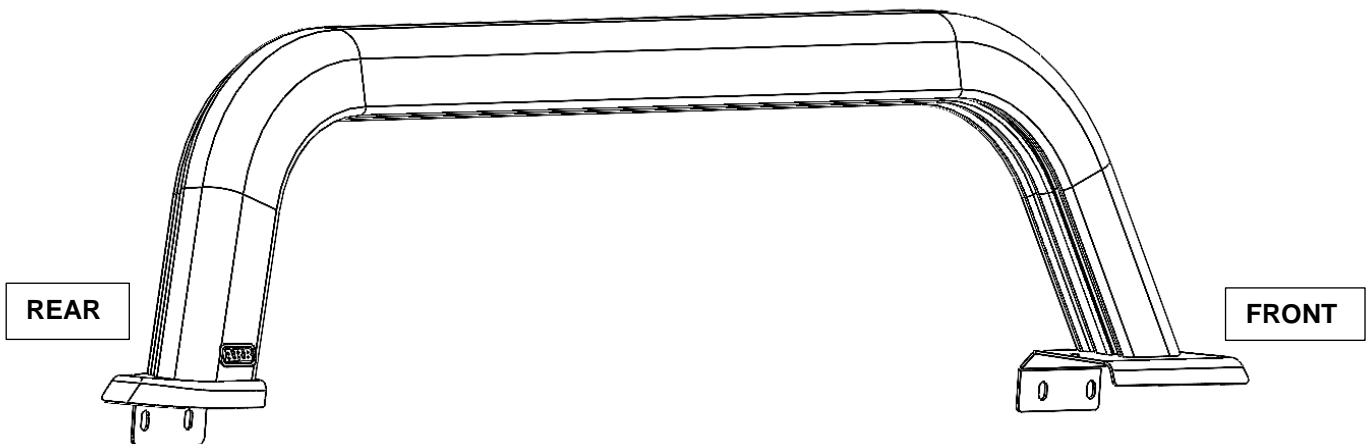


44. Place two spacers per side in the drilled positions at the front of the tub.

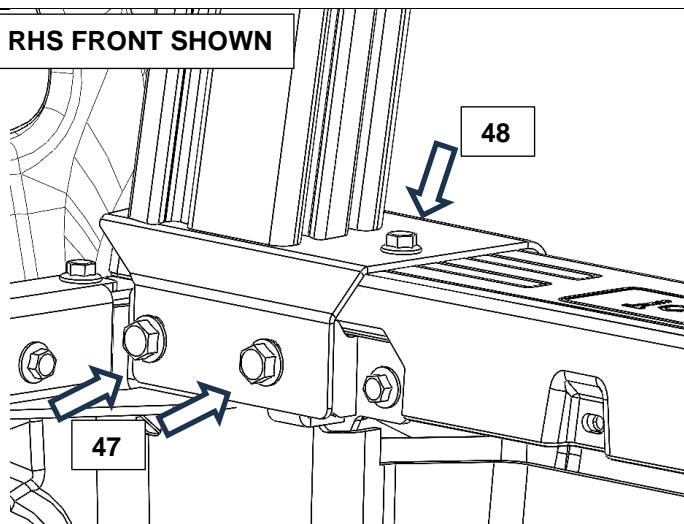
45. Place one spacer per side at the rear drilled location.



46. Identify the RHS as shown.



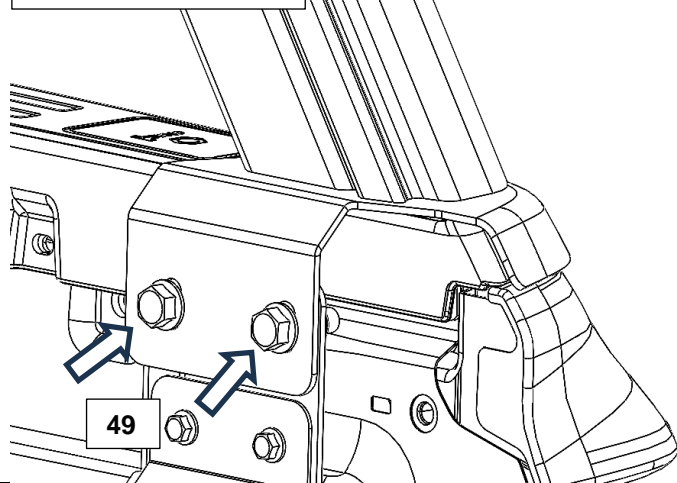
RHS FRONT SHOWN



47. Carefully place Bed Rack Frames onto mounts and fit two M10 x 30 FL BOLTS to secure the frame at the front.

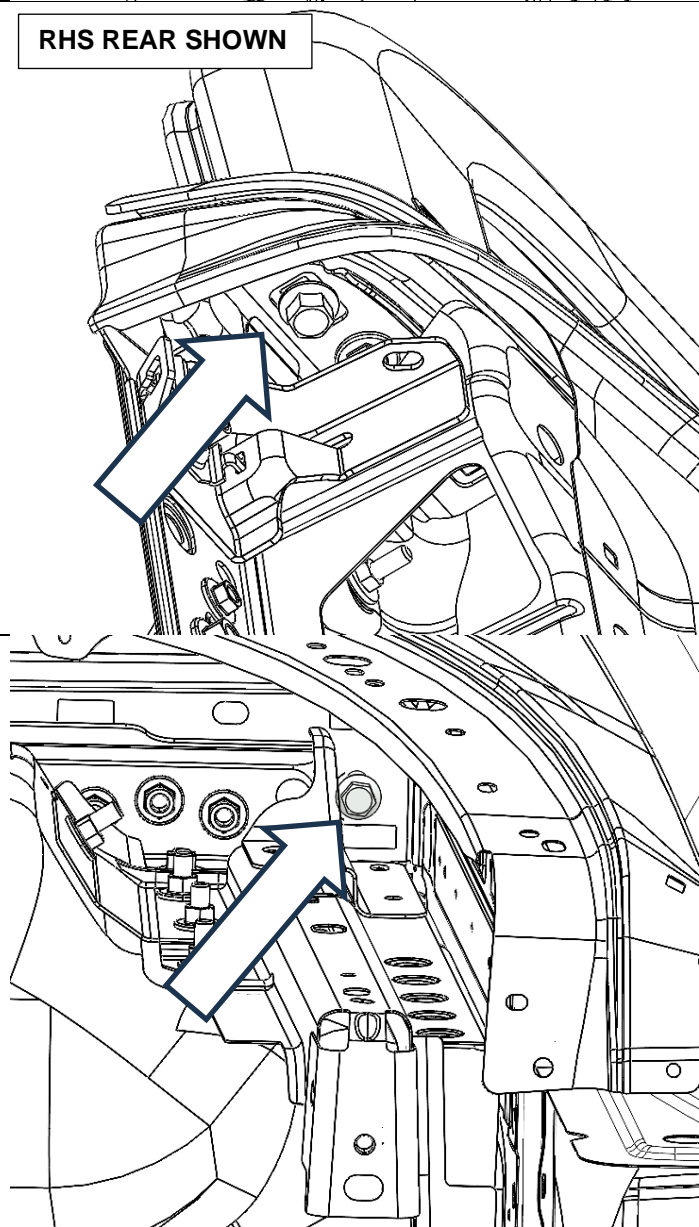
48. Loosely fit one M8 x 50 FL Bolt.

RHS REAR SHOWN



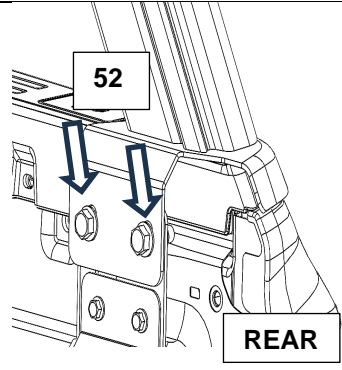
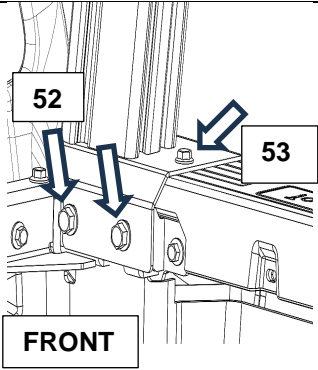
49. At the rear, fit two M10 x 30 FL BOLTS, leave loose.

RHS REAR SHOWN




50. Fit one M10x40 FL bolt from inside the tail light cavity up through the spacer and into the Bed Rack Frame and leave loose.


51. At the front of the tub, fit one M10x40 FL bolt up through the drilled hole into the Bed Rack Frame and leave loose.




52. Tighten the four M10x30 FL bolts to specification.

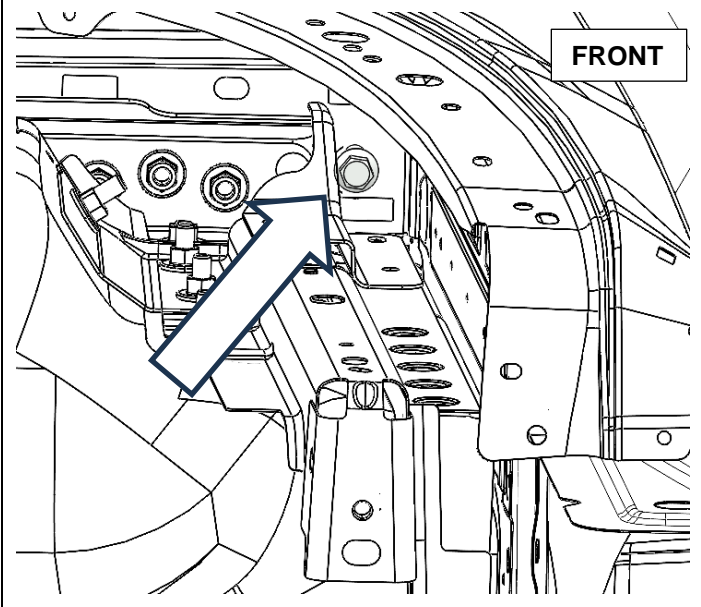
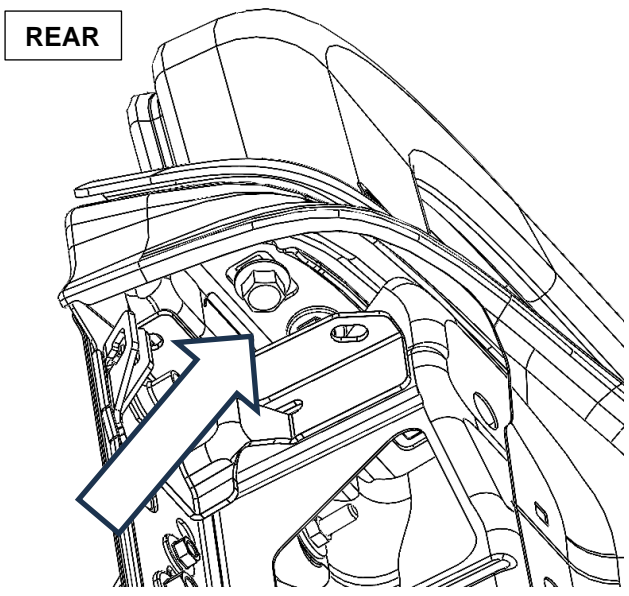
53. Tighten the M8 FL bolt to specification.

 M8 - 22 Nm.

 M10 - 44 Nm.

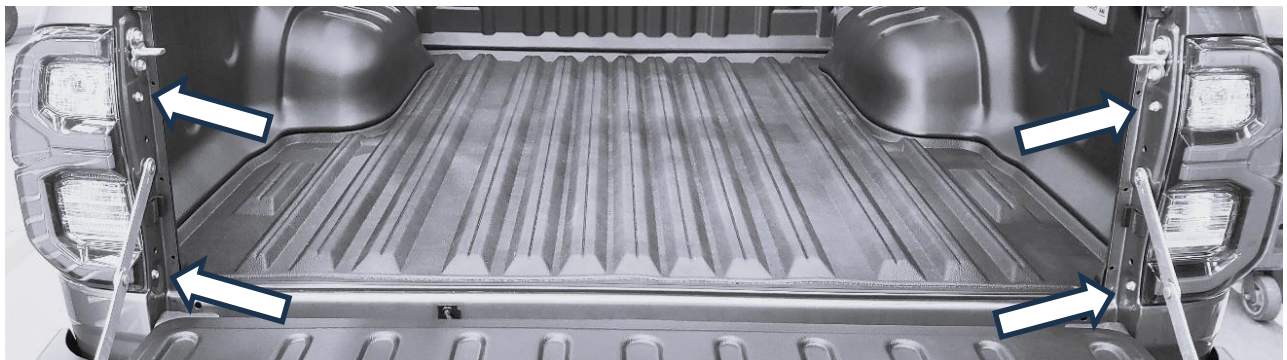
54. Tighten the two M10x30 FL bolts to specification.

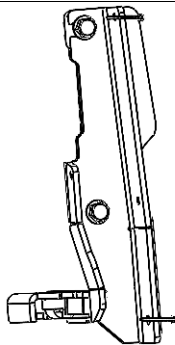
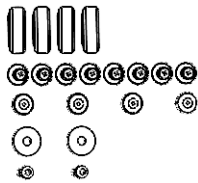
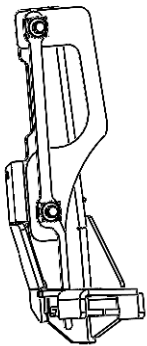
 M10 - 44 Nm.



55. Repeat Steps 46-54 for LHS.

56. Reinstall both taillights.





57. Continue fitment of the J BRACE.

For 4140135 (RANGER) follow Step 9 onwards

For 4140138 (RAPTOR) follow Step 11 onwards.

58. Continue with mounting of selected BED RACK accessories.

**FITTED PRODUCT SHOWN WITH
1780680 BASE RACK MOUNTS AND BASE RACK
TWO 1780780 SIDE CHANNELS
1780760 RECOVERY BOARD MOUNT**

