

ARB **BASE RACK**

FITTING INSTRUCTION

Part Number(s): **17932010**

Product Description: **BASE RACK Fitting Kit SUITS 1770040**

Suited to vehicle/s: **LANDROVER DEFENDER MY20 ON**

WARNING

REGARDING VEHICLES EQUIPPED WITH SUNROOF AND/OR ROOF BLIND:

- ◆ When the BASE RACK is fitted, the sunroof will contact the BASE RACK if opened.
- ◆ DO NOT OPEN THE SUNROOF WHEN BASE RACK IS FITTED TO AVOID CONTACT.
- ◆ The sunroof and roof blind function can be disabled by removing a vehicle fuse (refer steps 1-3). This will prevent accidental operation of the sunroof and prevent contact occurring.

REGARDING VEHICLES EQUIPPED WITH SRS AIRBAG:

When installed in accordance with these instructions, the cab rack does not affect operation of the SRS curtain airbags.

ALSO, NOTE THE FOLLOWING:

- ◆ This product must be installed exactly as per these instructions using only the hardware supplied.
- ◆ In the event of damage to any cab rack component, contact your nearest authorised ARB stockist. Repairs or modifications must not be attempted.
- ◆ Do not use this product for any vehicle make or model, other than those specified by ARB.
- ◆ Do not remove labels.
- ◆ This product or its fixing must not be modified in any way.
- ◆ The installation of this product may require the use of specialized tools and/or techniques.
- ◆ It is recommended that this product is only installed by trained personnel.
- ◆ These instructions are correct as at the publication date. ARB Corporation Ltd. cannot be held responsible for the impact of any changes subsequently made by the vehicle manufacturer.
- ◆ During installation, it is the duty of the installer to check correct operation/clearances of all components.
- ◆ Work safely at all times.
- ◆ Unless otherwise instructed, tighten fasteners to specified torque.

ARB 4x4 ACCESSORIES

Corporate Head Office

42-44 Garden St
Kilsyth, Victoria
AUSTRALIA 3137

Tel: +61 (3) 9761 6622
Fax: +61 (3) 9761 6807

Australian enquiries
North & South American enquiries
Other international enquiries

sales@arb.com.au
sales@arb.com.au
exports@arb.com.au



www.arb.com.au

FITTING REQUIREMENTS

REQUIRED TOOLS FOR FITMENT OF PRODUCT:

TORX KEY SET	HEX KEY SET	METRIC SOCKET SET
TORQUE WRENCH 9-22 Nm	TAPE MEASURE	TRIM REMOVAL TOOLS
Ø 6.5mm DRILL BIT	ELECTRIC DRILL	OSCILLATING MULTI TOOL

HAVE AVAILABLE THESE SAFETY ITEMS WHEN FITTING PRODUCT:

Protective eyewear 	Hearing protection 
--	--

NOTE: 'WARNING' notes in the fitting procedure relate to OHS situations, where to avoid a potentially hazardous situation it is suggested that protective safety gear be worn or a safe work procedure be employed. If these notes and warnings are not heeded, injury may result.

FASTENER TORQUE SETTINGS:

SIZE	Torque Nm	Torque lbft
M6	9Nm	7lbft
M8	22Nm	16lbft
M10	44Nm	32lbft

SAFETY

NET PAYLOAD FOR YOUR BASE RACK

The net payload for your BASE RACK is calculated by subtracting the weight of the BASE RACK and the vehicle mounting kit from the vehicle's roof capacity. The table below gives the BASE RACK net payload for fitting kit 17946030, using the vehicles maximum vehicle roof capacity. The vehicle's roof load capacity may vary between models and driving conditions. Refer to vehicle owner's manual for model and condition specific roof load capacities.

Kit	BASE RACK	Vehicle roof capacity* (kg/lb)	BASE RACK + mount kit (kg/lb)	BASE RACK net payload (kg/lb)
17932010	1770040	100kg (All Season Tyres)	33.7kg	66.3kg
		168kg (All Terrain Tyres)		134.3kg

* Maximum roof load capacity. Refer to vehicle owner's manual for model and condition specific roof load capacities.

It is important to follow these safety instructions;

- Maximum load per BASE RACK beam is 25kg.
- Load must be evenly distributed and adequately secured.
- Any weight carried on the roof of the vehicle will adversely affect its handling, particularly in cornering or in a cross-wind, the vehicle should therefore be driven with increased discretion.
- Regularly check the tightness of the securing clamps and the security of the load.
- Attention is directed to statutory requirements regarding maximum permissible projections from vehicles.

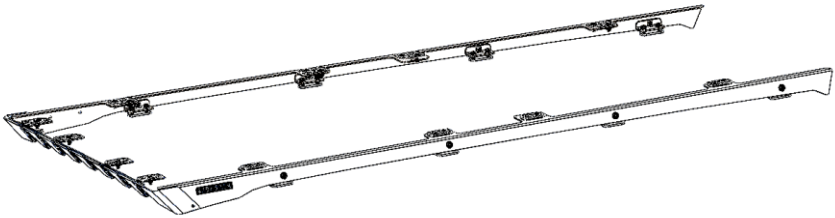
All bolts should be checked prior to touring to ensure the tray is fastened correctly



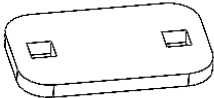
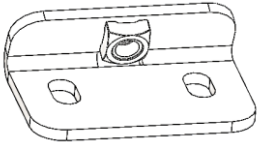
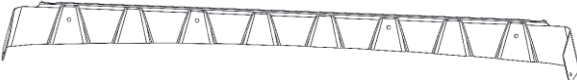
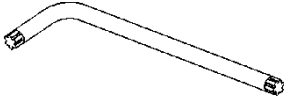
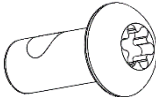
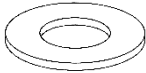
GENERAL CARE AND MAINTENANCE

By choosing an ARB BASE RACK, you have bought a product that is one of the most sought after 4WD products in the world. Your BASE RACK is a properly engineered, reliable, quality accessory that represents excellent value. To keep your BASE RACK in original condition it is important to care and maintain it following these recommendations:

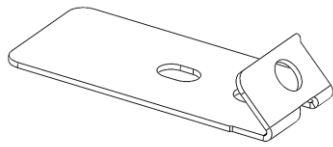
- As part of any pre-trip preparation, or on an annual basis, it is recommended that a thorough visual inspection of the BASE RACK is carried out, making sure that all bolts and other components are torqued to the correct specification. Replace any components as necessary.

Please contact local Authorised ARB Stockist if you would like to have this service carried out on your behalf.

PARTS LISTING - BASE RACK fitting kit			
PART NUMBER	SUITS BASE RACK	QTY	DIAGRAM
17932010	1770040	1	

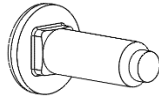
PARTS LISTING 17932010			
PART NO.	PICTURE	QTY	DESCRIPTION
3755895R		1	BRKT BLADE BR RH SUIT DEFENDER
3755895L		1	BRKT BLADE BR LH SUIT DEFENDER
3195790		8	PLATE BR DEFENDER
3755897		8	BRKT BR FOOT DEFENDER
3755896		1	AIR DEFLECTOR SUIT 17932010
6151934		1	TORX ALLEN KEY
6151924		8	SCREW BHD M8x1.25x20
4581085		44	WASHER FLAT M8X19X1.2

3752747



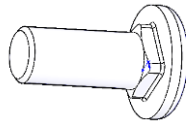
4 BRKT AIR DEF RT MOUNT

6151916



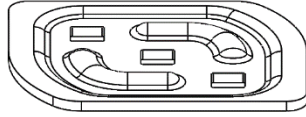
16 BOLT COHD M8X25

6151921



20 BOLT COHD M8X20

3195184



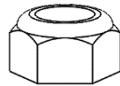
12 PLATE STUD RT M8

6151475



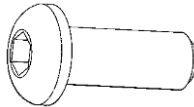
4 NUT U M6X1.0

6151212



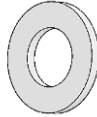
36 NUT HEX NYLOC M8X1.25

6151459



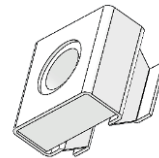
4 SCREW BHD M6x16

4584295



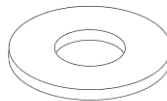
4 WASHER FLAT M6X12.2X1.2

6151300



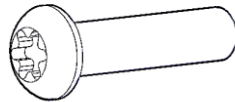
2 NUT M6 CAGED 2.6-3.5MM 956-C

4584327



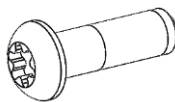
6 WASHER FLAT M6X16X1.2

6151711



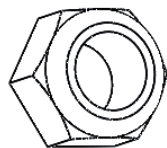
2 SCREW BHD M6x25

6151622



2 SCREW BHD M6x20

6151223



2 NUT HEX NYLOC M6X1.0

4584424



2 WASHER FLAT M6X18X3.0

FITTING PROCEDURE

WARNING

1. The vehicle sunroof will contact the BASE RACK once the product is fitted. The sunroof can be disabled to prevent accidental operation and contact.

Ensure the sunroof is fully closed.

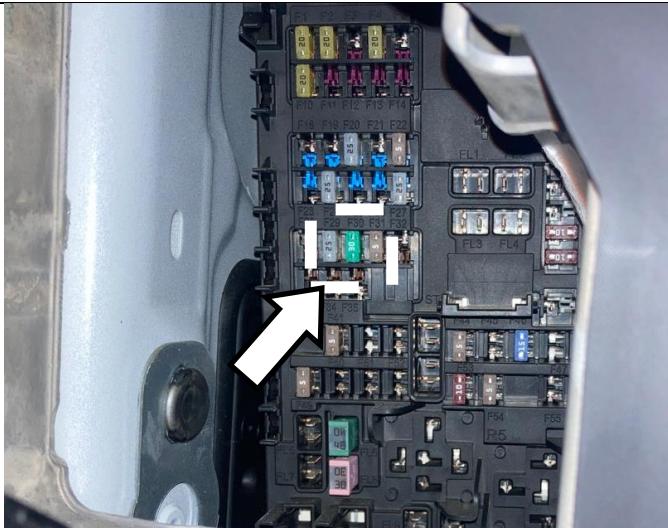


2. Open the passenger side glove box. Push down on the tabs on either side of the glove box and pull forward to disconnect from the hinge and gain access to the fuse box behind.

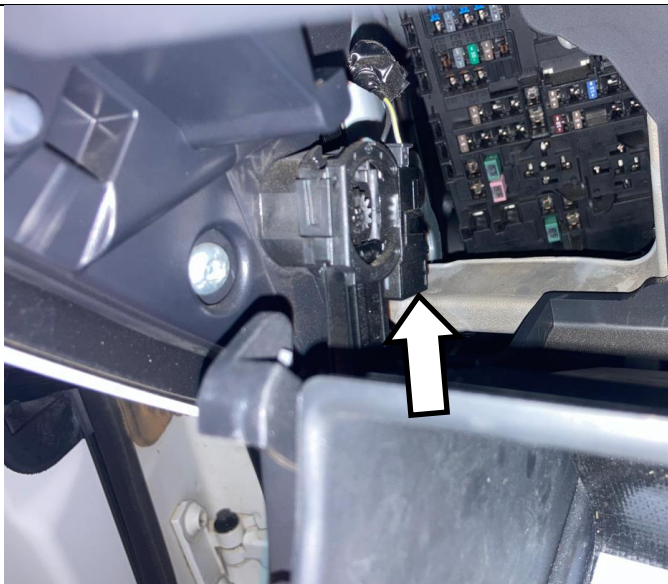


3. Identify and remove the green 30A fuse in fuse socket 30 as shown. Store safely.

The sunroof and roof blind will be disabled. To enable, refit the fuse.



4. Connect the glove box guide leaver and push the glove box back into its regular position.



If vehicle does not have genuine Land Rover ladder skip to **Step 13**.

Note: Ladder will need to be unlocked to enable fitment.



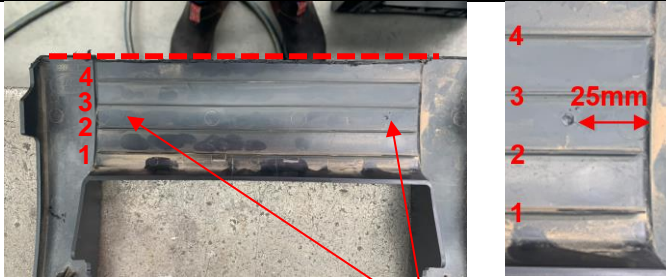
5. Remove top plastic cover of ladder using trim removal tool. Two clips are located at the top as shown and one clip each side at the lower part of the cover.

Caution: Plastic cover is very fragile so use care when removing clips.



6. Remove ladder by removing two M6 screws on vehicle roof rail and two M10 bolts mounted through the side of the vehicle.

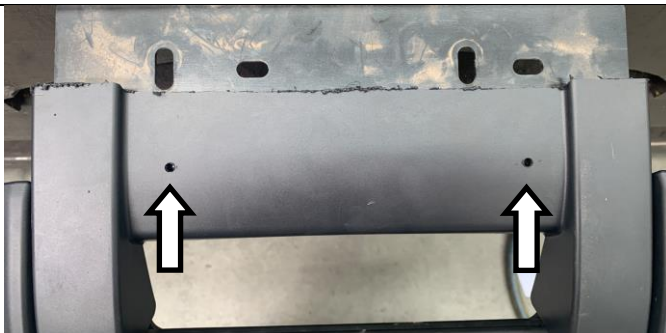
Note: The ladder will need to be unfolded to undo M10 bolts.



Ø6.5mm

7. Flip the cover over and using a multi-tool cut the top of the plastic cover along the fifth rib as shown.

8. Mark the cover 25mm inwards from the vertical rib, between the second and third rib as shown and drill with a Ø6.5mm drill bit, 2 places.



9. Re-attach plastic cover to ladder and, using the holes drilled in **Step 8** as a guide, drill through the steel support plate of the ladder using a Ø6.5mm drill bit.

10. Remove plastic cover again and set aside.

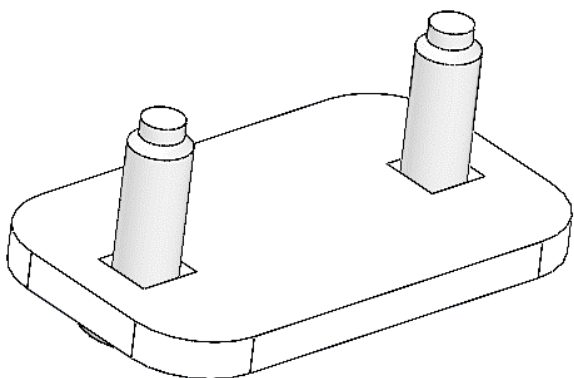
11. Deburr all holes from drilling and apply rust preventative paint to steel support plate.





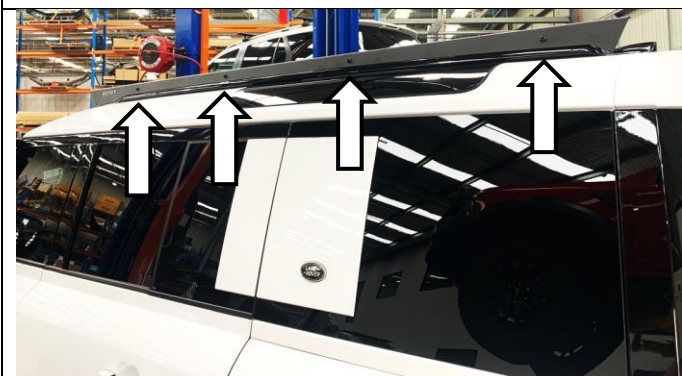
12. Re-fit ladder to vehicle.

Ensure plastic cover is **not** fitted.



13. Insert two M8x25 coach head bolts into eight nut plates as shown and slide into factory roof rails, four each side.

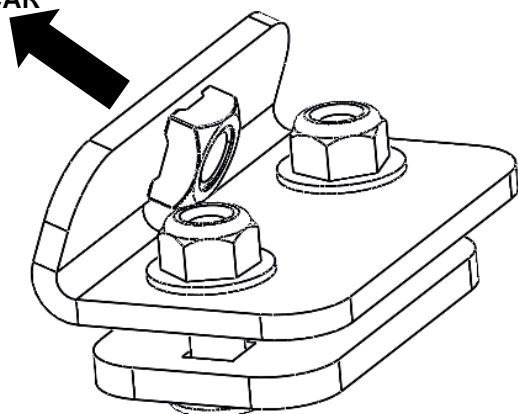
Threads should be facing upwards.



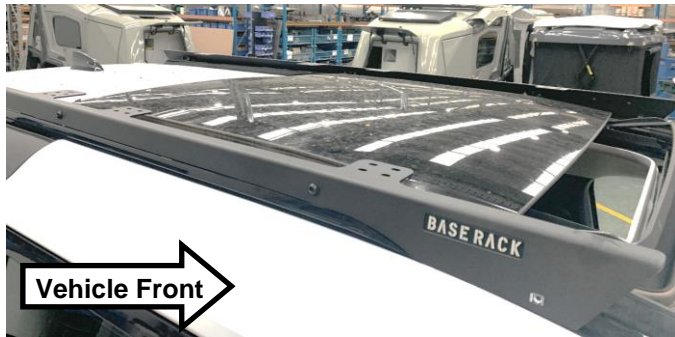
14. Position the nut plates in the factory roof rails as shown.

Note: Place protective material on roof now to reduce the risk of accidental damage to vehicle when mounting the BASE RACK to the vehicle.

OUTSIDE OF
CAR



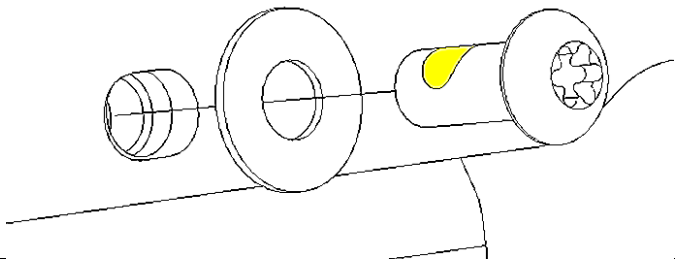
15. Place brackets onto M8 coach head bolts and secure with M8 washers and nyloc nuts. Tighten nuts just enough so the brackets are sitting flat against the rail but can slide for adjustment.



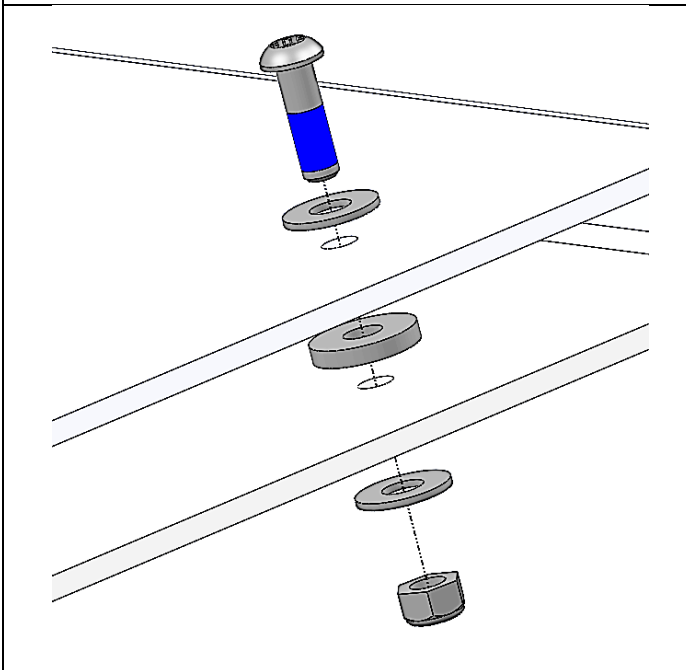
16. Temporarily secure BASE RACK blades to brackets fitted in previous step using M8x19 washers and M8x20 nylon patch screws.

The position of brackets may need to be adjusted to achieve a uniform gap between blades and roof rails.

17. When a uniform gap is achieved tighten fasteners fitted in Step 15.



If vehicle does not have genuine Land Rover ladder skip to Step 19.



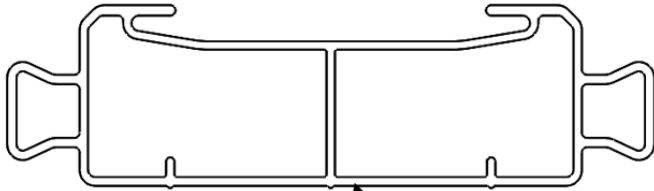
18. Fit plastic cover to ladder using existing clips, M6x20 Torx screws, Nyloc nuts and washers.

Fit 3mm washers between the plastic cover and steel support plate in the ladder as illustrated.

Note: If more material needs to be removed, repeat Step 5-7 remove cover and trim with multi-tool as required.



19. Remove BASE RACK blades from vehicle.



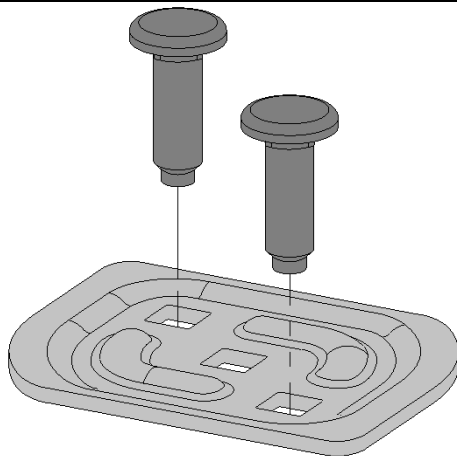
Top face of BASE RACK

20. Place the BASE RACK face down on a clean flat surface. Provide protection to the top face of BASE RACK to avoid marking of surfaces.

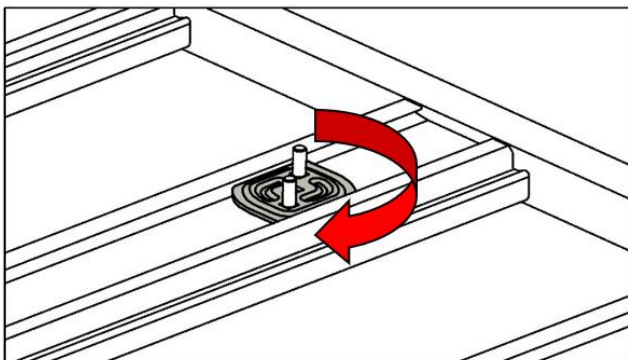


MARK FRONT EDGE

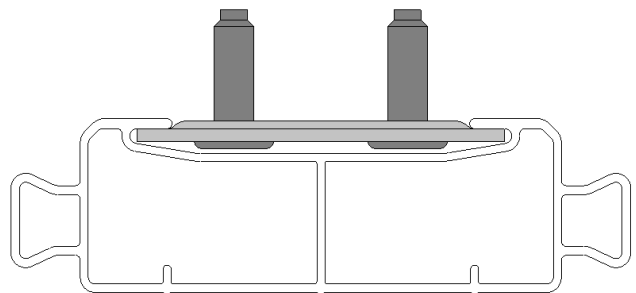
21. Using a tape measure, measure the centre point of the first BASE RACK crossmember and mark using a pencil.

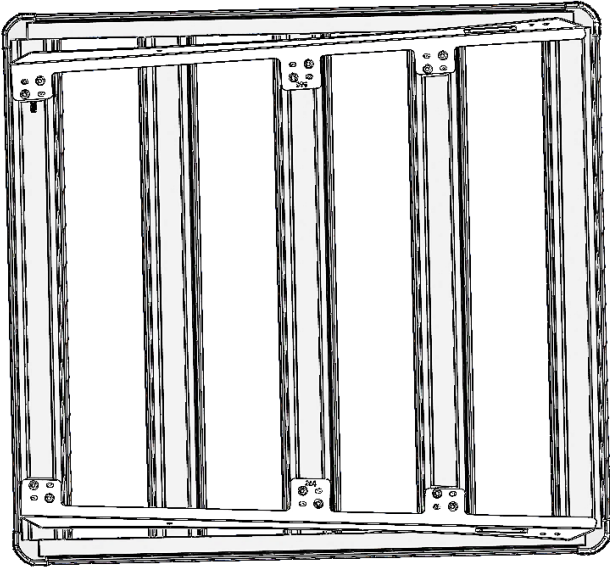


22. Insert two M8 x 25 Studs into eight of the stud plates as shown.



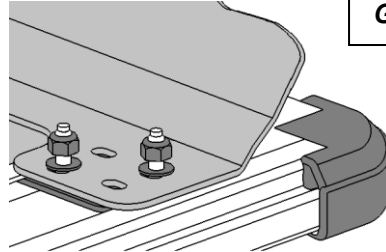
23. Insert the previously assembled stud plates into the correct BASE RACK channels. Rotate the plates 90 degrees.



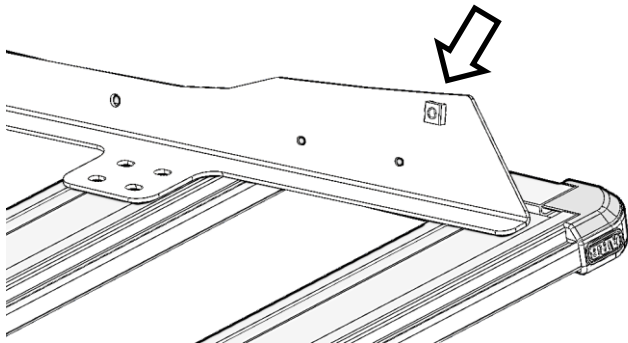


24. Flip the blade brackets over so they are upside down and carefully place on top of the BASE RACK.
When doing so ensure the M8 studs in the stud plates go through the slots.
Secure the blade brackets to the BASE RACK using M8 flat washers and nyloc nuts.

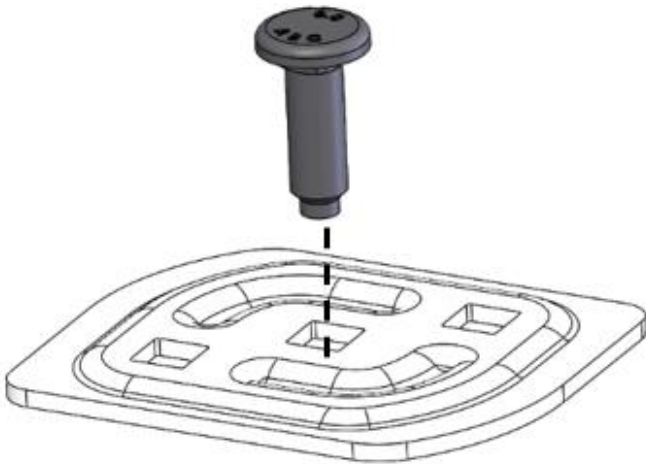
Do not fully tighten: allow each blade to move.



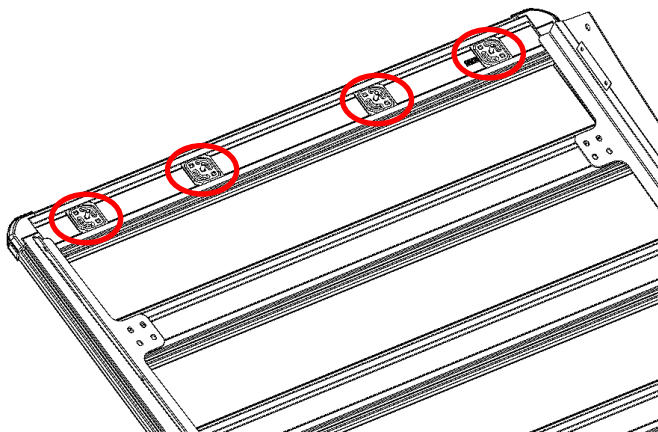
Generic Image



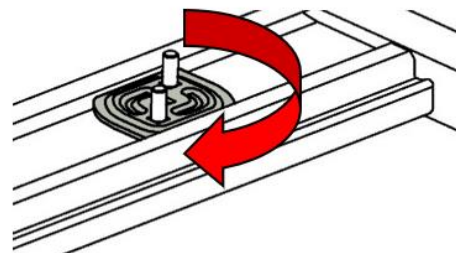
25. Insert M6 cage nut into the square hole in each base rack blade. Ensure that the threads are on the inside.

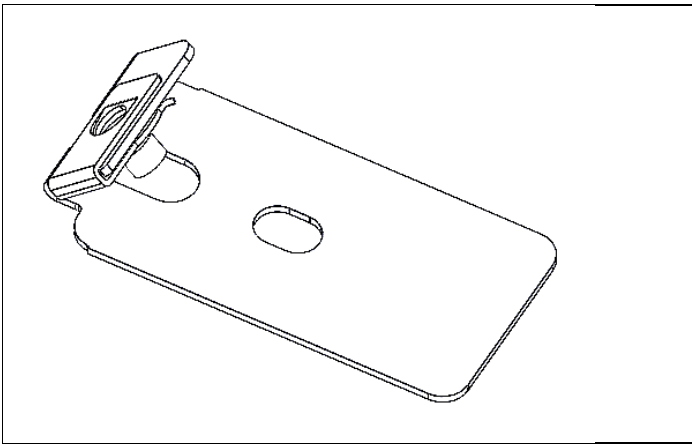


26. Insert an M8 x 25 Stud into 4 of the Stud Plates as shown.

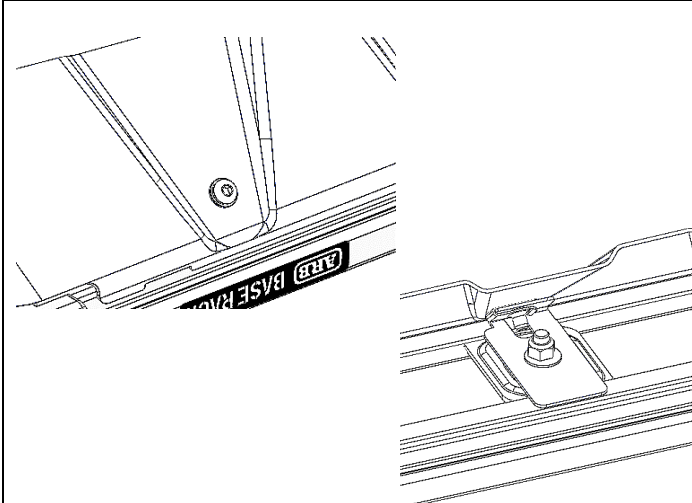


27. Insert the previously assembled stud plates into the front BASE RACK channel. Rotate the plates 90 degrees.





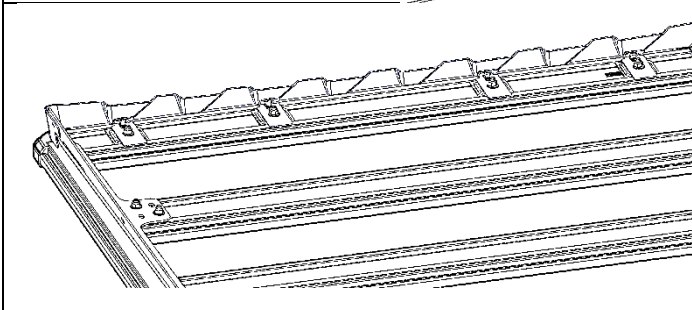
28. Fit M6 U-nuts to the four diffuser brackets as shown. The thread needs to be on the inside.



29. Loosely fit the diffuser to the mounts and brackets as shown.

Use an M8 Nyloc nut and washer to hold the diffuser brackets to the stud plates.

Use M6 screws and washers to hold the diffuser to the brackets.



30. Align the centre of the deflector with the pencil mark from [Step 21](#) and tighten M6 fasteners to specified torque.



31. With assistance, carefully place the BASE RACK on the vehicle so the inside of the blades rest on the outside of the mounting brackets.

The entire BASE RACK assembly should be clear of the vehicle roof.

All mounting holes/slots should align closely.



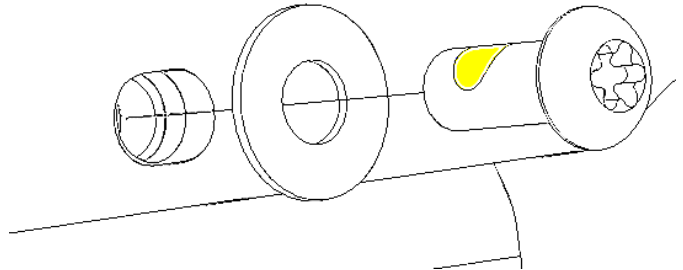


32. Confirm BASE RACK is correctly aligned to vehicle. If not, it is recommended to remove the BASE RACK from the vehicle roof and repeat the mounting process from the measurement.



33. Use the M8 Torx screws and M8 Black washers to secure the blades to the roof mounting brackets and tighten.

 M8 - 22Nm



34. Use M6x25 screws and washers to secure the diffuser to base rack blades using the cage nuts fitted in [Step 25](#).

 M6 - 9Nm

FITTED PRODUCT

