

ARB **BED RACK**

Product Description: **BED RACK CROSS BARS**

WARNING

NOTE THE FOLLOWING:

- ◆ Vehicle accessories which are not properly fitted can be dangerous.
- ◆ Please read these instructions carefully prior to fitting, and comply with the instructions at all times.
- ◆ If in any doubt please contact your nearest ARB state office or the stockist from whom it was purchased.
- ◆ Do not use this product for any vehicle make or model, other than those specified by ARB.
- ◆ This product or its fixing must not be modified in any way.
- ◆ The installation of this product may require the use of specialized tools and/or techniques.
- ◆ It is recommended that this product is only installed by trained personnel.
- ◆ These instructions are correct as at the publication date. ARB Corporation Ltd. cannot be held responsible for the impact of any changes subsequently made by the vehicle manufacturer.
- ◆ During installation, it is the duty of the installer to check correct operation/clearances of all components.
- ◆ Work safely at all times.
- ◆ Unless otherwise instructed, tighten fasteners to specified torque.
- ◆ Check bolt torque after 500km & at regular service intervals.

ARB 4x4 ACCESSORIES

Corporate Head Office

42-44 Garden St
Kilsyth, Victoria
AUSTRALIA 3137

Tel: +61 (3) 9761 6622
Fax: +61 (3) 9761 6807

Australian enquiries
North & South American enquiries
Other international enquiries

sales@arb.com.au
sales@arbusa.com
exports@arb.com.au

www.arb.com.au

SAFETY

NET PAYLOAD FOR YOUR BED RACK

- ◆ Maximum load per BED RACK CROSS BAR is **50kg**.
- ◆ If two cross bars are fitted the total payload is **100kg**.
- ◆ Load must be evenly distributed and adequately secured.
- ◆ Any weight carried on the BED RACK will adversely affect its handling, particularly in cornering or in a cross-wind, the vehicle should therefore be driven with increased discretion.
- ◆ Regularly check the tightness of the securing clamps and the security of the load.
- ◆ Attention is directed to statutory requirements regarding maximum permissible projections from vehicles.
- ◆ If accessories are attached to the bed rack, one cross bar must be fitted at all times.
- ◆ All bolts should be checked prior to touring to ensure the BED RACK is fastened correctly

GENERAL CARE AND MAINTENANCE

By choosing an ARB BED RACK, you have bought a product that is one of the most sought after 4WD products in the world. Your BED RACK is a properly engineered, reliable, quality accessory that represents excellent value. To keep your BED RACK in original condition it is important to care and maintain it following these recommendations:

- As part of any pre-trip preparation, or on an annual basis, it is recommended that a thorough visual inspection of the BED RACK is carried out, making sure that all bolts and other components are torqued to the correct specification. Replace any components as necessary.

Please contact local Authorised ARB Stockist if you would like to have this service carried out on your behalf.

FITTING REQUIREMENTS

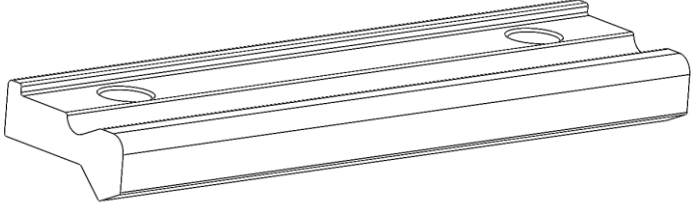
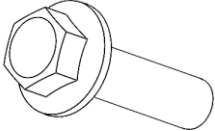
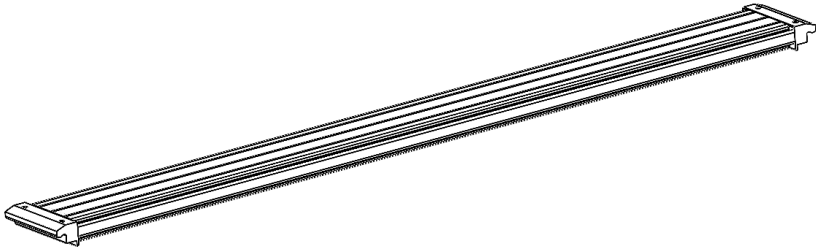
REQUIRED TOOLS FOR FITMENT OF PRODUCT:

METRIC SOCKET SET	Tape measure
TORQUE WRENCH Minimum 22Nm	

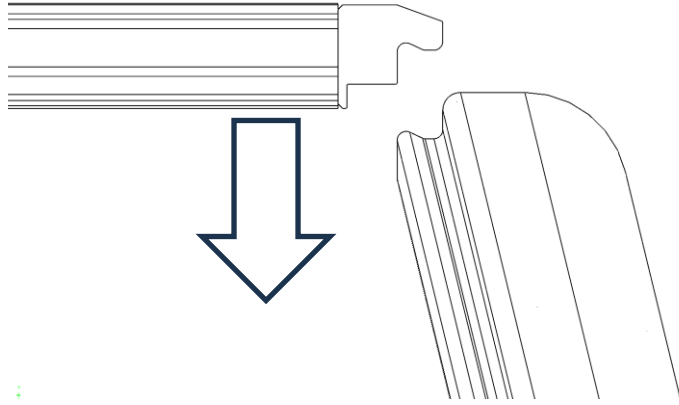
FASTENER TORQUE SETTINGS:

SIZE	Torque Nm	Torque lbft
M8	22Nm	16lbft

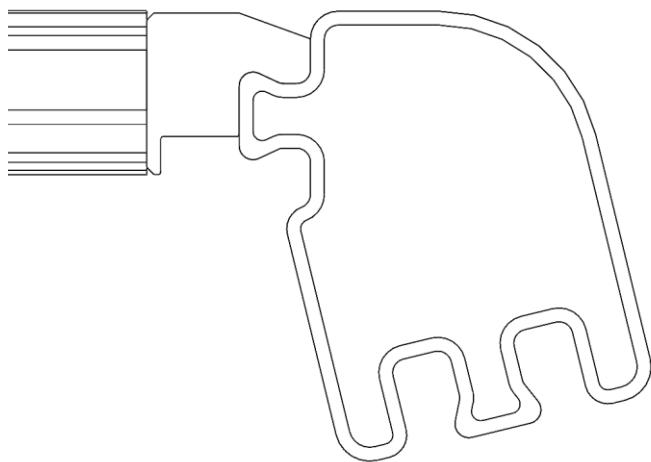
PARTS LISTING – BED RACK CROSS BAR FITTING KIT

PART NUMBER	DESCRIPTION	QTY	DIAGRAM
6582534	LOWER CLAMP	4	
6152153	BOLT HXHD FL M8x1.25x30	8	
Vehicle Specific	CROSS BAR	2	

BEFORE STARTING, READ ALL STEPS OF THE INSTRUCTIONS

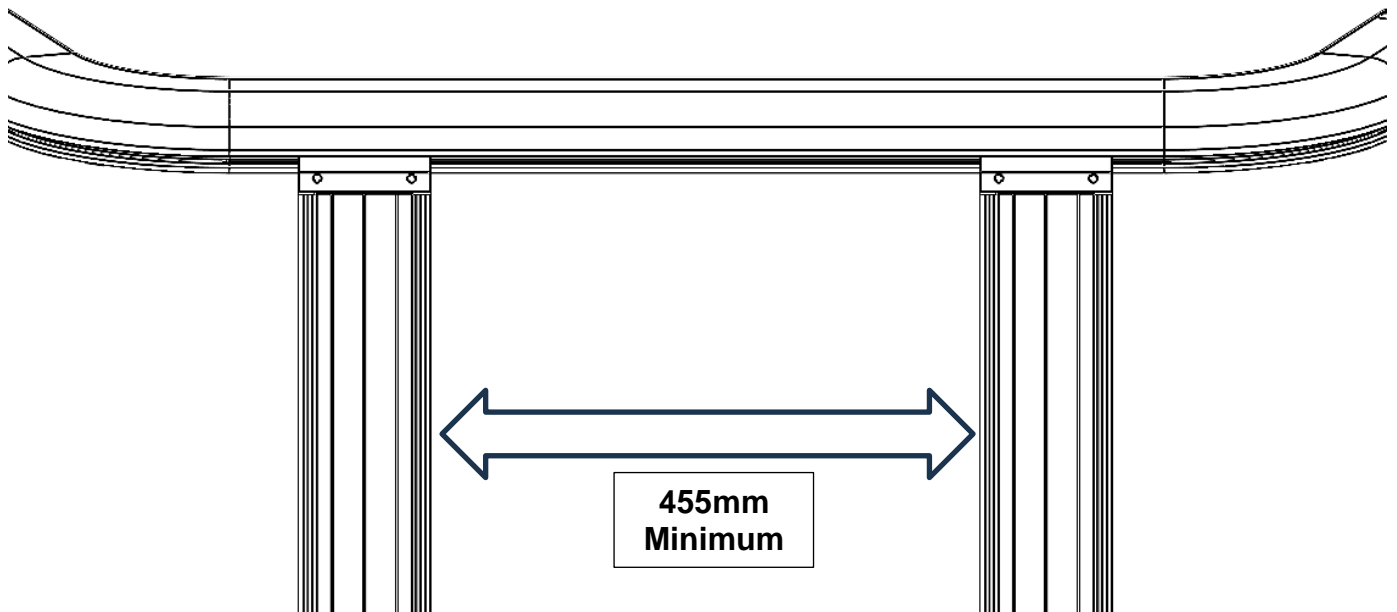


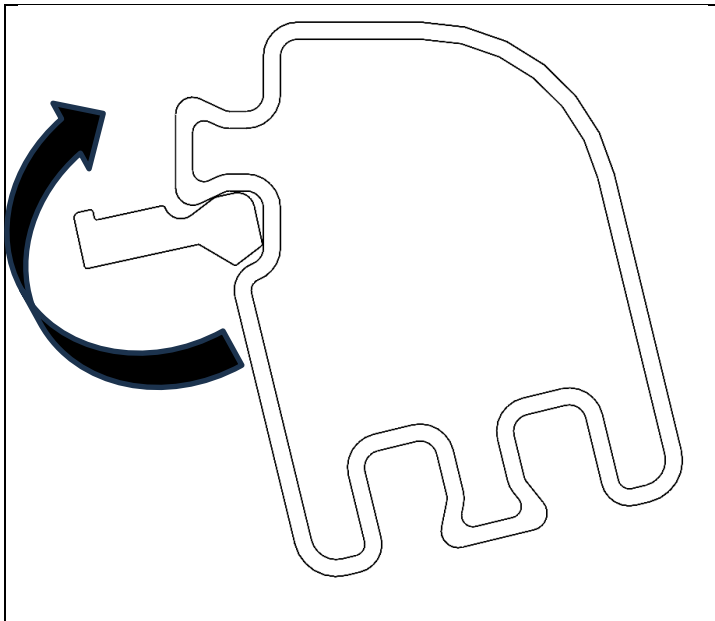
1. Position each cross bar onto bed rack.



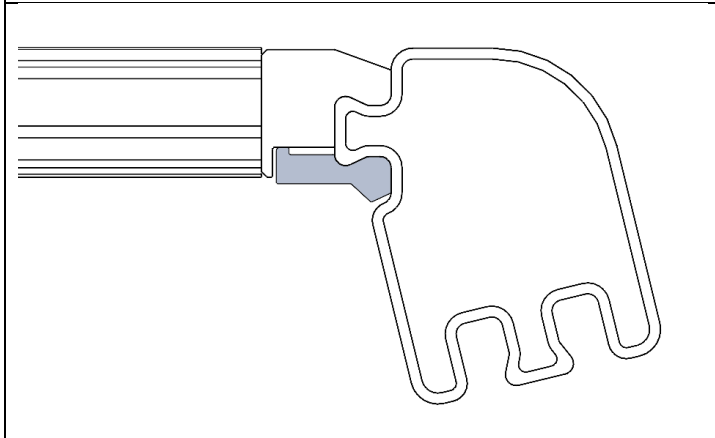
2. Ensure that each cross bar has seated properly on the dove tail.

3. Minimum distance between each cross bar is 455mm.

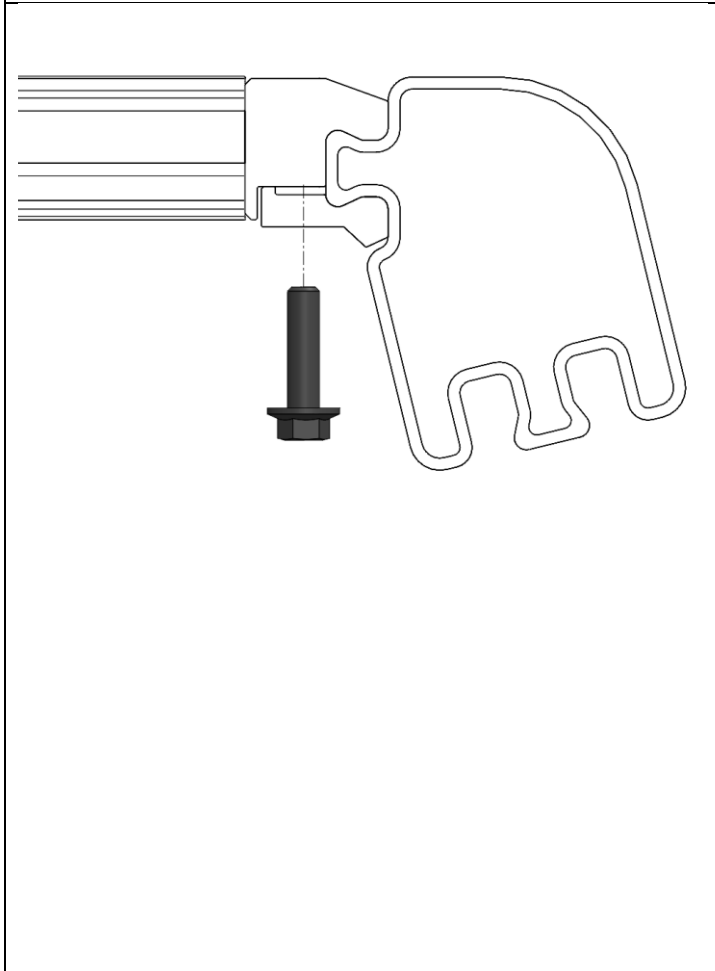




4. Rotate lower clamp into the channel below the dove tail on the bed rack.




5. Align the holes in the lower clamp with those in the cross bar.



6. Fasten each lower clamp with two M8 Flange bolts.

Torque to specification.

 M8 - 22 Nm.

FITTED PRODUCT

