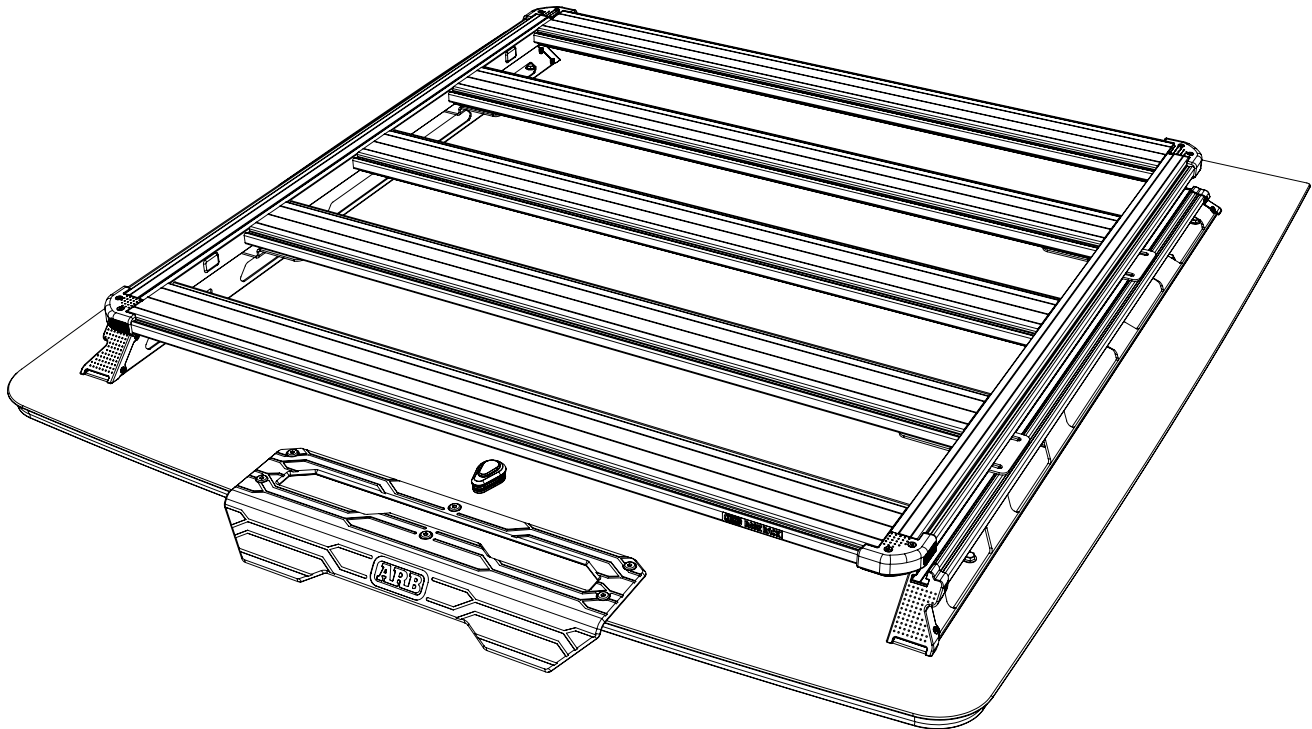


# Base Rack Fitting Instructions For HardLid with Premium Rails

(Note: Base Rack can be fitted directly to the HardLid, please contact your local ARB distributor for Blade Bracket information)

ARB New Zealand	
Kit #	10058244
Instruction #	10058245



**4X4 ACCESSORIES**

## Base Rack Fitting Instructions for HardLid

### READ INSTRUCTIONS CAREFULLY BEFORE COMMENCING THIS ACTIVITY.

1. Install all electrical components first (1 of 3) (electrical components are supplied seperately)
2. Install Vehicle Tub Sealing Kit (2 of 3)
3. Install vehicle tub protective products such as tub liners\*
4. Install styling bar onto HardLid
5. Install the HardLid Fitting Kit (3 of 3)
6. Install the HardLid (3 of 3)
7. Install any additional accessories such as roof racks.

*\*HardLid is compatible with under rail and Sport Guard style tub liners. Some trimming may be required. OEM liner compatibility cannot be guaranteed. Please contact your dealer for more information.*

- HardLid is supplied with 400N Gas Struts which are suitable for an unloaded lid. Recommended maximum loading of 25 kgs when opening the lid. If you require your lid to remain open whilst loaded, you will need to purchase a Heavy Load Strut Upgrade Kit which is available through your local dealer. Please use one of the following part numbers as a reference when contacting your dealer:

ARB NZ Part #	ARB AU Part #	Gas Strut N	
10056207	176202	450N	
10056209	176201	500N	

- Read through the fitting instructions before installation of accessory.
- Check that the contents of the Fitting Kit are complete and undamaged.
- If any contents of the Fitting Kit are found incomplete or damaged they must be replaced using the specified accessory components.
- Always install the accessory following the fitting instructions. Failure to do so may cause damage to the vehicle or the accessory and void the warranty.
- Ensure all recyclable discarded vehicle/accessory components and packaging are disposed following local recycling regulations.
- Safely store and protect any removed vehicle components.
- Ensure all bare metal surfaces are protected using Automotive Bare Metal Primer and touch-up paint.
- Remove all metal swarf and dust from all vehicle surfaces.
- Ensure all fasteners are torqued to the specifications as per instruction.
- Apply any adhesives to the vehicle only when the surface temperature is between 20°C to 40°C.
- **Bedliner:** Recommended rust preventative solution be applied to vehicle surfaces before installation.

#### General Vehicle and Accessory Warranty Notes and Cautions

- For correct installation and proper operation of the vehicle and accessory we recommend this accessory is fitted by a qualified Technician.
- During the accessory fitment ensure all automotive safety practices and regulations are followed.
- Do not modify the vehicle in any way other than specified in these Accessory Fitting Instructions as this may void the warranty.

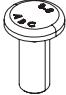



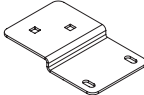
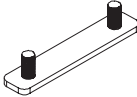
#### Safety Notes

- Check that all work practises comply with safety standards.
- It is advisable to seek assistance from another person when lifting heavy components.
- While using power tools ensure safe procedures are followed.
- Appropriate clothing & PPE must be worn.


## Base Rack Fitting Instructions for HardLid

**READ INSTRUCTIONS CAREFULLY BEFORE COMMENCING THIS ACTIVITY.**

### Kit Contents- Hardware

No.	Item Description	Quantity	Image	Part Number
1	M8X20MM COACH BOLT	8		6151921
2	M8 NYLOC NUT	16		6151212
3	M8 WASHER	16		4581085
4	BASE RACK INTERNAL PLATE	4		3195184
5	MOUNT BRACKET	4		10058242
6	LATCH PIN LUG PLATE	4		10055785

### Tools Required

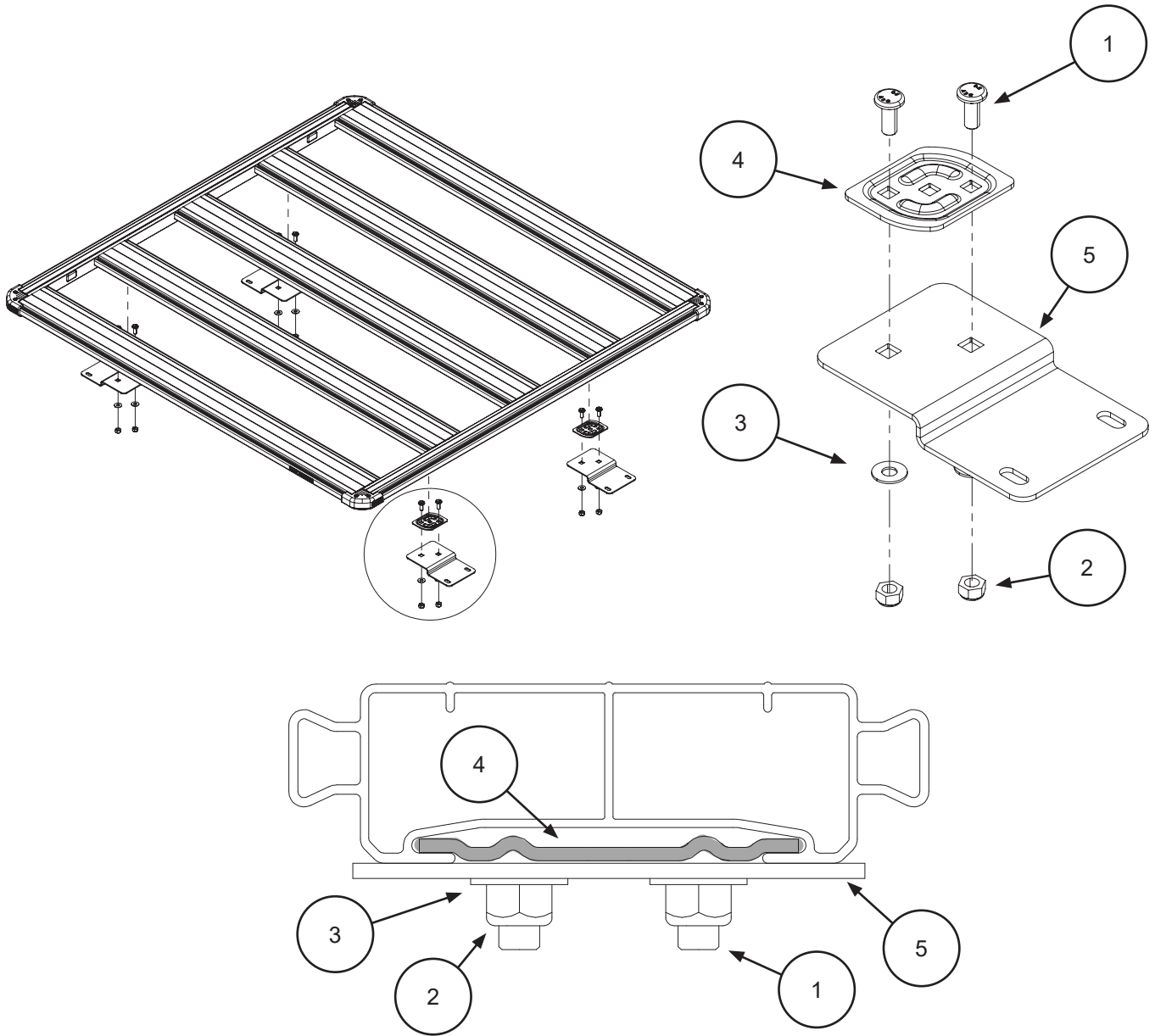
No.	Description	Image	No.	Description	Image
1	13mm Crescent				

# Base Rack Fitting Instructions for HardLid

**READ INSTRUCTIONS CAREFULLY BEFORE COMMENCING THIS ACTIVITY.**

## Step 1

- Insert and attach the Base Rack Internal Plate (4) to the bottom of the Base Rack.
- Do not fully tighten the fasteners as the brackets will need to be adjusted.



## Base Rack Fitting Instructions for HardLid

**READ INSTRUCTIONS CAREFULLY BEFORE COMMENCING THIS ACTIVITY.**

### Step 2

- Place the Lug Plates (6) into the top channel of the rail.
- Slide the Mount Brackets to the correct position and fasten to the rail.
- Ensure the Base Rack is centred.
- Torque all fasteners to 15NM.

