



TRANSIT 363



PRODUCT INFORMATION

Airbag Man Rear Axle Full Air Suspension Kit incorporates on-board air control which is a fully automatic, Electronically Controlled Air Suspension (ECAS) System. When fitted the system provides comfort while maintaining a programmed ride height irrespective of the load.

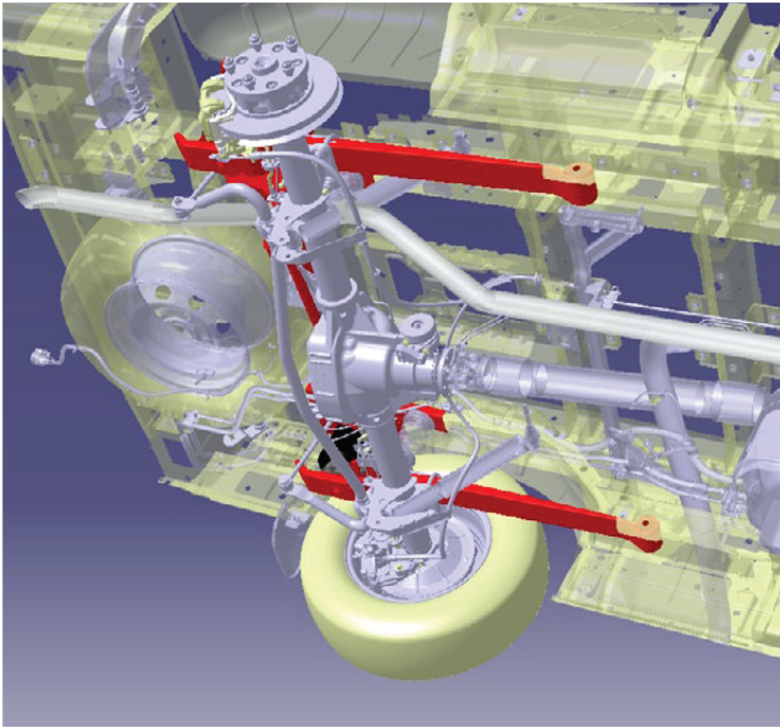
Multiple vehicle heights are available at the push of a button. The on-board system has automatic load levelling at each height which continuously monitors inputs and component performance as a means of increasing safety and durability.

The on board system recognises and responds accordingly to potholes, cross-articulation and extended turns. This intelligence prevents unnecessary activity and air consumption, it even recognizes unachievable heights, assisting in the prevention of possible damage above or below the vehicle.

FEATURES & BENEFITS

- » Increased comfort and enhanced driving experience.
- » Vehicle stability safely improved under all load conditions.
- » Vehicle less sensitive to high cross winds resulting in reduced sway and improved handling.
- » Individual adjustment of the airspring pressure allows side to side height adjustment.
- » Optimised geometry (Drive line angles).
- » Constant ride height - load independant.
- » 3 predefined height settings or manual height control with easy to use handheld controller.
- » Fully tested, approved and homologated by the Original Equipment Manufacturer and TUV.
- » High-quality components manufactured in Europe and USA.
- » Fully EMC tested and approved to Australian Standards.
- » Heavy Duty Firestone Airbags, The Worlds Number 1 Air Spring Manufacturer.

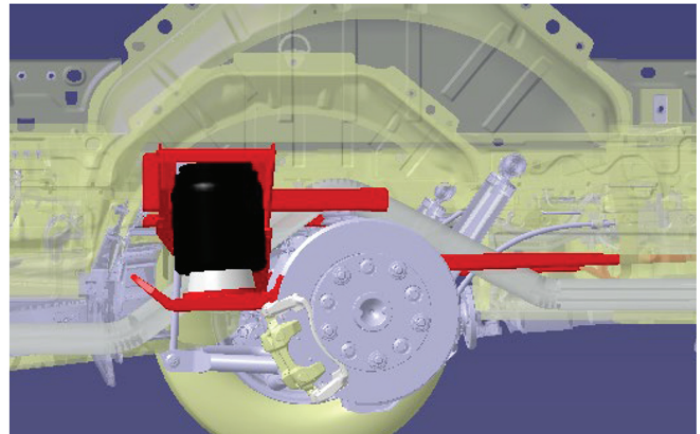




Handheld Controller
2 Corner Handheld

TECH SPECS

- » **Model** Ford Transit 363
- » **Year** from 2014 to present day
- » **Kit weight** 80kg
- » **Control System** IntelliRide, a user friendly automatic height control system
- » **Compressor** AMK 12V, max. 12 bar
- » **Additional Notes** Full Air Suspension Kit for Rear Axle



Bag It With The Best™
airbagman.com.au