

**IMPORTANT - READ BEFORE USE**

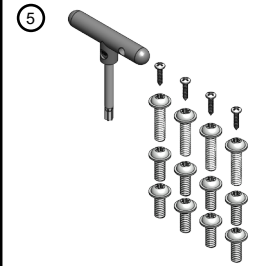
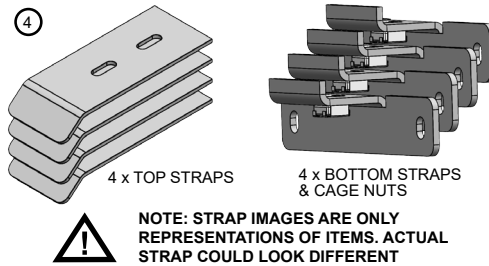
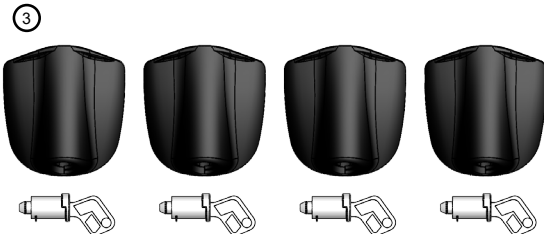
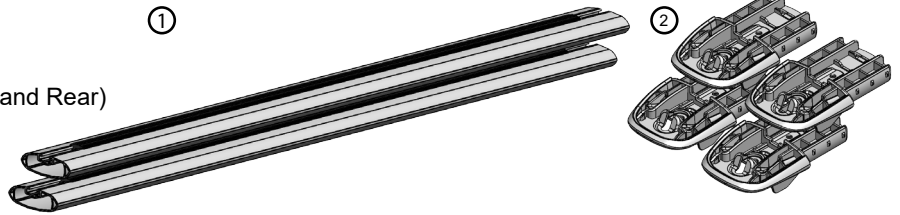
Please ensure that the system is fitted in accordance with the fitting instructions. It is important that you observe all outlined below.



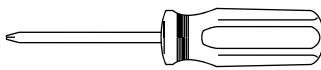
KIT COMPONENTS

Your RBXL Kit should contain:

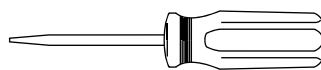
1. 2 x Cross Bars and Buffer Strips (Front and Rear)
2. 4 x End Supports Chassis
3. 4 x Covers and Locks
4. 4 x Top and Bottom Straps
5. 1 x Small Parts and Hardware Kit



You will require the following tools:



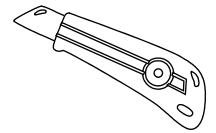
PHILLIPS HEAD SCREWDRIVER



FLAT HEAD SCREWDRIVER



RUBBER MALLET



SAFETY KNIFE

**ASSEMBLY OF CROSS BARS**

Please check your roof rack box to ensure you have received all components. Read these instructions thoroughly before commencing installation. (Please contact your dealer if your KIT is incomplete)

1. Ensure that the Rail Bars are clean; free from dust and grease.
2. Pre-assemble the End Supports Chassis into Cross Bars. They are designed to be a tight fit: Use a rubber mallet if necessary (Fig.1).
3. Slide Top Strap into End Support Chassis (as shown in Fig 2). Fit Star Head Bolt through the slot closest to the curled end of the Top Strap. This will allow correct Strap alignment while fitting Screw in Step 4.
4. Push rubber Buffer Strip back about 20mm until you can see the screw hole in the cross bar. Using a Phillips head screwdriver, fasten the Pan Head Screw through the Cross Bar and into the End Support Chassis (Fig 3). Replace Buffer Strip.
5. Place the Cross Bars on the vehicle rails at the designated anchor points in the rail (Fig 4). Make sure the Cross Bars are conveniently placed on the vehicle's roof whilst considering the following:
  - Roof mounted Aerial clearance
  - Sunroof operation

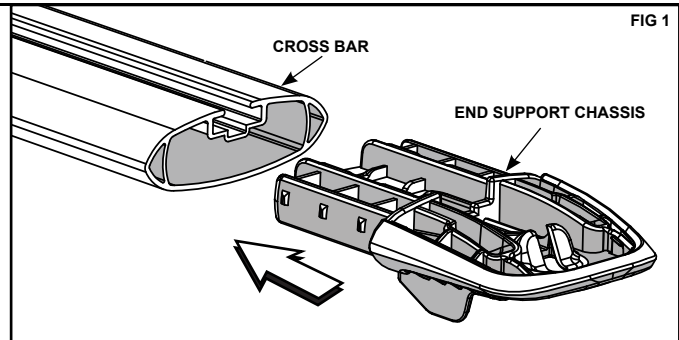


FIG 1

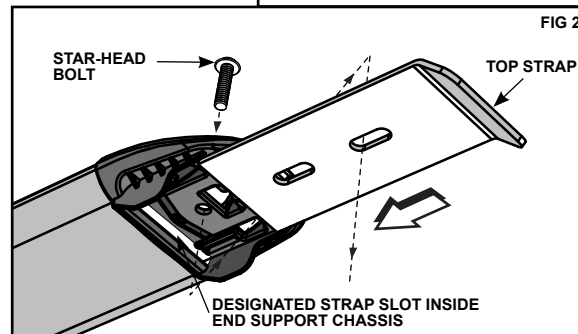


FIG 2

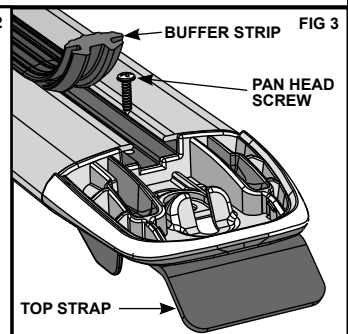


FIG 3

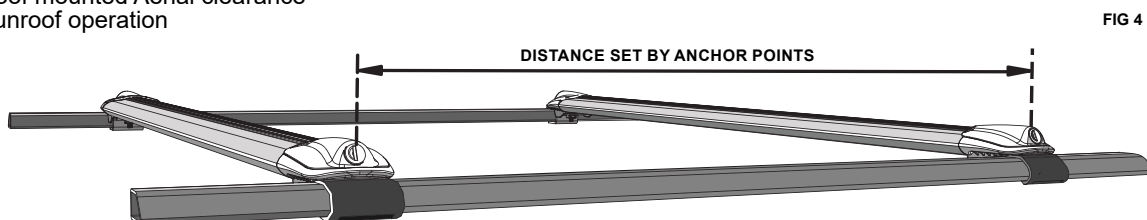
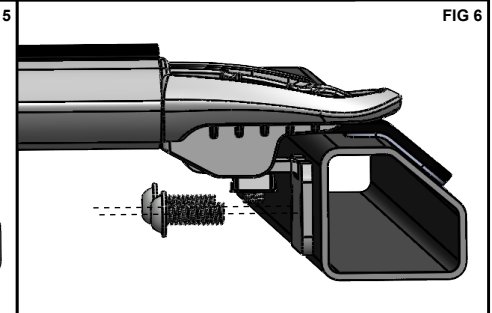
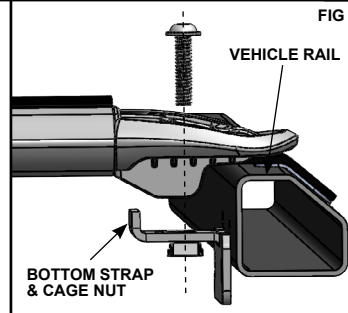


FIG 4

FITTING INSTRUCTIONS

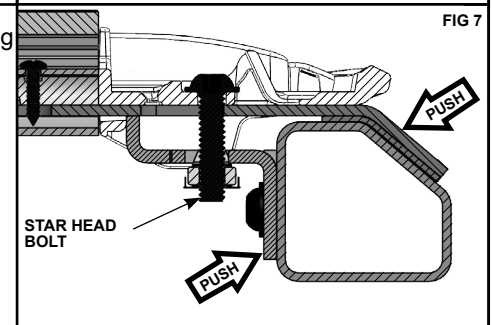
## FITTING OF CROSS BARS TO VEHICLE

6. Place Bottom Strap under the Top Strap with the Tab facing inward and upward (Fig. 5). While holding the Bottom Strap in place loosely fit the longer Star Head Bolt with Key provided. Fit each corner in this manner. Check that the Cross Bars are centrally located between the vehicles Rail Bars.



7. Using the shorter Star Head Bolts, secure the bottom strap to the vehicle rail using the threaded holes located within the rail (Fig 6).

8. Gradually tighten bolts alternatively ensuring Straps are properly engaged, until even tensioning is achieved. While tightening the Bolts pull the Bottom Strap out while pushing the Top Strap in (Fig 7) (**Do not over-tighten bolts**).

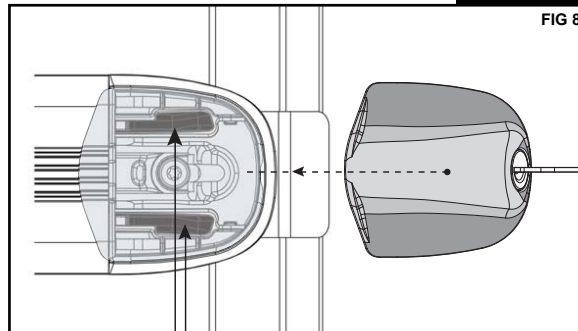


Ensure that both crossbars are parallel to each other and that the straps are tightly mounted against the roof rail. Ensure that the bolts are tightened and that the crossbars are well secured. Perform a quick check by tugging on the crossbars back and forth.

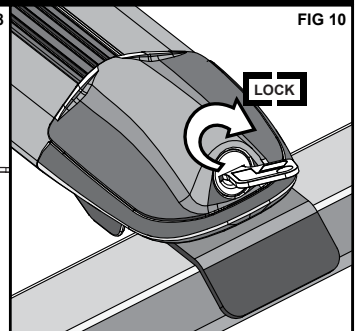
PUSH STRAPS HARD AGAINST RAIL WHILE TIGHTENING

## INSERTING COVERS

9. Remove Covers from the roof rack kit. Locate the 2 ribs on the underside of the Cover (Fig 9). There are also two designated channels on the End Support Chassis into which these ribs locate (Fig 8).

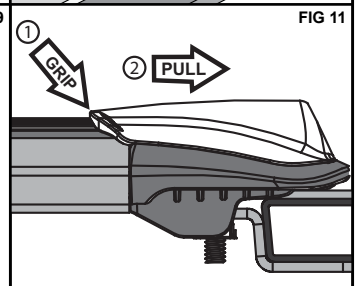
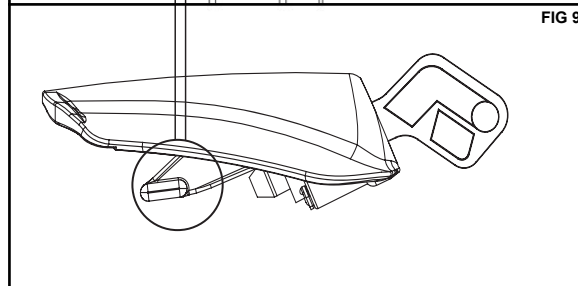


10. Insert the Cover into the End Support Chassis by sliding it through the channels until they positively engage into place and click. Do this for all 4 Covers.



## LOCKING AND REMOVING COVERS

11. Your Cover keys should now be inserted into all 4 covers. With the keys in place, lock the cylinder by rotating 1/4 turn clockwise (Fig 10). Repeat this process for all 4 Covers. Please store the keys in a safe place, i.e.. with car keys or in vehicle's glove compartment.



12. To remove the Covers, firmly grip the edge of the Cover with your fingers (as shown by arrow ① in Fig. 11), and pull the Cover towards you (arrow ② in Fig. 11)

Ensure the Covers are locked into place on the End Support when you store your roof racks away.

## GENERAL USAGE INFORMATION



### REGULARLY CHECK THE TIGHTNESS OF LOCKING STRAPS.

Loads should be evenly distributed and secured. A number of accessories for carrying special loads are available. Only use **NON-STRETCH** tie down straps.

Any weight carried on the vehicle will adversely affect its handling particularly in cornering or in a cross wind and the vehicle should therefore be driven with increased caution. Refer to the attached load rating sheet for carrying capacity.

For full warranty information, visit our website: [www.rola.com.au](http://www.rola.com.au).