



# LADDER RACK

FITTING INSTRUCTIONS FOR RCLREXTN, RCLREXTNR, RCLRSTEP & RCLRSTEP R



Read entire fitting instruction prior to installation

## CONTENTS

Check your kit contains all the parts listed for your Ladder Rack

### Retainer Clamp Kit (25-0322):

x3



M8 x 20 Button Head Bolt x4



M8 x 16 Washer x4



Retainer Clamp x4



M8 Drop-&-Turn Nut x4

### Front Hardware Kit (25-0323):

x1



M8 x 10 Button Head Bolt x2



M8 Nut x2



M8 x 16 Washer x2



M8 Nyloc Nut x2



M8 x 20 Hex Head Bolt x2

### Rear Hardware Kit (25-0324):

x1



M8 x 10 Button Head Bolt x2



M8 Nut x2



M8 x 16 Washer x4



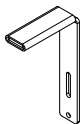
M8 Nyloc Nut x4



M8 x 20 Hex Head Bolt x4

### Retainer Arm Kit (RCRA):

x1



Retaining Arm With Rubber x2



M8 x 16 Washer x4



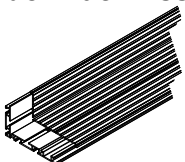
M8 Nyloc Nut x4



M8 x 20 Hex Head Bolt x4

### Ladder Rack Assembly (25-0318):

x1

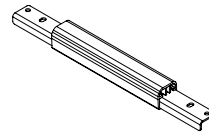


Ladder Rack (aluminium extrusion with low friction inserts) x2

### Stiffener Assembly:

x1

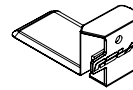
(25-0351 470mm, 25-0352 700mm)



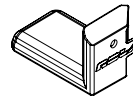
Stiffener & Centre Pad x1

### End Pads:

x1



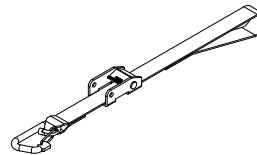
Left End Pad (27-0912) x2



Right End Pad (27-0913) x2

### Retainer Strap & Bracket (RCRS):

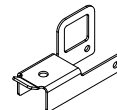
x1



Retainer Strap Assembly x1



M8 Slug x1



Retainer Bracket x1



M8 x 20 Button Head Bolt x1



M8 Nut x1



M8 x 21 Thick Washer x1



M6 Nyloc Nut x1



M6 x 50 Hex Head Bolt x1



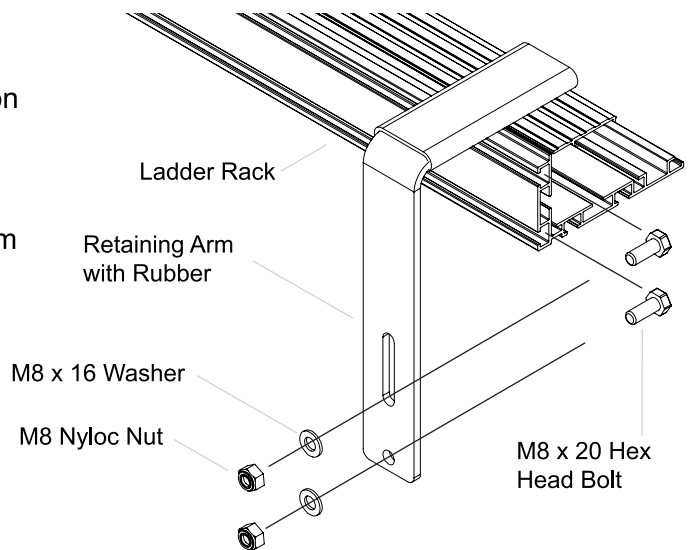
M6 x 12 Washer x1

# FITTING INSTRUCTIONS

## ASSEMBLE LADDER RACK

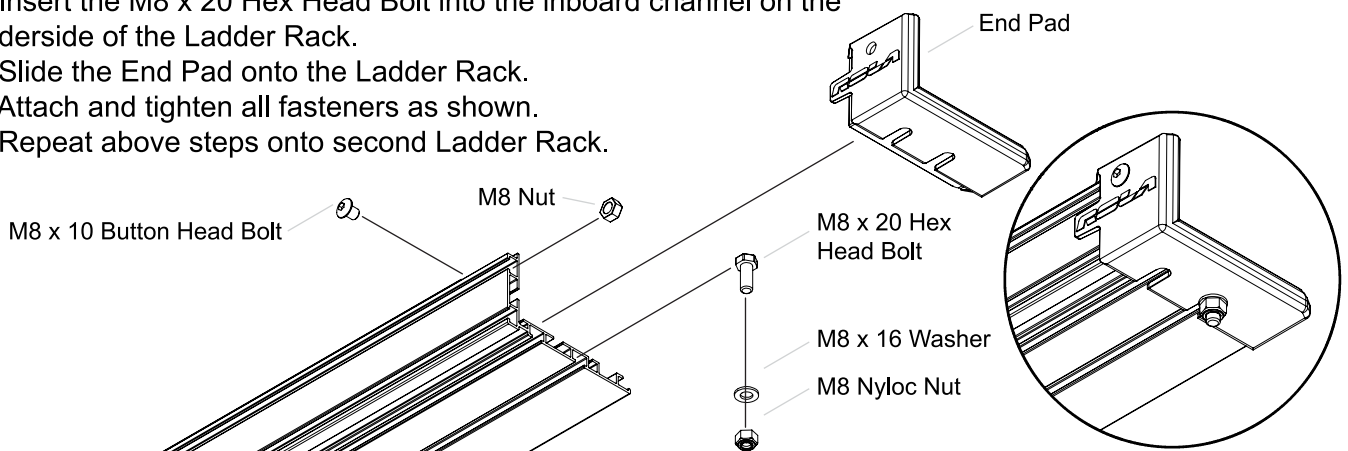
### 1 INSERT RETAINING ARMS

1. Insert M8 x 20 Hex Head Bolts into bolt channels on the side of the extrusion.
2. Fit Retaining Arm with the return section facing inwards and install the M8 Washers and Nyloc Nuts.
3. Do not fully tighten until you have the Retaining Arm in the correct position. See step 9.

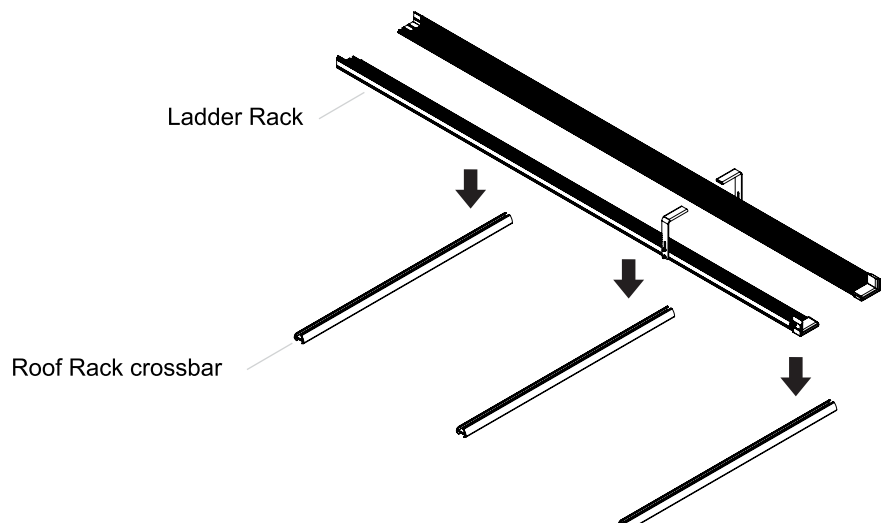


### 2 ATTACH FRONT END PADS

1. Insert M8 Nut into the channel onto the side of the Ladder Rack.
2. Insert the M8 x 20 Hex Head Bolt into the inboard channel on the underside of the Ladder Rack.
3. Slide the End Pad onto the Ladder Rack.
4. Attach and tighten all fasteners as shown.
5. Repeat above steps onto second Ladder Rack.



### 3 PLACE LADDER RACK ON CROSSBARS

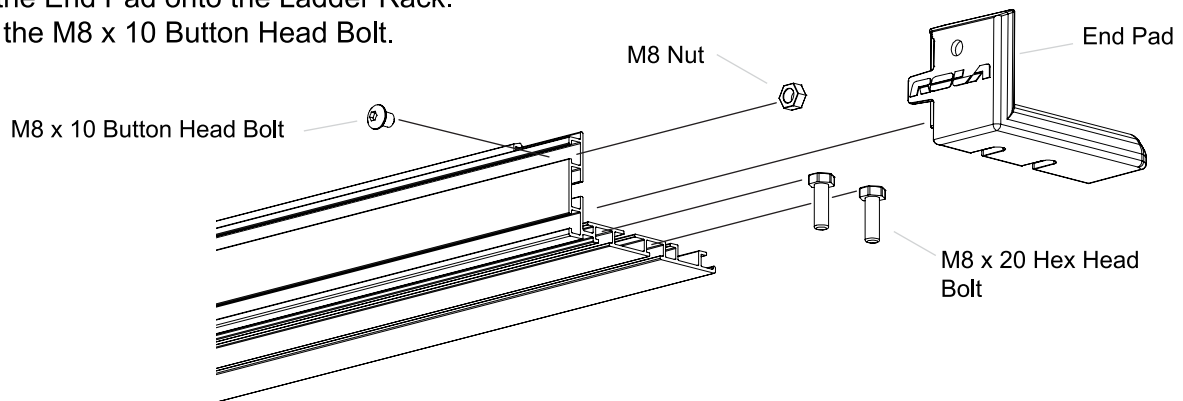


# FITTING INSTRUCTIONS

## ASSEMBLE LADDER RACK

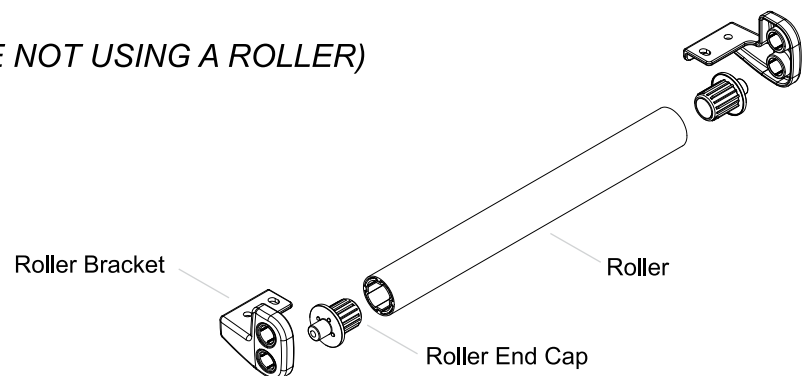
### 4 ATTACH REAR END PADS

1. Insert M8 Nut into the channel on the side of the Ladder Rack.
2. Insert the M8 x 20 Hex Head Bolts into the channels on the underside of the Ladder Rack.
3. Slide the End Pad onto the Ladder Rack.
4. Insert the M8 x 10 Button Head Bolt.



### 5 ASSEMBLE ROLLER (SKIP THIS STEP IF YOU ARE NOT USING A ROLLER)

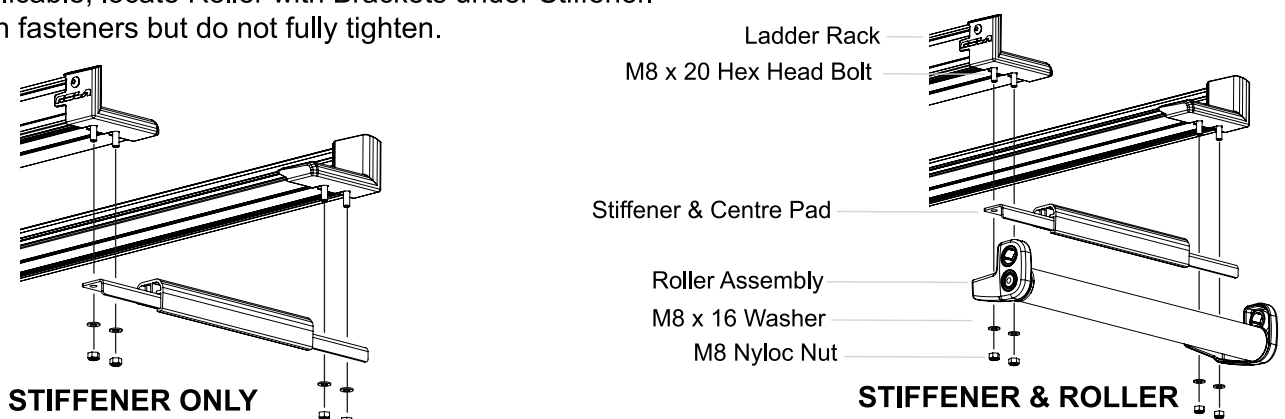
1. Install Roller End Caps.
2. Locate Roller in Roller Brackets.



**i** ROLLER KITS SOLD SEPARATELY:  
RCLR470 TO SUIT RCLREXTN  
RCLR700 TO SUIT RCLRSTEP

### 6 ATTACH STIFFENER (AND ROLLER IF APPLICABLE FOR YOUR CHOSEN SYSTEM)

1. Locate Stiffener with Centre Pad under End Pads.
2. If applicable, locate Roller with Brackets under Stiffener.
3. Attach fasteners but do not fully tighten.

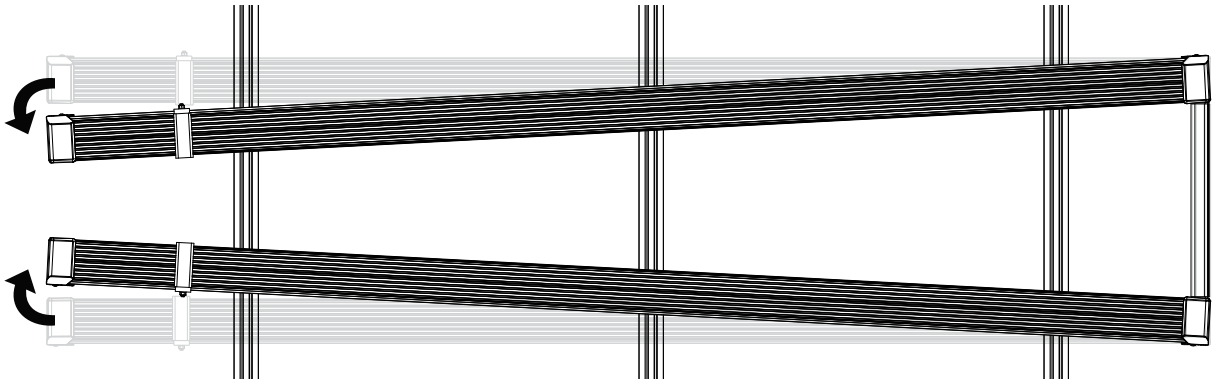


# FITTING INSTRUCTIONS

ADJUST AND TIGHTEN LADDDER RACK TO DESIRED POSITION

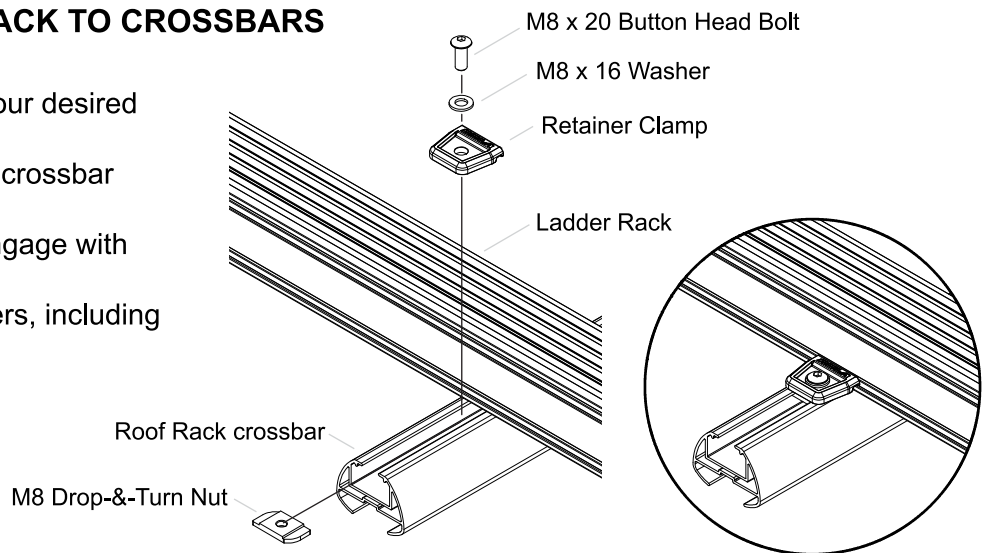
## 7 ENSURE CORRECT TAPER FOR STEP LADDER (ONLY APPLICABLE FOR STEP LADDER - RCLRSTEP. SKIP TO NEXT STEP IF YOU ARE USING AN EXTENSION LADDER RACK - RCLREXTN)

1. Place step ladder on rack and ensure the Ladder Rack follows the taper of the ladder.



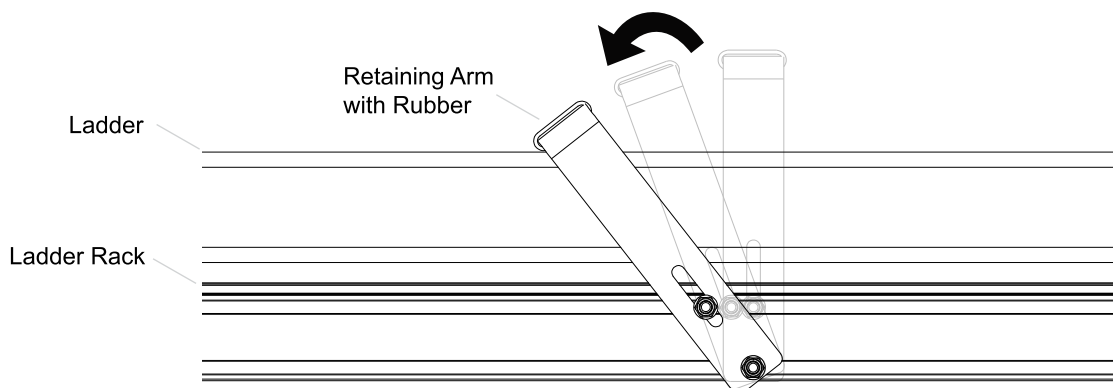
## 8 CLAMP LADDER RACK TO CROSSBARS

1. Ensure Ladder Rack is in your desired position.
2. Insert Drop-&-Turn Nut into crossbar channel.
3. Install Retainer Clamp to engage with Ladder Rack.
4. Securely tighten the fasteners, including those on the end pads.



## 9 FINALISE RETAINING ARM POSITION

1. Place ladder on assembly to check the position of the Retainer Arm.
2. Ensure the Retaining Arms sit just above the ladder by rotating them into position.
3. Securely tighten the fasteners.

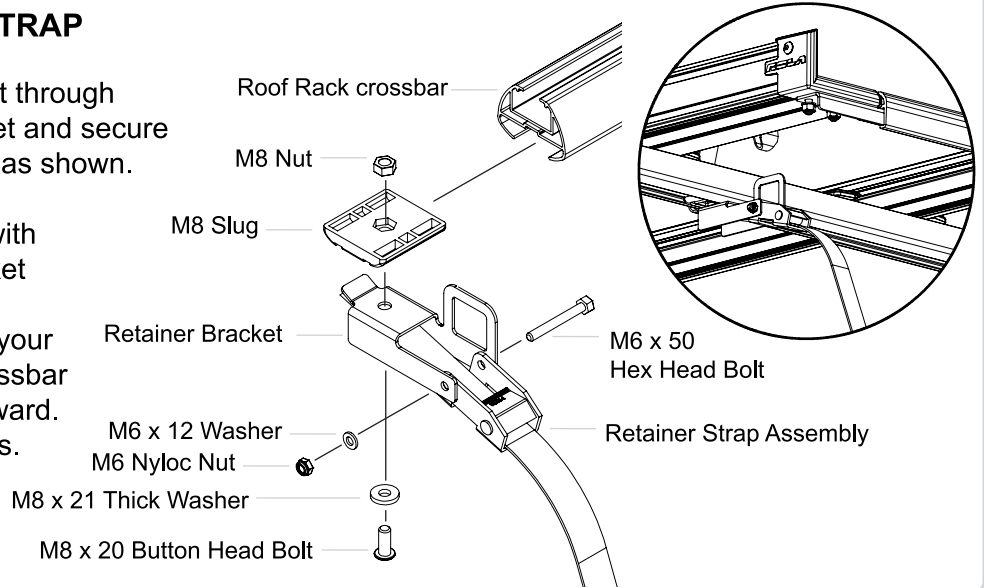


# FITTING INSTRUCTIONS

## SECURING LADDER

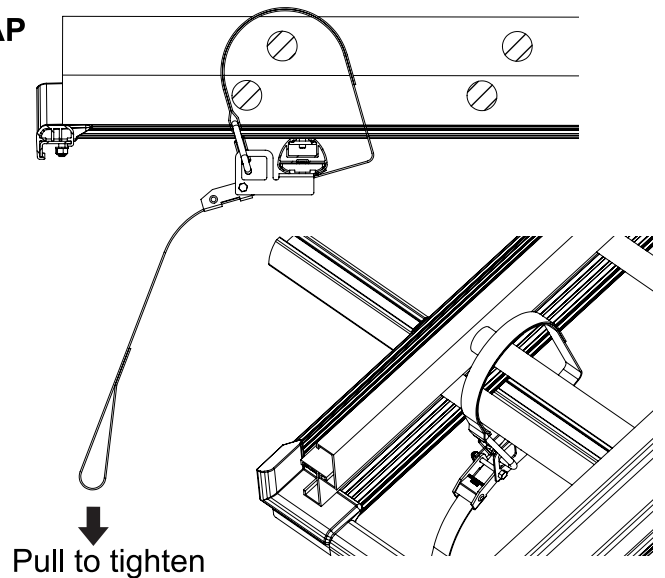
### 10 ATTACH RETAINER STRAP

1. Insert M6 x 50 Hex Head Bolt through cambuckle and Retainer Bracket and secure with M6 Washer and Nyloc Nut as shown.
2. Insert M8 Nut into Slug.
3. Insert M8 Button Head Bolt with Washer through Retainer Bracket and loosely thread into M8 Nut.
4. Slide the whole assembly to your desired location on the rear crossbar with the cambuckle facing rearward.
5. Securely tighten the fasteners.



### 11 SECURE LADDER WITH RETAINER STRAP

1. Thread the Retainer Strap around the ladder rung.
2. Hook the Retainer Hook onto the Retainer Bracket.
3. Pull the strap tight.
4. To release the strap: press the cam down to release strap tension and remove hook from Retainer Bracket.



# CARE FOR YOUR LADDER RACK

## WARNING & CARE INSTRUCTIONS



### IMPORTANT

#### PLEASE READ THOROUGHLY BEFORE USE.

Please ensure the Ladder Rack is fitted in accordance with the fitting instructions. It is important that you observe all recommendations outlined below.

- Routinely and regularly check the proper functioning of the Ladder Rack and Accessories and tighten all screws, bolts, nuts, connections and straps. Immediately replace any worn or damaged components
- Store fitting instructions in the glove compartment of your vehicle
- Recommended maximum carrying capacity is 40kg
- Ensure the load is evenly distributed across Roof Rack

#### Actual load carrying capacity will be restricted by:

- Load carrying capacity of your vehicle (refer to owner's manual). Actual load on vehicle = Roof Rack weight + Ladder Rack weight + Cargo
- Load carrying capacity of your Roof Racks (refer product specifications) Actual load on Roof Racks = Ladder Rack weight + Cargo
- Handling characteristics of the vehicle change when traveling with a load on the roof. Exercise extreme care when transporting larger wind resisting loads. Safe braking distance and negotiating corners should be given special attention
- Safety weight reduction of 1.5 should be observed from the total carrying capacity (eg. 60kg/1.5 becomes 40kg) when used in off-road conditions

## ROLA LADDER RACK

### 5 YEAR WARRANTY

Rola warrants that, subject to the exclusions and limitations below, the Ladder Racks will be free from defects in materials and workmanship for a period of 5 years commencing on the date of sale by the authorised Rola stockist to the original purchaser of the entire Rola Ladder Rack.

If a defect appears in the Rola Ladder Rack before the end of the warranty period and Rola finds the Rola Ladder Rack to be defective in materials or workmanship, Rola will, in its sole discretion, either:

1. Repair the Rola Ladder Rack or the defective component of the Rola Ladder Rack free of charge;
2. Replace the Rola Ladder Rack or the defective component of the Rola Ladder Rack; or
3. Refund the purchase price of the Rola Ladder Rack to the original purchaser. Rola reserves the right to change the design, specifications or composition of the Rola Ladder Rack without notice and without liability.

Rola reserves the right to replace defective products or components with products or components of similar quality, grade and composition, where an identical product or component is not available. Goods presented for repair may be replaced by refurbished goods of the same type rather than being repaired. Refurbished parts may be used to repair the goods.

#### The 5 year warranty does not apply where:

1. The Rola Ladder Rack is not installed in compliance with the fitting instructions provided;
2. The Rola Ladder Rack is not used as intended or designed;
3. Any part of the Rola Ladder Rack is used with other products or components not intended to be used in conjunction with the Rola Ladder Rack;
4. The Rola Ladder Rack has been on-sold or assigned by the original purchaser;
5. The Rola Ladder Rack has been modified or repaired by someone other than Rola or an authorised Rola stockist;
6. Rola cannot establish any fault in the Ladder Rack after testing;
7. The Rola Ladder Rack has been subject to abnormal conditions, including fire, water, humidity, pressure, stress or similar;
8. The defect in the Rola Ladder Rack has arisen due to abuse, misuse, neglect or accident;
9. The defect in the Rola Ladder Rack has arisen due to the unlawful or unusual operation of the vehicle to which it is fitted;
10. The defect in the Rola Ladder Rack has arisen due to the purchaser's failure to properly assemble, install, fit, maintain or use the Rola Ladder Rack in accordance with the specifications and instructions provided by Rola.

For safety and use instructions, please refer to any General or Specific Fitting Instructions and Warning & Care Instructions enclosed within the Rola Ladder Rack or on our website at [www.rola.com.au](http://www.rola.com.au).

This warranty does not extend to fair wear and tear. Warranty claims can be made by contacting Rola directly using the details below. A warranty claim must be accompanied by proof of purchase (such as receipt), details of the alleged defect and appropriate documentation (such as historical and maintenance records where appropriate). The customer must make the product available to Rola or its authorised repair agent for inspection and testing. If such inspection and testing finds no defect in the product, the customer must pay Rola usual costs of service work and testing. It is the purchaser's responsibility to arrange and pay to return the product or component to the place of purchase. The purchaser may seek reimbursement from Rola for the cost of such activities, providing Rola notifies the purchaser in writing that a warranty claim is justified. Any such claims made must be in writing via post or email. The benefits of this warranty are in addition to any rights and remedies imposed by Australian State and Federal legislation that cannot be executed. Nothing in this warranty is to be interpreted as excluding, restricting or modifying any State or Federal legislation applicable to the supply of goods and services which can not be so excluded, restricted or modified. Our goods come with guarantees that cannot be excluded under the Australian Consumer Law. You are entitled to a replacement or refund for a major failure and for compensation for any other reasonably foreseeable loss or damage. You are also entitled to have the goods repaired or replaced if the goods fail to be of acceptable quality and the failure does not amount to a major failure. Rola makes no express warranties or representations other than set out in this warranty.

**The repair or replacement of Rola Ladder Racks or part thereof, or a refund of the purchase price of the Rola Ladder Rack, is the absolute limit of Rola's liability under this express warranty.**



® Rola

49 Pacific Drive, Keysborough, VIC, 3173

AUS: 1800 812 017

NZ: 0800 698 227

[www.rola.com.au](http://www.rola.com.au)