

Maximum Carrying Capacity: 2-Bars: 60kg; 1-Bar: 30kg

Parts List: (Refer to Fig.1)

Item	Description	Qty.	Part No.
1	Cross Bars & End Cap sets	2	EX1150B
2	End Support	4	MSES017
3	Adaptors	4	
4	Foam	4	
5	M8 x 35 Allan Bolt	2	
6	M8 x 45 Allan Bolt	2	
7	M6 x 30	2	
8	M6 x 27	2	
9	Security key	1	
10	M8 Nut	4	
11	M8 Washer	4	
12	M8 x 20 Hex bolt	4	

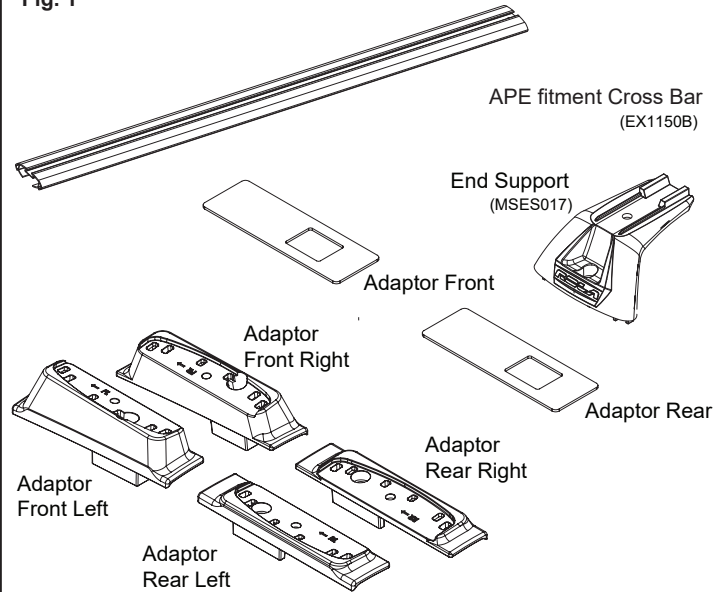
Prior to Assembly

Prior to assembling, check that the kit contains all the parts you will need to fit the Roof Racks. Refer to the Parts List for guidance. Please read these fitting instructions prior to assembly.

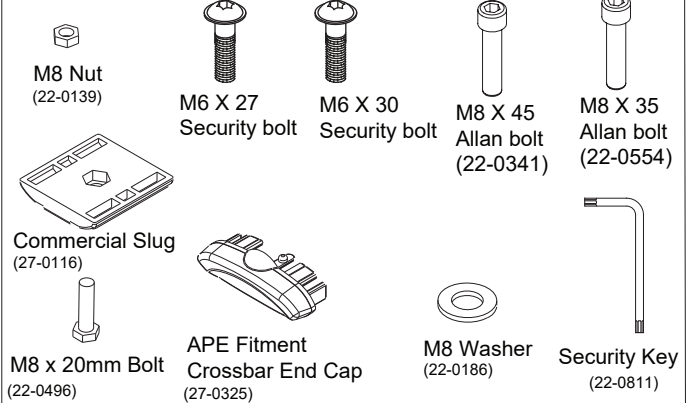
Using the Roof Racks

- A. Refer to 'Care for your Racks' to maintain your Roof Racks.
- B. To load accessories into the Channel of the Cross Bars, remove the end cap and trim the buffer strip as required. Install accessories, re-insert the end cap.

Fig. 1



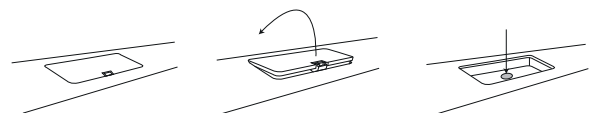
Fit Kit - Hardware



STEP 1

Carefully remove the 4 plastic covers to expose the anchor points.

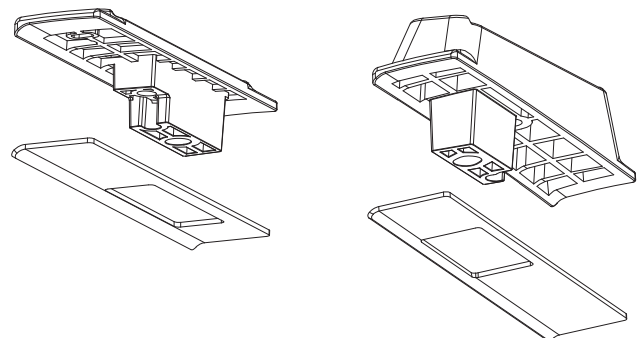
Store caps for use if/when roof racks are removed



STEP 2

Stick foam to the underside of the adaptors

The foam will cover the whole base of the adaptor neatly. The front adaptors have different foam pieces to the rear adaptors.



FAILURE TO FOLLOW THESE INSTRUCTIONS WILL VOID WARRANTY

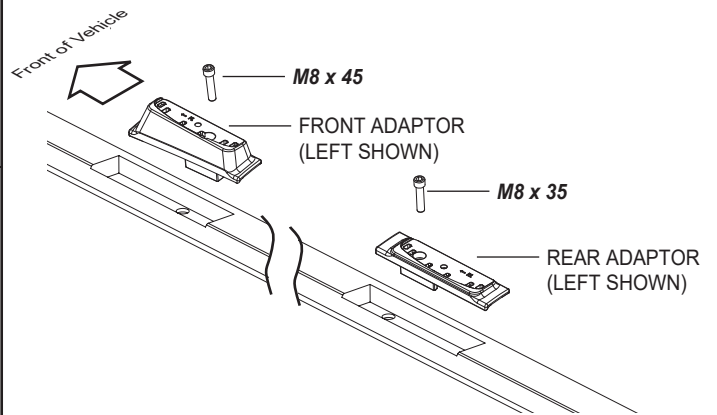
STEP 3

Attach adaptors to roof rail anchor points.
There is an adaptor for each location,
ensure the correct adaptor is used to create a snug fit.

Ensure the correct bolts are used:

Front: M8 x 45mm

Rear: M8 x 35mm



STEP 4

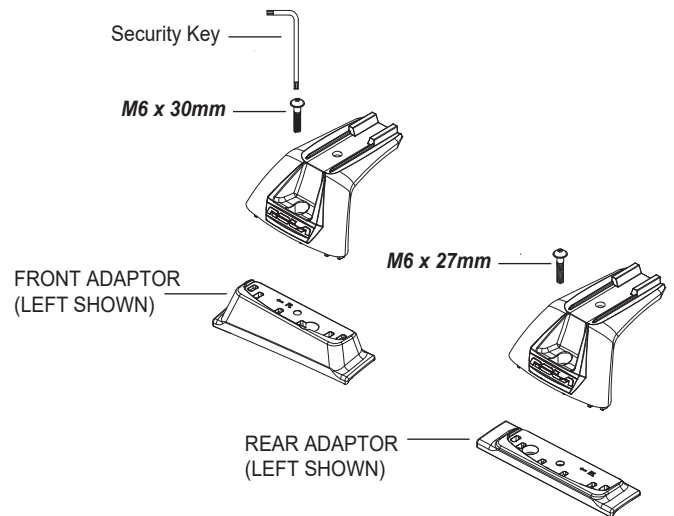
Attach end supports to adaptors with security bolts.

Ensure the correct bolt is used.

Front: M6 x 30mm

Rear: M6 x 27mm

Turn approximately 2-3 turns with the security key
Do not tighten yet.



STEP 5

A. Place the crossbar onto the end supports ensuring that the end supports are located into the cutouts on the underside of the crossbar.
Check that the cross tube has equally distanced overhang on either side from the end support.

B. Insert the M8 nut into the cavity on the Slug Nut.

C. Insert the Slug Nut into the cross tube, and align it so that the M8 nut in Slug and the hole at the bottom of the end support line up.

D. Secure the cross tube to the end support by screwing the M8x20mm bolt through the hole in the end support and up into the nut that is located in the cavity of the Slug nut.

E. Tighten the 20mm bolt on the underside of the end support.

F. Tighten the M6 bolts to approximately 7Nm of torque or a firm hand-tightness.

F. Insert end cap into both ends of the cross tube.

Double check all fasteners are tight

Intermittently check that all Screws and Bolts are sufficiently tightened whilst the Roof Racks are in use.

FAILURE TO FOLLOW THESE INSTRUCTIONS WILL VOID WARRANTY

