

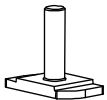
# ROLA

JUST ADD ADVENTURE

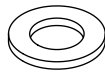
## LOW MOUNT SOLID RAIL

LRREX001-FI

### PACK CONTENTS & FITTING INSTRUCTIONS



**M8 DROP-&-TURN BOLT (22-0924)**  
x4



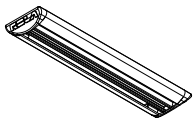
**M8 FLAT WASHER (22-0195)**  
x12



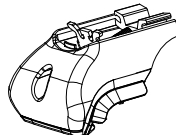
**M8 SPRING WASHER (22-0162)**  
x12



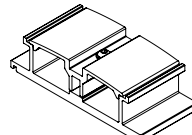
**M8 HEX NUT (22-0139)**  
x12



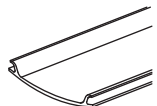
**LOW MOUNT WITH END CAPS**  
x4 (25-0310 - 2 pack)  
Each Low Mount contains two end caps



**END SUPPORT ASSEMBLY**  
x4



**INTERCONNECTING BLOCK (25-0368)**  
x3 for TFT31212, TFT31512 & TFT31812  
x4 for TFT 1512 & TFT32014



**UNDER-COVER STRIP (32-0050)**  
x2

**NOTE:** Fasteners supplied with Titan Tray are required for this fitment.

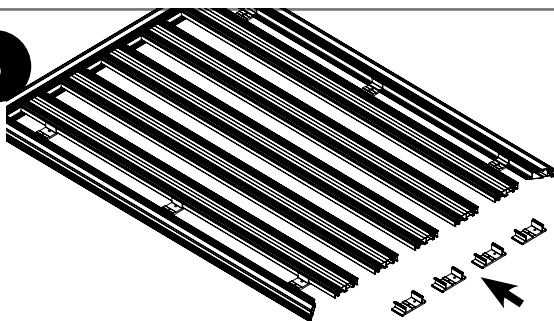
1

Read instructions thoroughly before commencing installation.

Refer to Titan Tray instructions for tray assembly.

Skip to Step 5 on the following page if you have already inserted the interconnecting blocks.

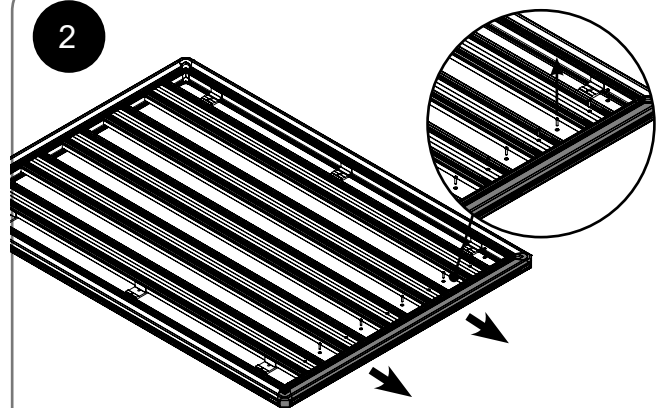
3



Disassemble the interconnecting block and slide the bottom block between the planks. Position blocks in the centre of the tray. Secure top block and tighten securely.

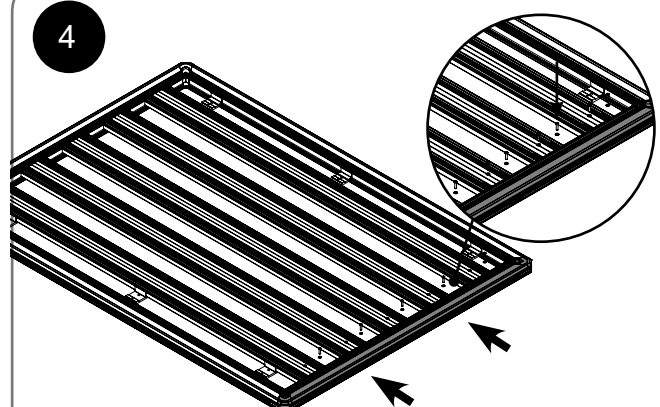
For TFT31212, TFT31512, TFT31812 - 3 Blocks  
For TFT31514, TFT32014 - 4 Blocks

2



Remove fasteners and remove the end plank.

4

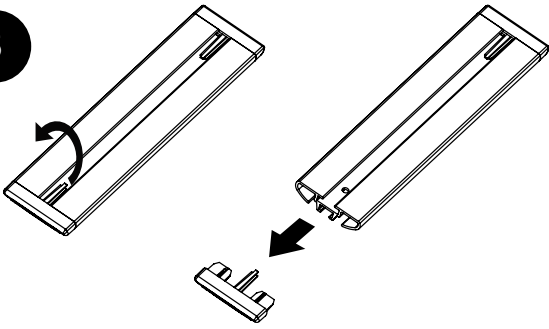


Re-install plank and tighten fasteners securely.

# LOW MOUNT SOLID RAIL FITTING INSTRUCTIONS CONTINUED

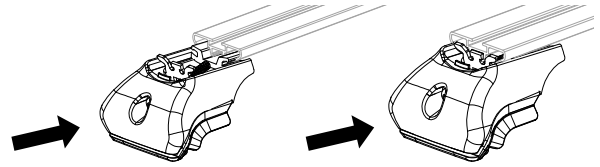
**ROLA**  
JUST ADD ADVENTURE

5



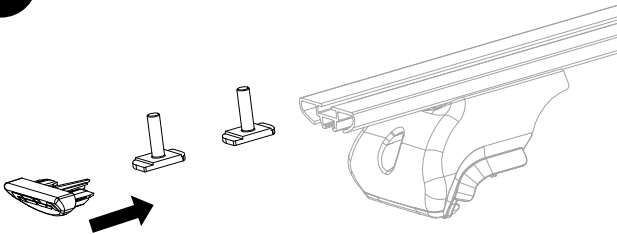
Unclip and remove one end cap from each of the Low Mounts.

6



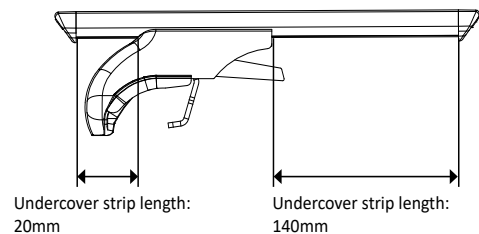
Install the end supports by sliding them into the Low Mounts.

7



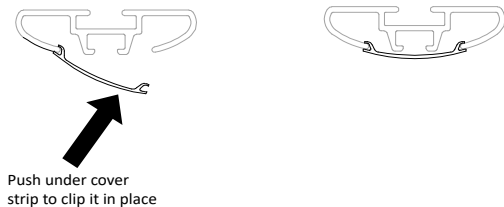
Insert M8 Drop-&-Turn bolts and the end cap

8



Position the end support on the Low Mount 140mm from the edge of the aluminium extrusion as shown.  
Cut the under-cover strips to the required lengths as shown.

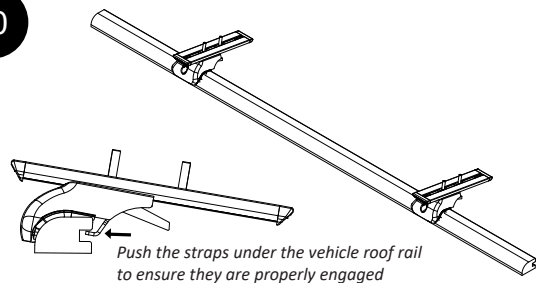
9



Push under cover strip to clip it in place

Install the Under Cover Strips

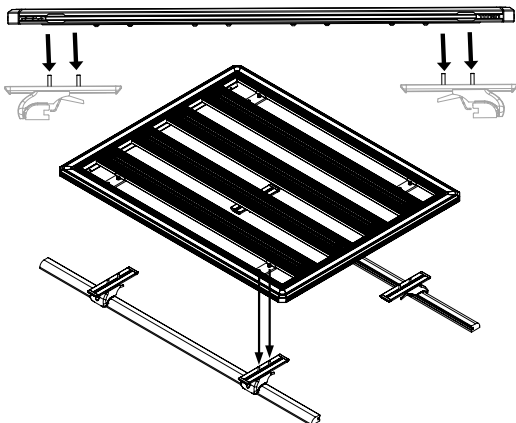
10



Push the straps under the vehicle roof rail to ensure they are properly engaged

Position all 4 end supports on the vehicle roof rails.

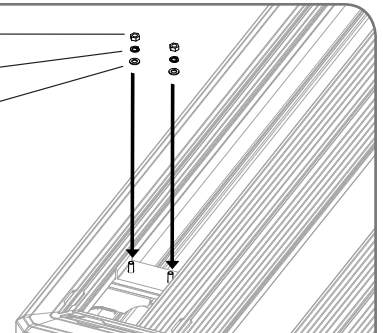
11



Lower the Titan tray on to the end supports while inserting M8 drop-and-turn bolts in to the holes on the mounting blocks.

12

M8 Hex Nut  
M8 Spring Washer  
M8 Flat Washer

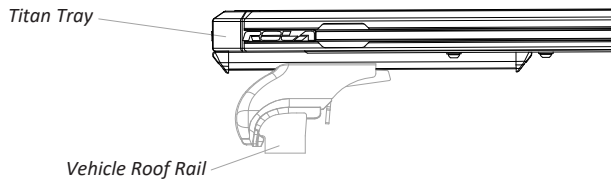


Thread fasteners on drop-&-turn bolts for all locations.  
**Tip:** Leave loose to allow adjustment in next steps.

## LOW MOUNT SOLID RAIL FITTING INSTRUCTIONS CONTINUED

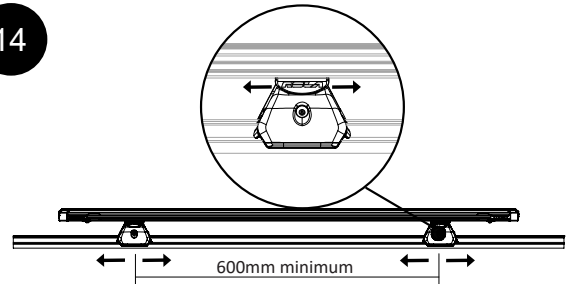
**ROLA**  
JUST ADD ADVENTURE

13



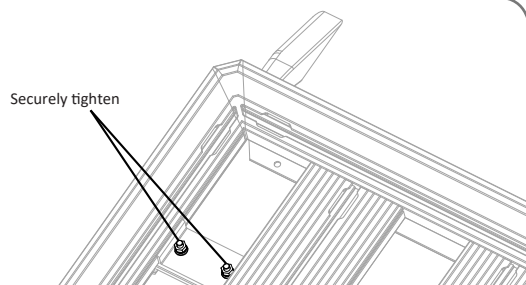
Line the Low Mount up flush with the edge of the tray.

14



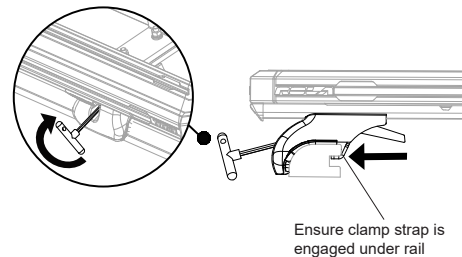
Adjust Low Mounts into the desired position along the vehicle roof rails. Ensure assembly is positioned to not interfere with vehicle sun roof and other protrusions.

15



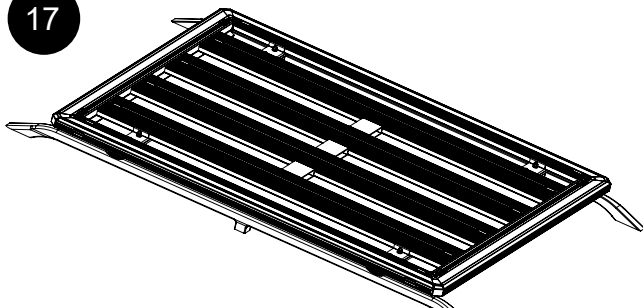
Tighten the fasteners on the top of the tray to secure the Low Mounts in place.

16



Ensure the tray is in your desired location on the roof. Ensure the tray will not interfere with a sun roof or other protrusions. **Securely tighten the bolts with the security key to clamp the rails.**

17



Your Low Mounted Tray is now complete.

### USAGE INSTRUCTIONS

It is essential for the proper assembly, operation and use of the roof-rack that the instructions and safety precautions supplied are strictly observed.

The maximum permissible load for your roof rack or tray is the lower of the maximum load capacity specified in your vehicle operation manual, or specified as applying to the roof-rack or tray. Do not exceed the maximum specified load capacity.

Maximum permissible load = weight of the roof-rack and tray + weight of accessories + weight of cargo load.

When fitting the roof-rack and transporting a load, ensure the vehicle's functions are not impaired (e.g. sunroof, aerials, windscreen wipers, mirrors).

Hatch and wagon vehicles should be inspected for adequate clearance for full opening operation of the boot/tailgate.

Stop and check all screw connections, bolts and retaining straps after a short distance of travel. Repeat these checks at regular intervals.

### WARNINGS

Remember that the fitting of a roof-rack and the transport of a load increases the overall height of the carrying vehicle.

Where the roof-rack is to be used in off-road conditions, a safety weight reduction of 1.5 should be observed from the total carrying capacity (e.g. 60kg becomes 40kg).

Cequent will not be liable to the purchaser or any other person for any consequential, direct or indirect loss, damage or costs incurred or suffered by the purchaser or any other person including but not limited to damage to persons or property, loss of turnover, loss of profits, loss of business or goodwill arising from or in relation to the assembly or use of the roof-rack, or the non-observance of the fitting and care instructions.