

VBR

VERTICAL BIKE RACK

by **ROLA**



Read entire fitting instruction prior to installation

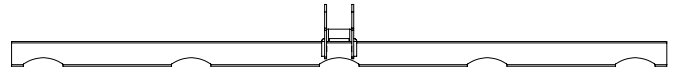
VBR CONTENTS

Check your kit contains all the parts listed for your bike rack

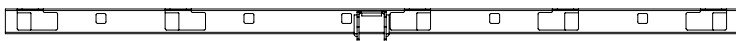
Revision E



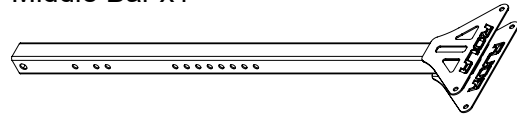
Top Bar x1



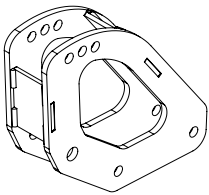
Middle Bar x1



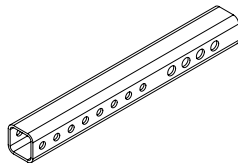
Lower Bar x1



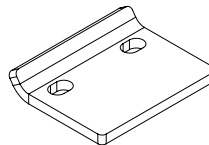
Vertical Bar x1



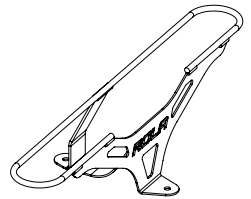
Base x1



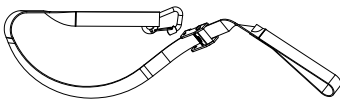
Hitch Tube x1



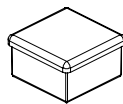
Anti Rattle Plate x1



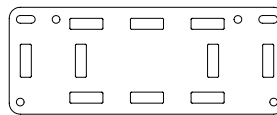
Cradle
VBR5 x5, VBR3 x3



Wheel Straps
VBR5 x5, VBR3 x3



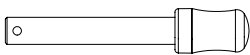
End Cap x6



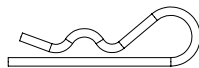
Number Plate Holder x1



Velcro Strap x2



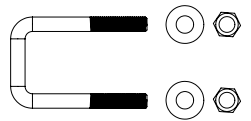
Pull Pin x1



R-Clip x1



Spacer Tube
VBR5 x10, VBR3 x6



U Bolt Kit x1



M16 Bolt x1



M12 Bolt x7



M10 Hex Key Bolt
VBR5 x12, VBR3 x8



M6 x 12 Hex Key Bolt x2



M6 x 60 Hex Key Bolt
VBR5 x5, VBR3 x3



M16 Washer x2



M12 Washer x14



M10 Washer
VBR5 x24, VBR3 x16



M6 Washer
VBR5 x12, VBR3 x8



M16 Nyloc x1



M12 Nyloc x7



M10 Nyloc
VBR5 x12, VBR3 x8



M6 Nyloc
VBR5 x7, VBR3 x5

FITTING INSTRUCTIONS

ROLA VBR VEHICLE FIT

Maximum combined bike weight:

VBR3: 81 kg

VBR5: 135 kg

Maximum per bike weight: 27 kg

Towbar capacity and maximum combined bike weight recommendation table

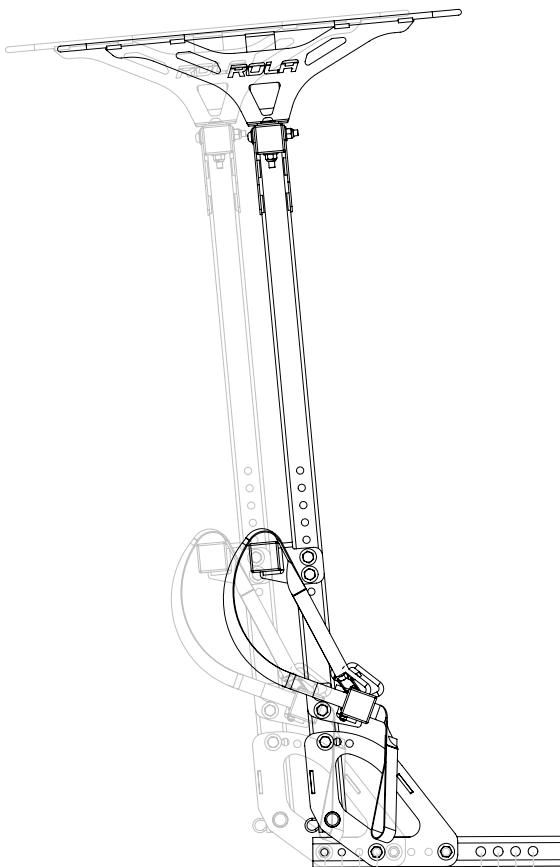
Towbar Towing Capacity (kg)	1000	1200	1400	1600	1800	2000	2200	2400	2600	2800	3000+
VBR3		43	55	67	79	81	81	81	81	81	81
VBR5				59	71	83	95	107	119	131	135

1

ADJUSTABLE TO SUIT YOUR VEHICLE

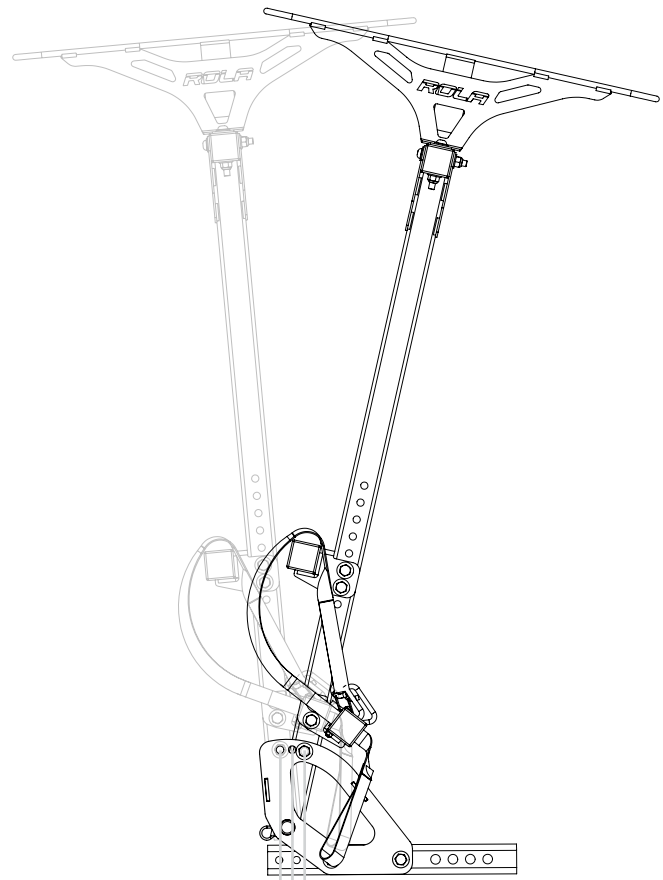
See the last page of these fitting instructions for key vertical bike rack dimensions

1. Review the options for VBR assembly below and keep these in mind as you assemble.
2. Configure the VBR so it is as close to your vehicle as possible without contacting. Ensure enough space is allowed for flex and movement in the system.



1234

Locate rack base as close to vehicle as possible using the base mounting bolt locations (4 options)



123

1234

Locate rack as far in the towbar and close to the vehicle as possible using the hitch pin points (4 options)

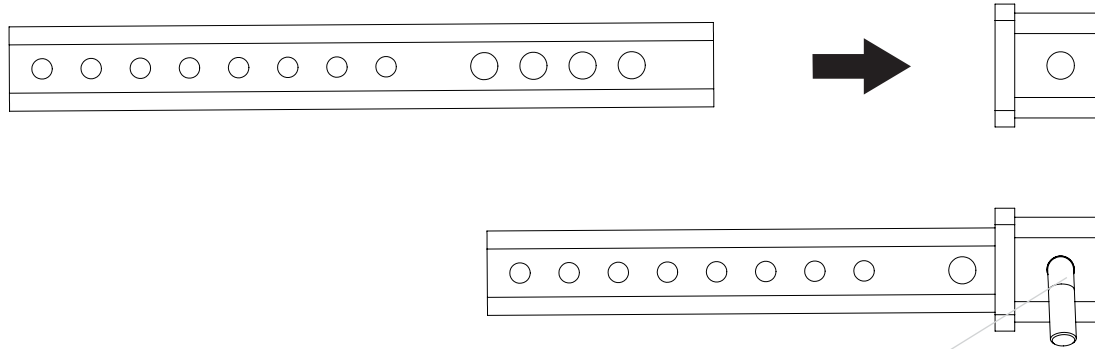
Angle rack as close to the vehicle as possible using the angle locating positions (3 options)

FITTING INSTRUCTIONS

ASSEMBLE ROLA VBR

2 INSERT INTO TOWBAR

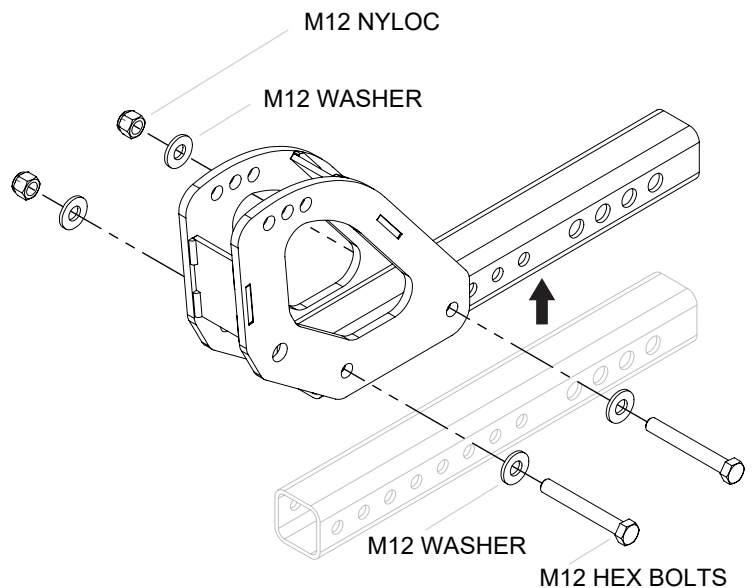
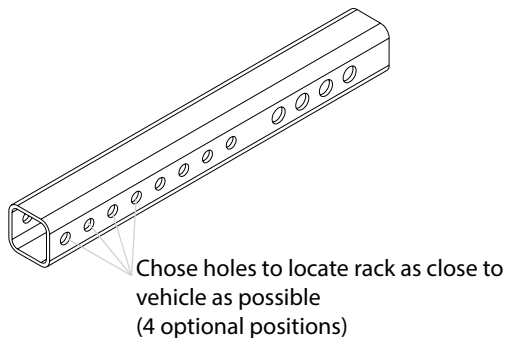
1. Insert the VBR hitch tube in to your vehicles towbar with your existing pull pin and R clip and continue assembling the bike rack.



Insert hitch pin and R clip to keep in place

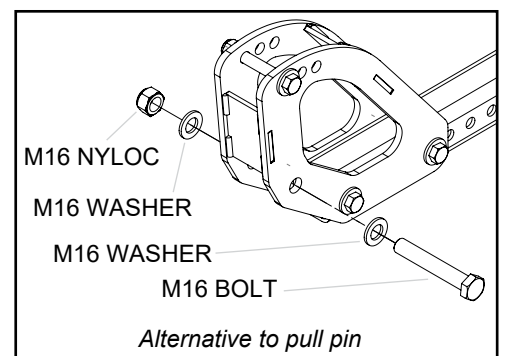
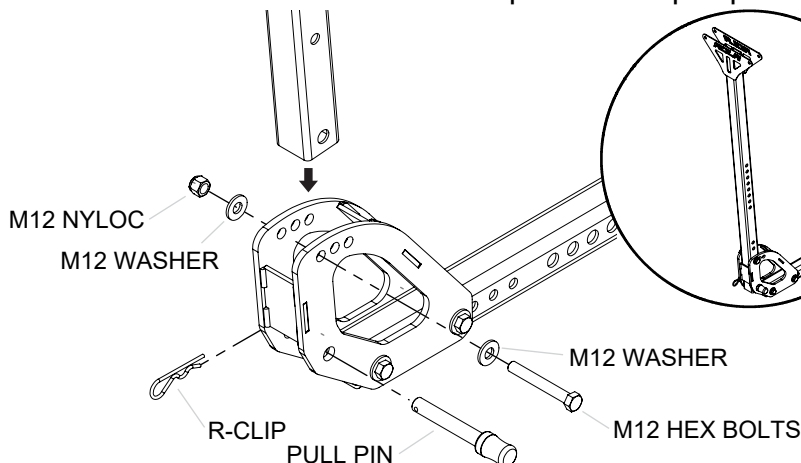
3 ASSEMBLE BASE

1. Select base mounting bolt locations to suit your vehicle - see step 1
2. Insert hitch tube between base plates, gently tap in with mallet if needed and secure with fasteners.



4 INSERT VERTICAL BACK BONE

1. Insert the vertical back bone in to the base and secure with fasteners and pull pin with R clip
2. The M16 bolt can be used in place of the pull pin to reduce rattle

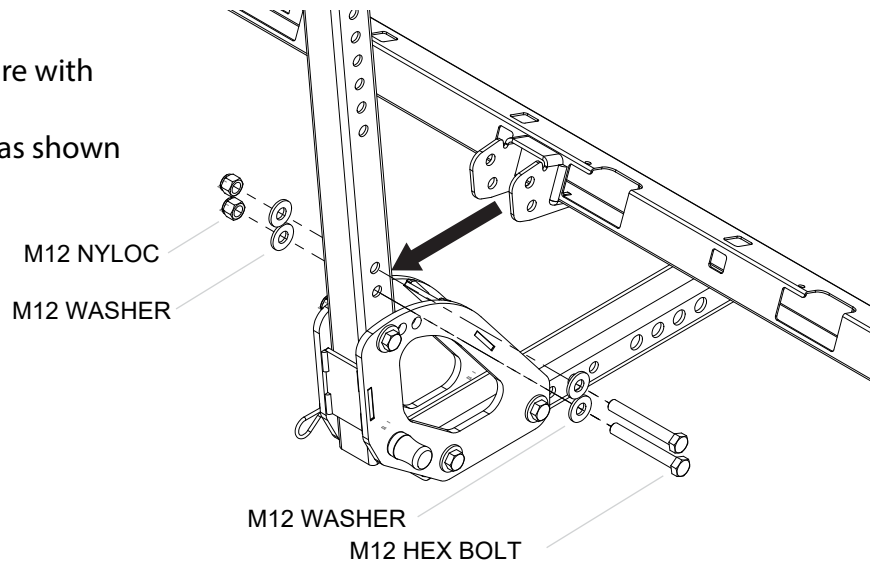


FITTING INSTRUCTIONS

ASSEMBLE ROLA VBR

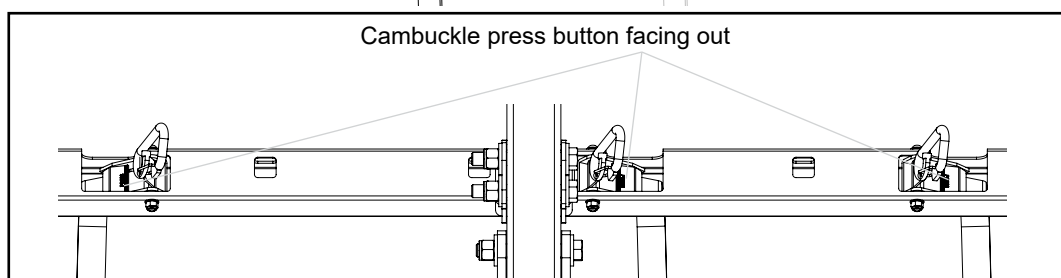
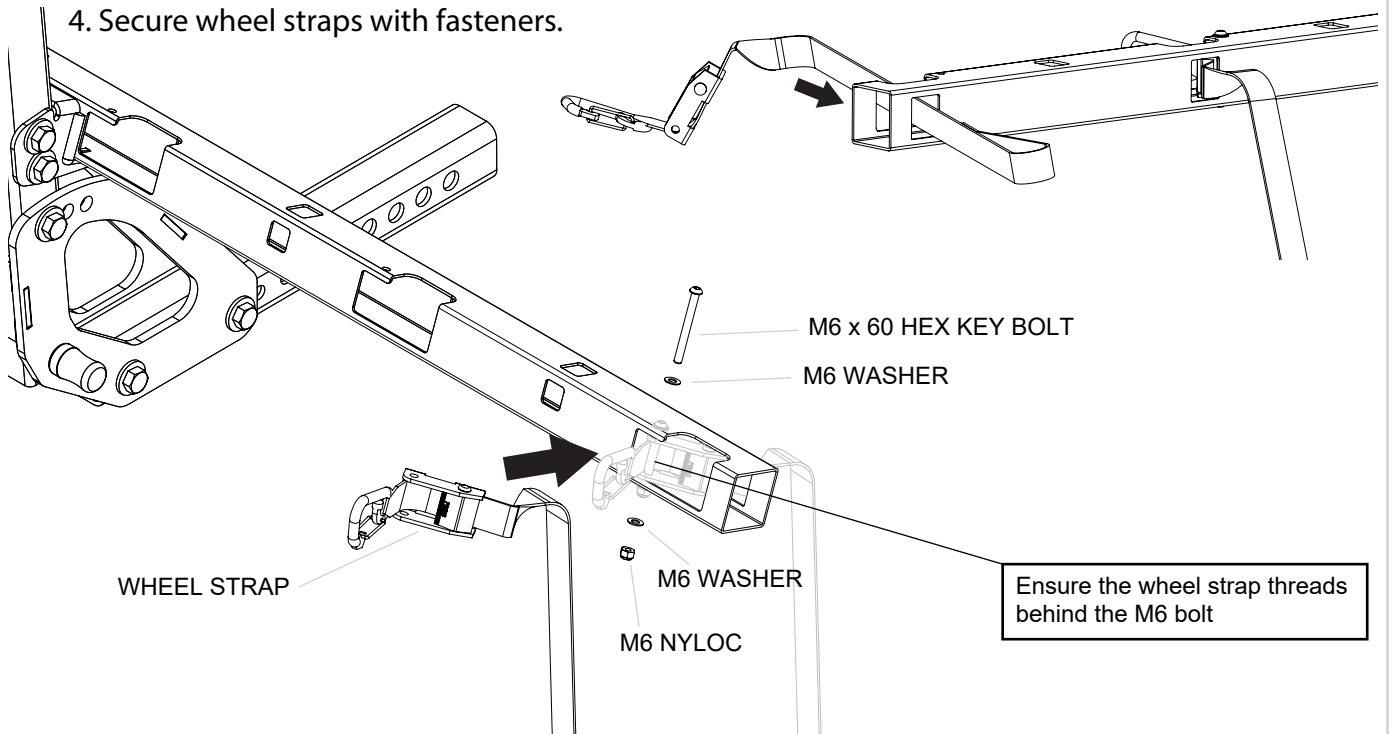
5 ATTACH LOWER BAR

1. Attach the lower bar and secure with fasteners
2. Ensure it is oriented correctly as shown



6 INSERT WHEEL STRAPS

1. Insert wheel straps through the cut outs in the lower bar
2. Orient the release button on the cambuckle to face out of the slot. Note that the orientation will change based on which side of the rack they are installed.
3. Thread the wheel strap behind the M6 bolt.
4. Secure wheel straps with fasteners.

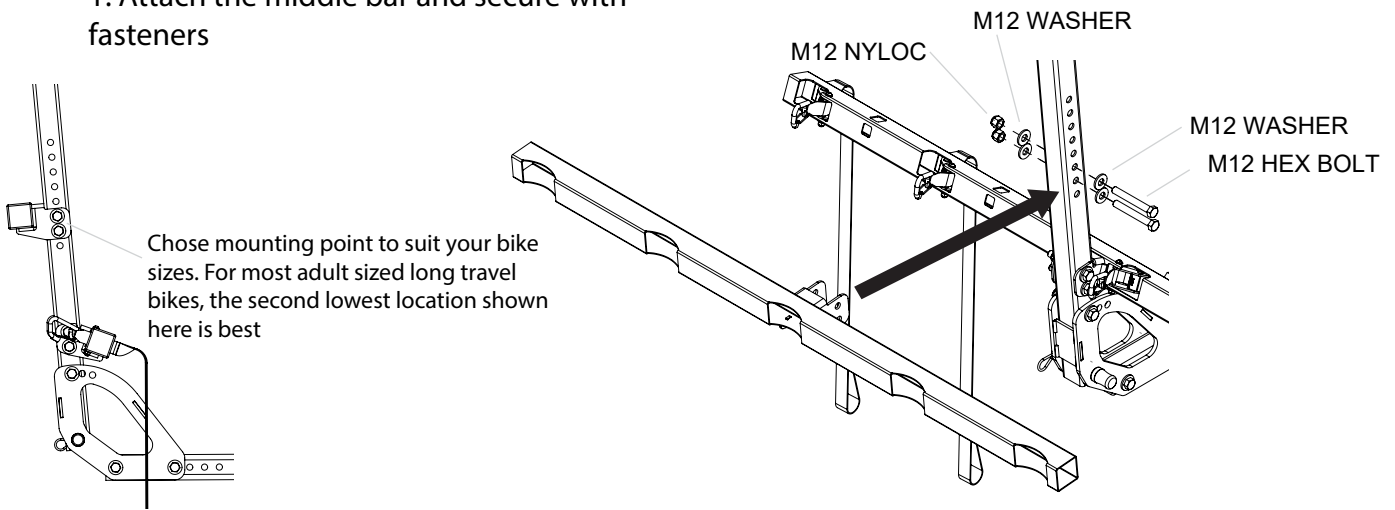


FITTING INSTRUCTIONS

ASSEMBLE ROLA VBR

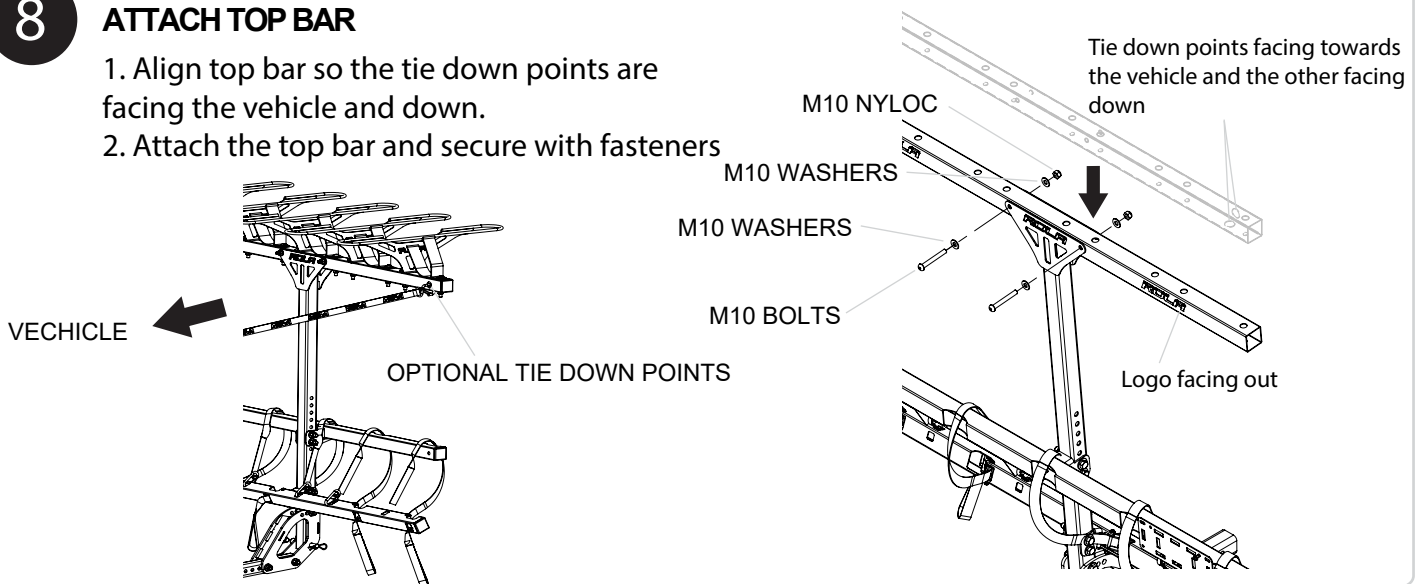
7 ATTACH MIDDLE BAR

1. Attach the middle bar and secure with fasteners



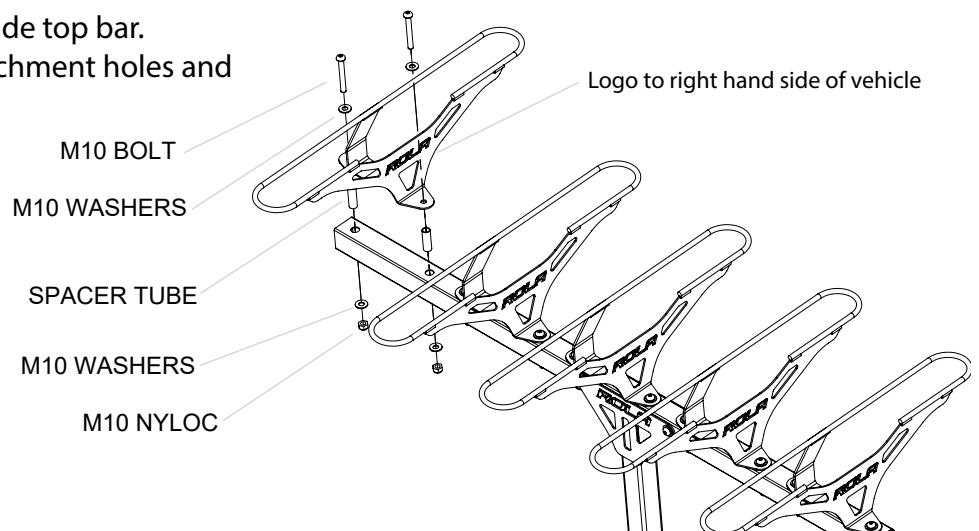
8 ATTACH TOP BAR

1. Align top bar so the tie down points are facing the vehicle and down.
2. Attach the top bar and secure with fasteners



9 ATTACH WHEEL CRADLES

1. Insert spacer tubes inside top bar.
2. Align cradles over attachment holes and secure with fasteners.

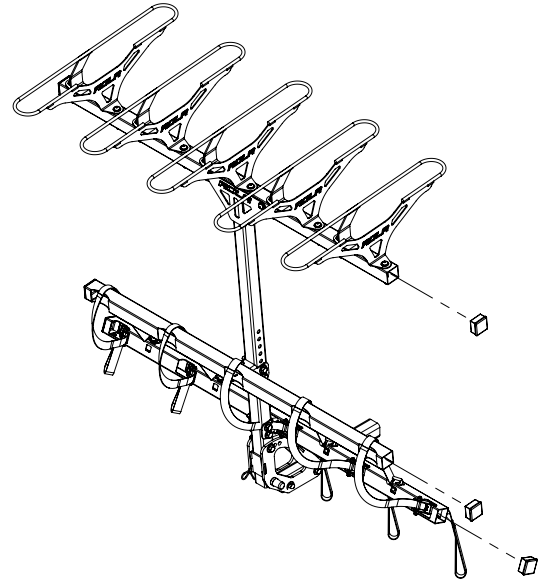


FITTING INSTRUCTIONS

ASSEMBLE ROLA VBR

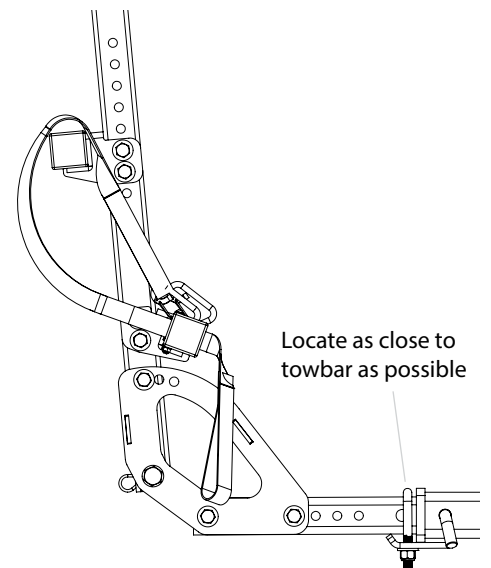
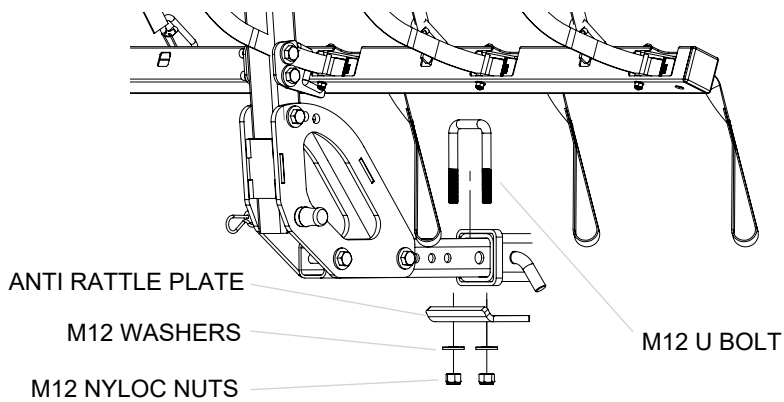
10 INSERT END CAPS

1. Insert end caps to both ends of the three horizontal bars

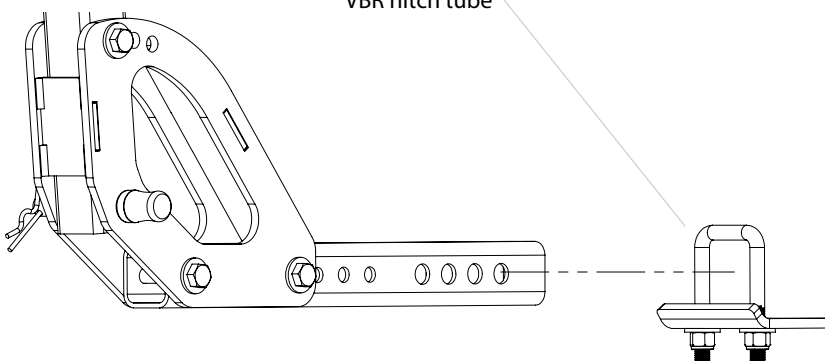


11 ATTACH ANTI RATTLE PLATE

1. Attach the anti rattle plate and secure with U bolt and nyloc nuts



The Anti rattle clamp can also be attached by sliding over the end of the VBR hitch tube



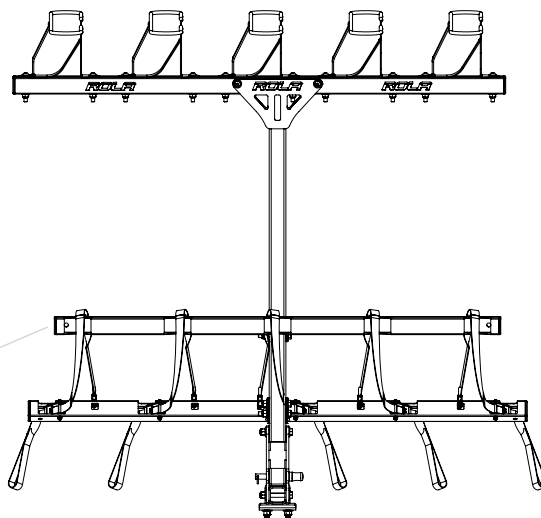
FITTING INSTRUCTIONS

USING THE ROLA VBR

12 UNLOADED RACK

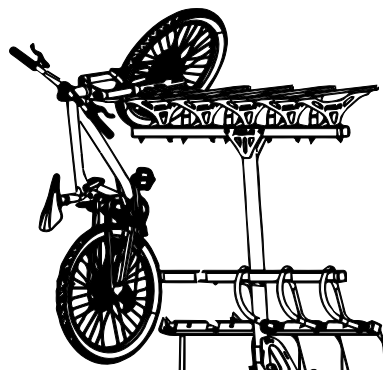
1. When not in use, loop tie down over mid bar and pull for tension

Loop tie downs over mid bar when not in use



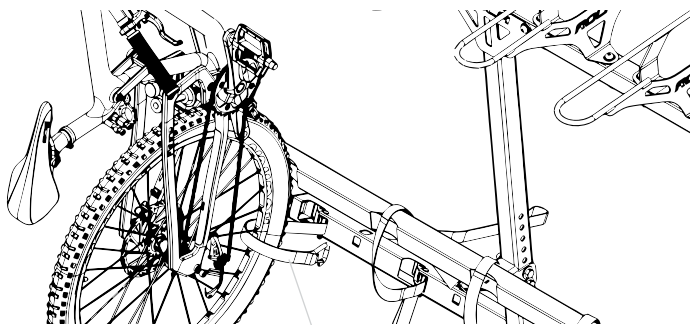
13 LOADING BIKES

1. Lift bike in to top cradle
2. Align rear wheel with tyre cut outs in middle bar

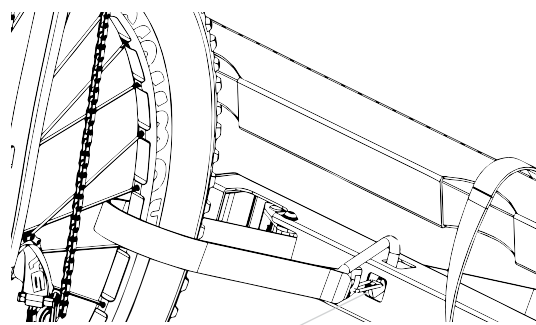


14 LOADING BIKES

1. Thread wheel retainer strap through rear bike wheel and latch on to lower bar.
Do not loop over the middle bar.



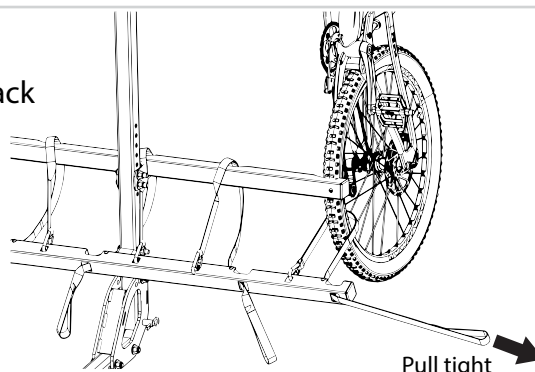
Thread wheel retainer through back wheel of bike



Latch wheel retainer in lower bar

15 LOADING BIKES

1. Pull wheel retainer strap tight to secure bike to rack
2. Check that the bike is properly secured



Pull tight

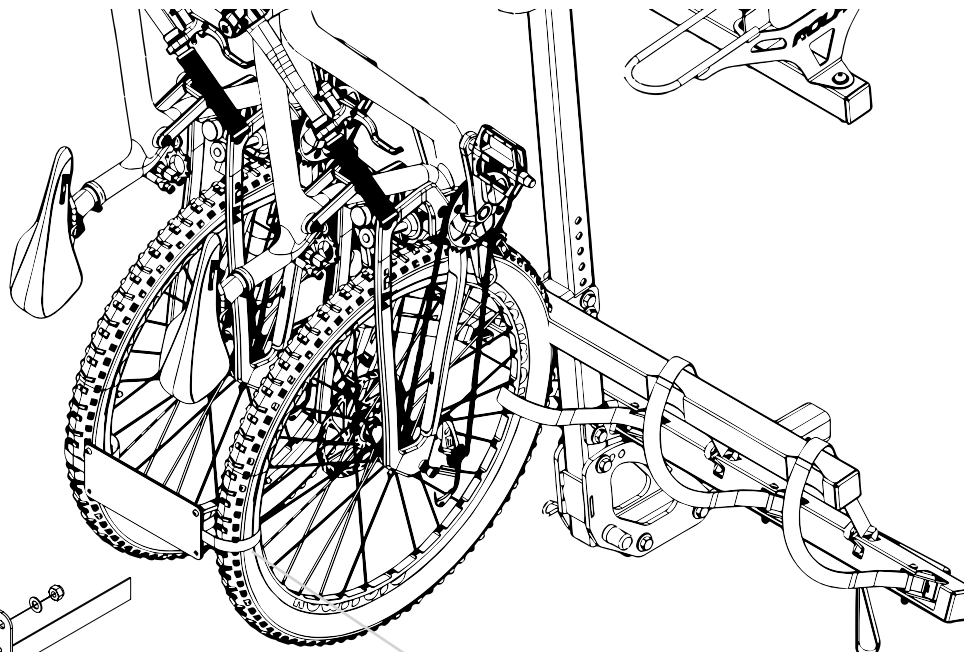
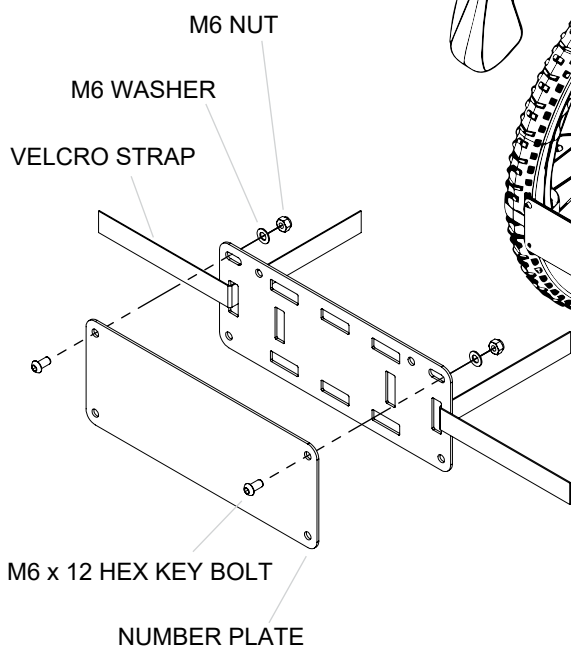
FITTING INSTRUCTIONS

USING THE ROLA VBR

16 ATTACH NUMBER PLATE

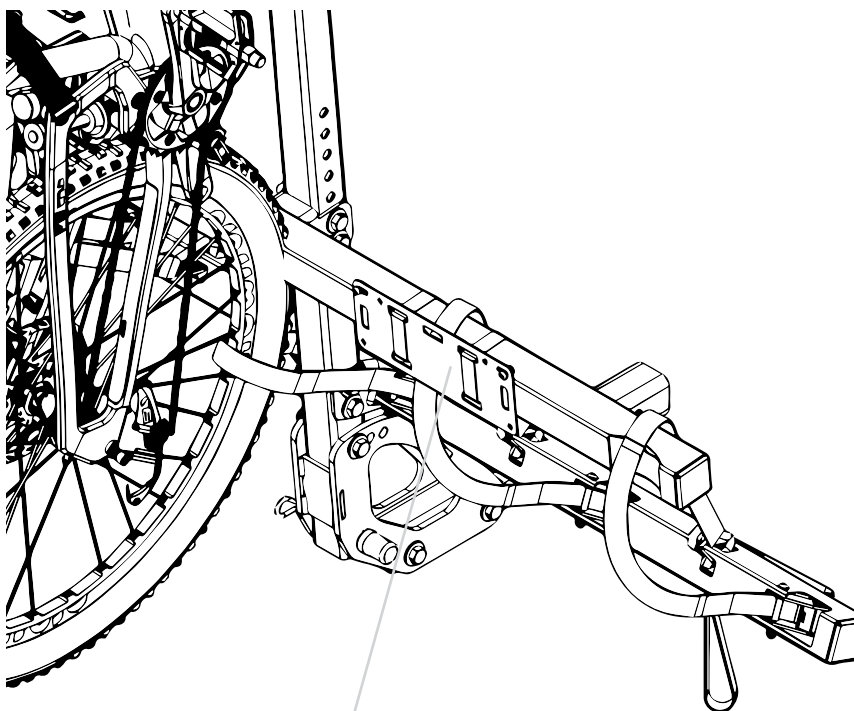
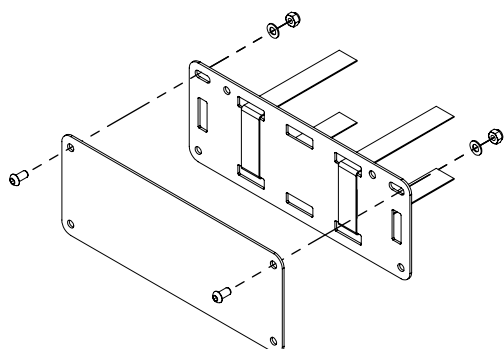
There are multiple ways to attach your number plate using the supplied number plate holder. See below for 2 examples.

EXAMPLE 1



Wrap velcro around two bike wheels as shown to secure number plate holder in place

EXAMPLE 2



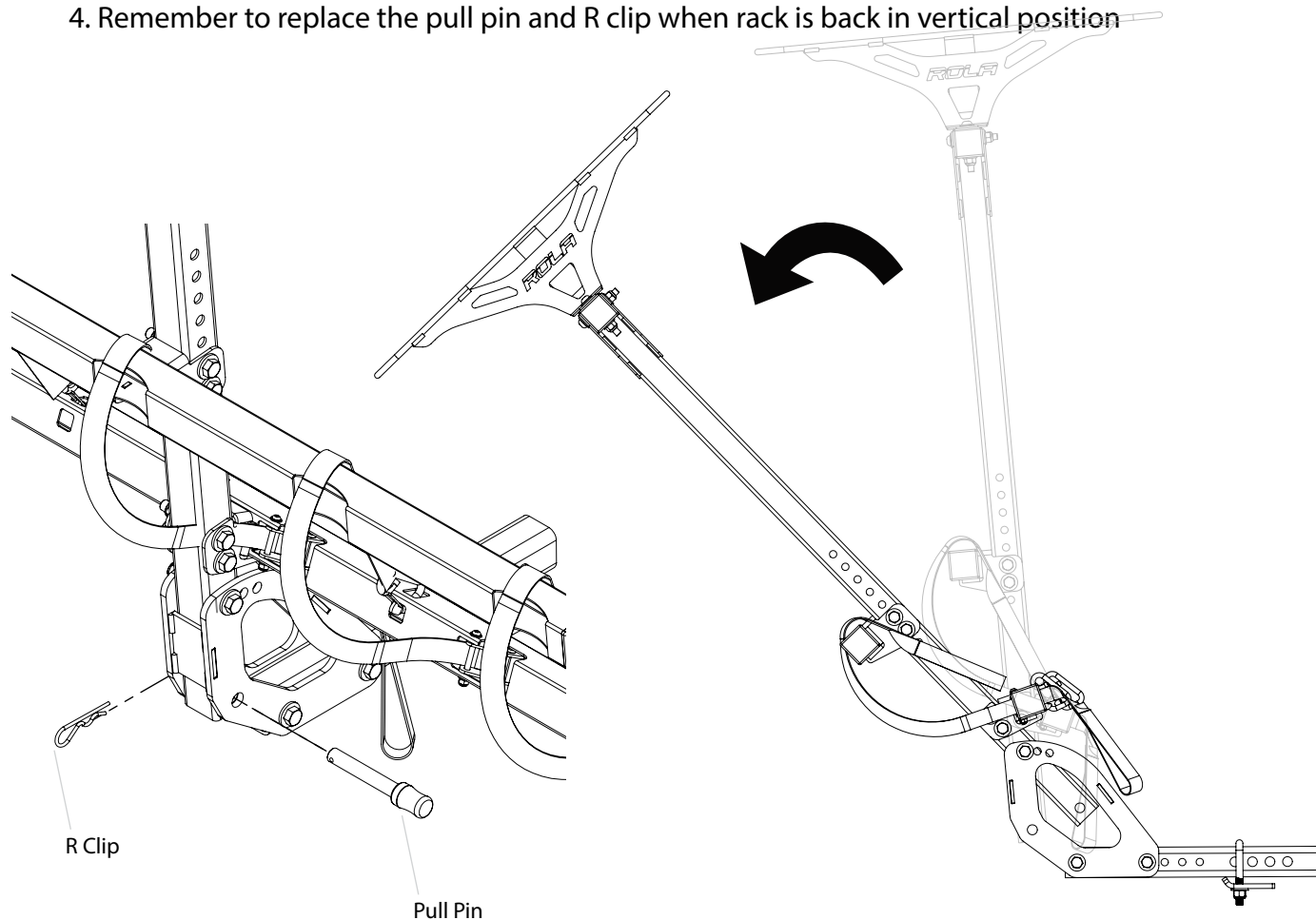
Wrap velcro around the middle bar with the wheel strap in between so the number plate holder can not slide off sideways

FITTING INSTRUCTIONS

USING THE ROLA VBR

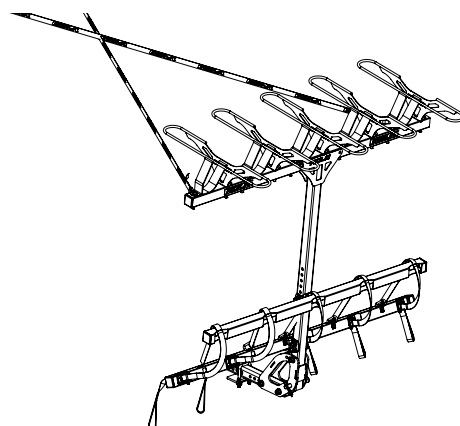
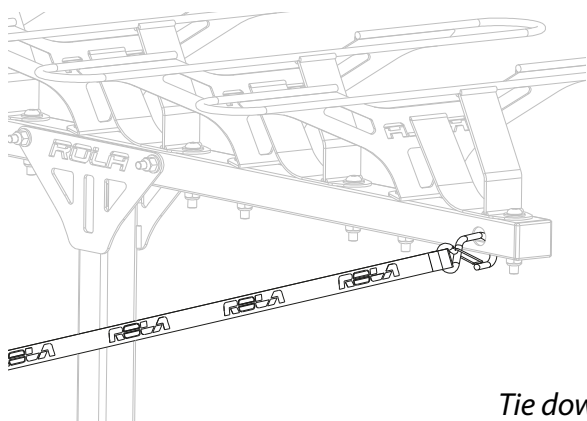
17 TILT FOR BOOT ACCESS

1. Dismount bikes from rack
2. Remove the pull pin from the rack
3. Tilt rack to access vehicle boot
4. Remember to replace the pull pin and R clip when rack is back in vertical position



18 TIE BACK VBR TO VEHICLE

1. Tie the rack back to the vehicle on unsealed roads or for extra stability during road use.
2. Hook two tie downs in tie down points on VBR and attach other ends to vehicle or roof racks and tension.



Tie downs sold separately

CARE FOR YOUR VERTICAL BIKE RACK

WARNINGS AND INSTRUCTIONS



IMPORTANT

PLEASE READ THOROUGHLY BEFORE USE.

Please ensure the Vertical Bike Rack is fitted in accordance with the fitting instructions.

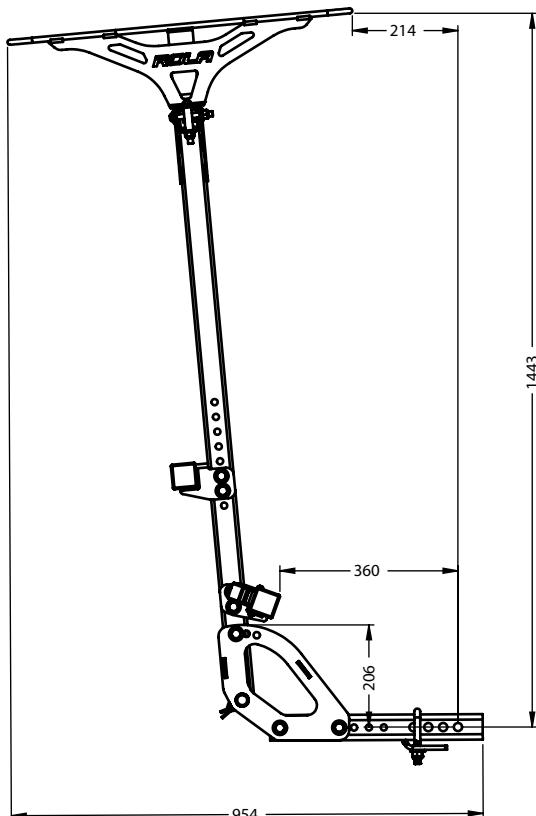
- Routinely and regularly check the proper functioning of the Vertical Bike Rack and tighten all screws, bolts, nuts, connections and wheel straps.
- Immediately replace any worn or damaged components.
- Store fitting instructions in the glove compartment of your vehicle
- Ensure bikes are evenly distributed on each side of rack
- Handling characteristics of the vehicle change when traveling with a load on towbar. Exercise extreme care when transporting your bikes.
- Tie the bike rack back to vehicle using the tie down points when driving on unsealed roads.
- Maximum bike weight: 27kg without exceeding the maximum combined weight below

Maximum combined bike weight:

VBR3: 81 kg

VBR5: 135 kg

VBR dimensions:



ROLA VERTICAL BIKE RACK

5 YEAR WARRANTY

Rola warrants that, subject to the exclusions and limitations below, the bike rack will be free from defects in materials and workmanship for a period of 5 years commencing on the date of sale by the authorised Rola stockist to the original purchaser of the entire Rola Vertical Bike Rack.

If a defect appears in the Rola VBR before the end of the warranty period and Rola finds the VBR to be defective in materials or workmanship, Rola will, in its sole discretion, either:

1. Repair the Rola VBR or the defective component of the Rola VBR free of charge, OR
2. Replace the Rola VBR or the defective component of the Rola VBR, OR
3. Refund the purchase price of the Rola VBR to the original purchaser. Rola reserves the right to change the design, specification or composition of the Rola VBR without notice and without liability.

Rola reserves the right to replace defective products or components with products or components of similar quality, grade and composition, where an identical product or component is not available. Goods presented for repair may be replaced by refurbished goods of the same type rather than being repaired. Refurbished parts may be used to repair the goods.

The 5 year warranty does not apply where:

1. The Rola VBR is not installed in compliance with the fitting instructions provided;
2. The Rola VBR is not used as intended or designed;
3. Any part of the Rola VBR is used with other products or components not intended to be used in conjunction with the Rola VBR;
4. The Rola VBR has been on-sold or assigned by the original purchaser;
5. The Rola VBR has been modified or repaired by someone other than Rola or an authorised Rola repairer;
6. Rola cannot establish any fault in the bike rack after testing;
7. The Rola VBR has been subject to abnormal conditions, including fire, water, humidity, pressure, stress or similar;
8. The defect in the Rola VBR has arisen due to the unlawful or unusual operation of the vehicle to which it is fitted;
10. The defect in the Rola VBR has arisen due to the purchasers failure to properly assemble, install, fit, maintain or use the Rola VBR in accordance with the specifications and instructions provided by Rola.

For safety and use instructions, please refer to any general or specific fitting instructions and warning and care instructions enclosed with the Rola VBR or on our website at www.rola.com.au.

This warranty does not extend to fair wear and tear. Warranty claims can be made by contacting Rola directly using the details below. A warranty claim must be accompanied by proof of purchase (such as receipt), details of the alleged defect and appropriate documentation (such as historical and maintenance records where appropriate). The customer must make the product available to Rola or its authorised repair agent for inspection and testing. If such inspection and testing finds no defect in the product, the customer must pay Rola usual costs of service work and testing. It is the purchasers responsibility to arrange and pay to return the product or component to the place of purchase. The purchaser may seek reimbursement from Rola for the cost of such activities, providing Rola notifies the purchaser in writing that a warranty claim is justified. Any such claims made must be in writing via post or email. The benefits of this warranty are in addition to any rights and remedies imposed by Australian State and Federal legislation that cannot be executed. Nothing in this warranty is to be interpreted as excluding, restricting or modifying any State or Federal legislations applicable to the supply of goods and services which can not be so excluded, under the Australian consumer law. You are entitled to a replacement or refund for a major failure and for compensation for any other reasonably foreseeable loss or damage. You are also entitled to have the goods repaired or replaced if the goods fail to be of acceptable quality and the failure does not amount to a major failure. Rola makes no express warranties or representations other than set out in this warranty.

The repair or replacement of Rola Vertical Bike Rack or part thereof, or a refund of the purchase price of the Rola Vertical Bike Rack, is the absolute limit of Rola's liability under this express warranty.



® Rola

49 Pacific Drive, Keysborough, VIC, 3173

AUS: 1800 812 017

NZ: 0800 698 227

www.rola.com.au