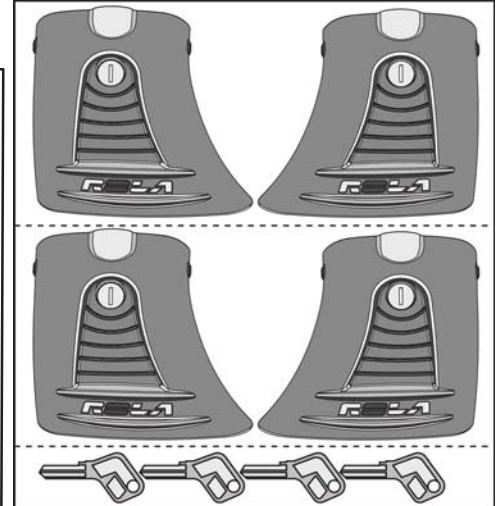
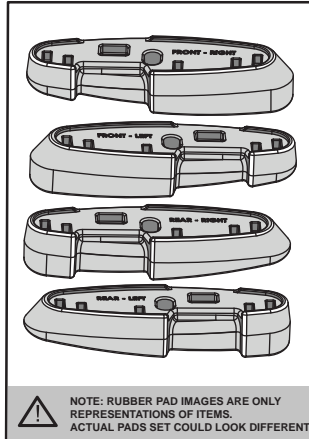
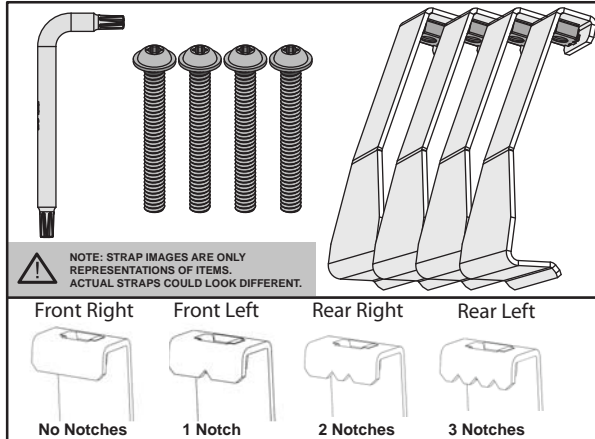
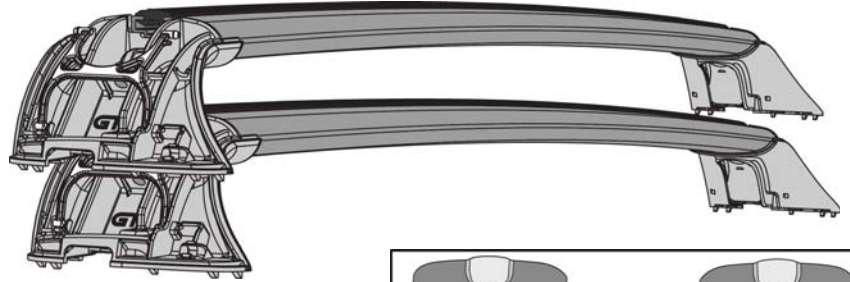


KIT COMPONENTS

PARTS LIST

- 2 x CROSSBAR ASSEMBLIES INCLUDING:
2 x CROSSBAR, 4 x END SUPPORTS
2 x BUFFER STRIP, 4 x HINGES
- 1 x KIT OF 4 RUBBER PADS
- 1 x KIT OF 4 COVERS & LOCKS
- 1 x KIT OF STRAPS AND HARDWARE



Fitting Strap inside End Support

Prior to Assembly, check that your Roof Rack Box contains all the parts as listed above. Ensure the vehicle roof is clean and dry.

Please note, that some illustrations depicted in these instructions are only representative and your items may look different. Read these Instructions carefully before commencing. You will need a cutting blade/knife to cut the buffer strip to the required length (Step 11).

You can use a protective cloth when installing your racks to protect the vehicle's roof from any dents and scratches.

⚠ Ensure straps correspond with mount positions on the vehicle before installing them into the End Supports. Use strap "notches" as shown above - to identify the correct strap corresponding to its mount location.

1. Feed Strap neck through cavity in End Support (Fig 1a). When Strap neck has been pushed through (1), rotate strap downwards (2) until mount holes in end support and cage nut inside the strap are aligned.
2. Use Assembly 'L' Key to feed bolt into strap cage-nut. Bolt Head should mate flush with its mount face. (Fig 1b)
3. When threading the bolt through the cage-nut, ensure to allow a gap of approx. 24mm from the top of the strap neck to the bolt mount face. (Fig 1c.) This will aid with the fitment as described in Fig 2c.

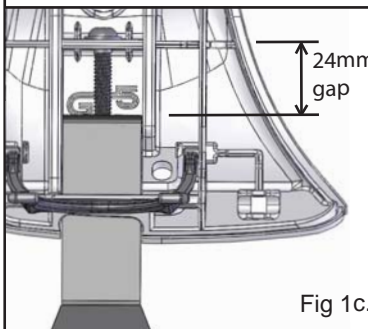
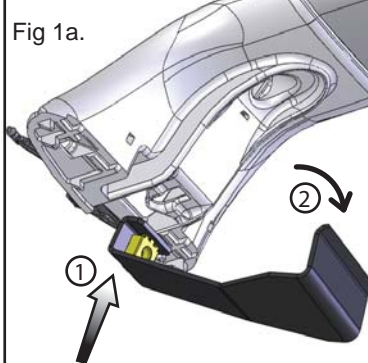


Fig 1b.

M6 X 50mm STAR-HEAD SCREW

TIP: Pull buffer strip back ~40mm inside the cross-bar to allow good access for Assembly "L" Key to fit into bolt head. This will assist when fastening items together.

TOP STRAP

Ensure bolt is constrained at these points. (top & bottom)

Fig 1c.

Placement of End Support onto Vehicle Roof

4. The Pads all have a vehicle roof position identification text on the top inside surface, NOTE: As seen from the driver's position. Front Right, Front Left, Rear Right, Rear Left.

⚠ Ensure Mount Pads correspond with mount positions on the vehicle. Your Pad Kit may look different than illustration.

5. Using the vehicle's B Pillar as a guide, place the pads as specified in Fig 2a & 2b. The pads should be a total of 700mm apart.

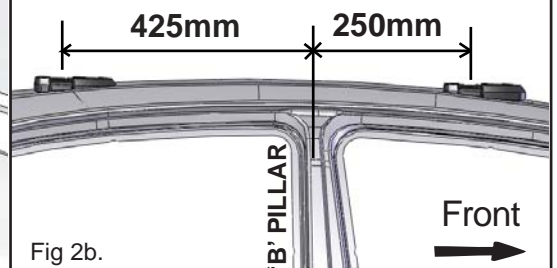
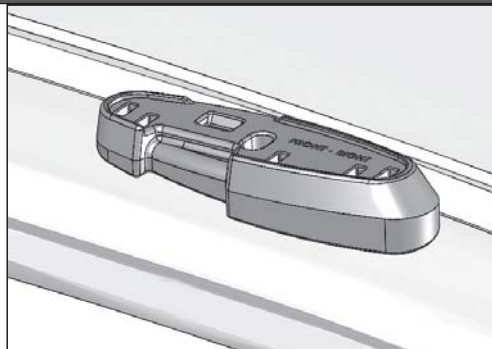



Fig 2b.

6. With one strap loosely mated around the door return, hold the other strap in your fingers whilst flexing it outwards of the roof body. (Refer to Step ① in Fig 2c.) Next, proceed to pull the strap down over the roof body and into its designated place around the door return. (Refer to Step ② in Fig 2c.)

 Ensure the protective rubber on the straps doesn't come away so as not to damage vehicle paint.

7. Using the Assembly 'L' Key supplied, tighten the bolt to pull strap upwards against the vehicle's door return channel. (Fig 2d)

IMPORTANT: Please refer to Fig 5 at bottom of page for Front and Rear Strap tightened state conditions.

TIP: Whilst tensioning the straps, alternate from left to right hand sides to ensure even tension on both sides.

Fig 2c.

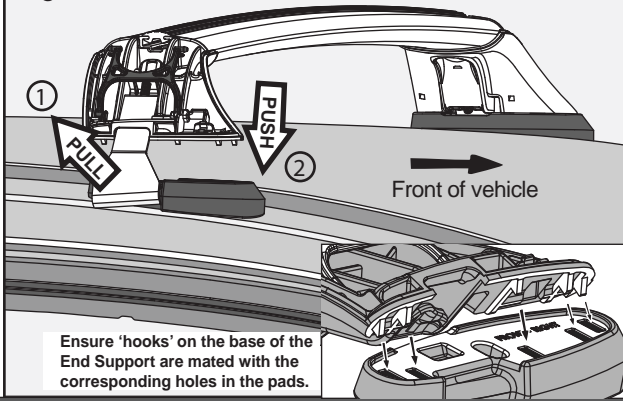
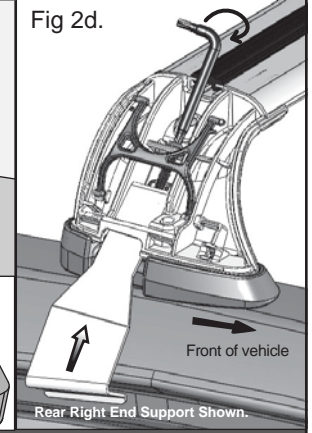


Fig 2d.



Mounting Cover onto End Support Chassis

8. Locate ends of hinge with cover mount holes. Flex hinge ends together and line up with cover mount holes. Push ends through holes until capped heads of hinge have entirely pushed through (Fig 3a).

9. Ensure hinge has been mounted correctly by pushing ends through until you hear an audible 'click' (Fig 3b).

10. Fully extend cover away from End-Support. Pivot cover on hinge whilst pushing top downwards until cover is held fixed (Fig 3c).

Fig 3a.

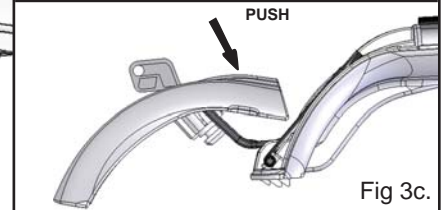
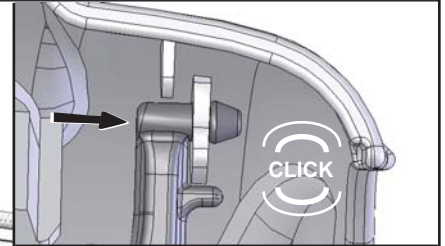
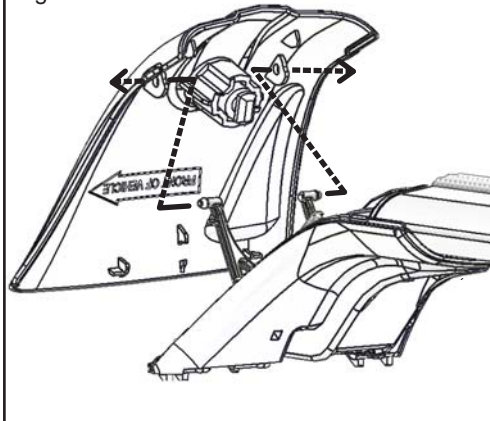


Fig 3c.

Locking End Supports & Mounting Accessories

11. You are now ready to mount your accessories, eg. Bike Carrier, Kayak carrier, etc. utilising the 'Global Channel' if applicable (Fig. 4a)

Be sure to cut the buffer strip to size to completely cover the Global channel once your accessory is fitted onto the crossbars.

12. Lock all 4 covers into place with key provided (Fig. 4b). Remove key and store in a safe place - eg. with car keys/glove box.

13. Ensure ALL End Support covers are pushed hard up against the End Support (Fig. 4c/4d). You should hear an audible 'click' when cover is fully engaged (Fig. 4d).

Fig 4a.

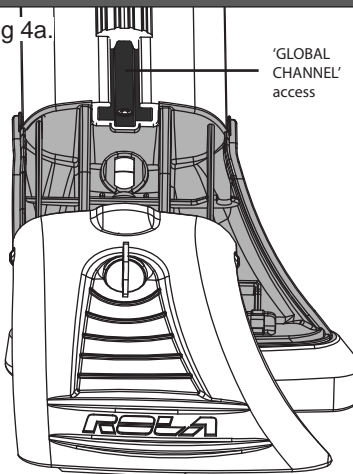
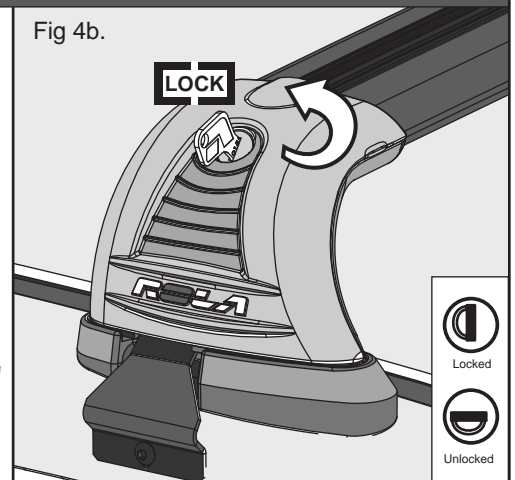


Fig 4b.



General Usage Information

• It is essential for the proper assembly, operation and use of the Roof Rack that the instructions and safety precautions supplied are strictly observed.

• The maximum permissible load for your Roof Bar is the lower of the maximum load capacity specified in your vehicle operation manual, or specified as applying to the Roof Rack. Do not exceed the maximum specified load capacity.
Maximum permissible load = weight of the Roof Rack + weight of accessories + weight of load (cargo).

• When fitting the Roof Rack and transporting a load, ensure the vehicle's functions are not impaired (eg. sunroof, aerials, windscreen wipers, mirrors). Rear doors on Hatch- and Wagon-type vehicles should be inspected for adequate clearance for full opening operation of the boot/tailgate.

Fig 4c.

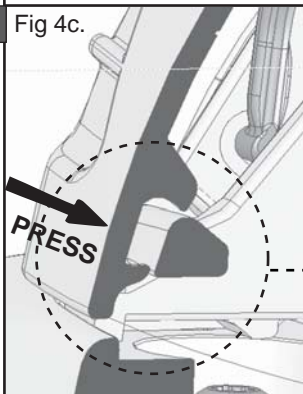


Fig 4d.

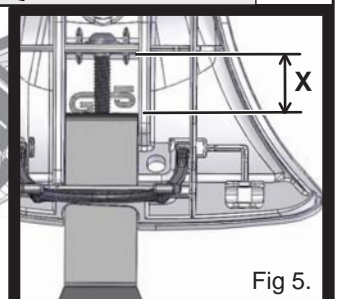
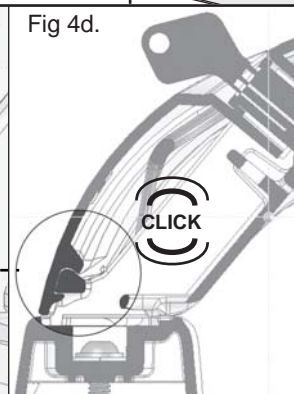


Fig 5.

[FRONT STRAP] DIST. (X) = 6mm
[(RIGHT & LEFT)]
[REAR STRAP] DIST. (X) = 6mm
[(RIGHT & LEFT)]

Warnings

• Remember that the fitting of a Roof Rack and the transport of a load increases the overall height of the carrying vehicle.

• Where the Roof Rack is to be used in off-road conditions, a safety weight reduction of 1.5 should be observed from the total carrying capacity (eg 60kg becomes 40kg).

• Cequent will not be liable to the purchaser or any other person for any consequential, incidental, direct or indirect loss, damage or costs incurred or suffered by the purchaser or any other person including but not limited to damage to persons or property, loss of turnover, loss of profits, loss of business or goodwill, arising from or in relation to the assembly and use of the Roof Rack, or the non-observance of the fitting and care instructions.