

ACCESSORY FITTING INSTRUCTIONS

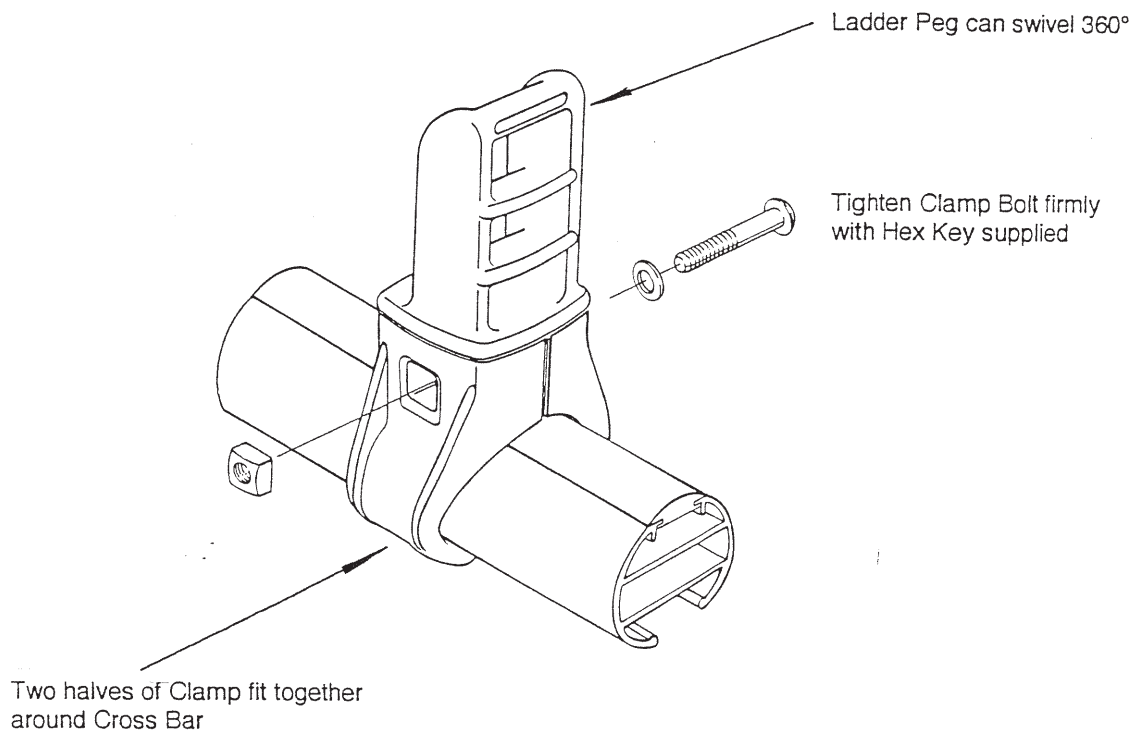
Contents: 1 pair of Swivel Pegs per kit

Fitting Instruction Sheet No.

099

ISSUE: D
15/03/04

MOULDED LADDER PEG Code No RCMLP



GENERAL USAGE INSTRUCTIONS:

- Roof load should not exceed maximum permissible load stated in vehicle manufacturers handbook.
- Refer to roof rack instruction sheet for maximum permissible load on roof rack.
- Any weight carried on the roof of the vehicle will adversely affect its handling, particularly in cornering or in a crosswind and therefore the vehicle should be driven with increased discretion.
- Regularly check the tightness of the securing clamps and the security of the load.
- Loads should be evenly distributed and secured.
- Be aware of the statutory requirements regarding maximum permissible projections from vehicles.
- Long loads such as ladders should always be additionally secured by tying down to the front and rear bumper bars or other suitable anchorage points of the vehicle.
- A range of accessories for carrying all types of special loads is available, otherwise only use **non-stretch tie-down straps**. Call or visit our showroom for information.