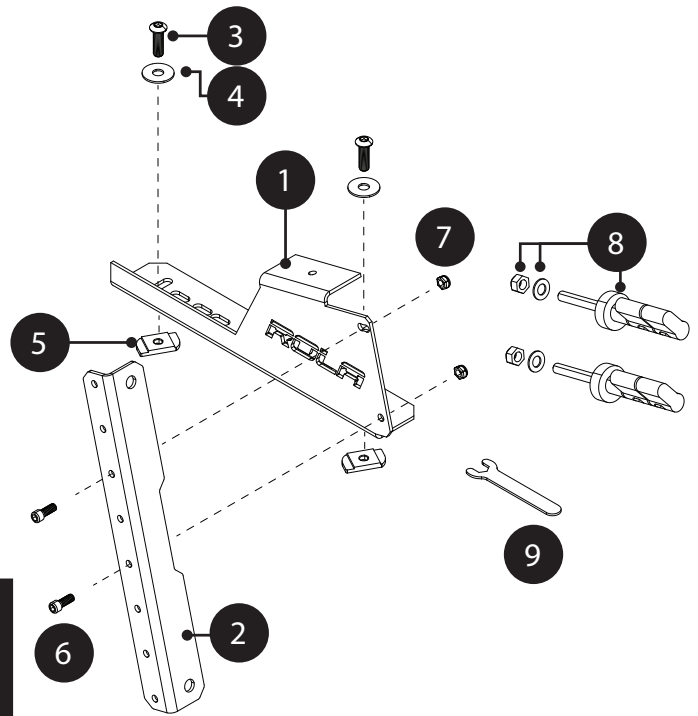


ROLA®

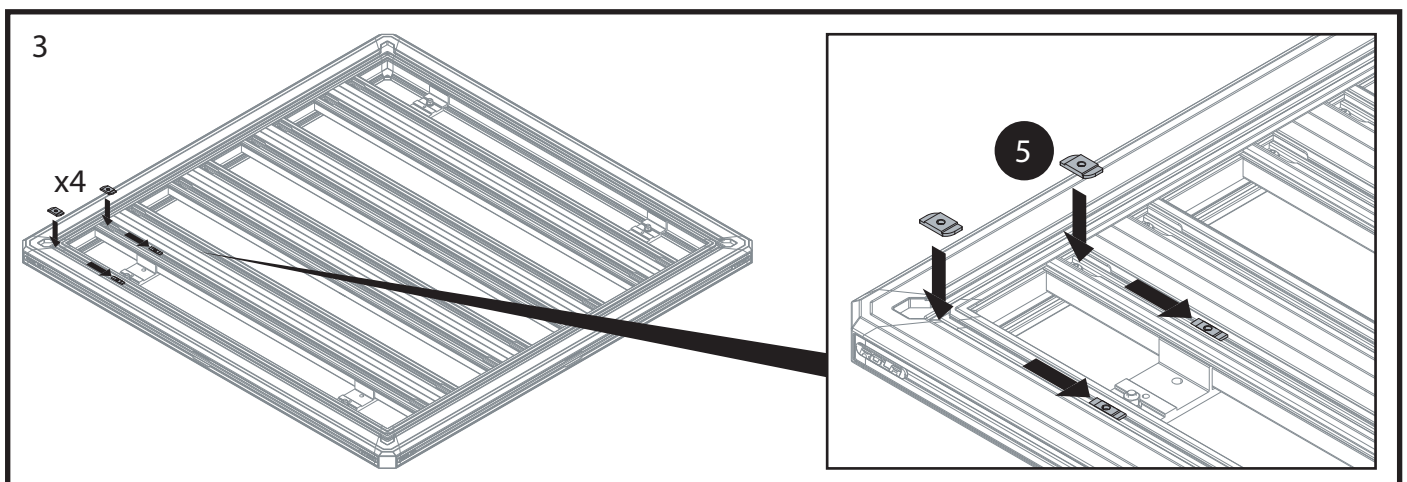
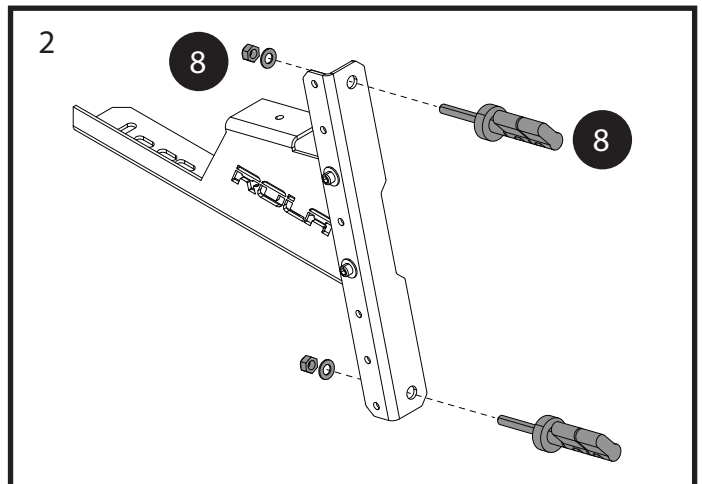
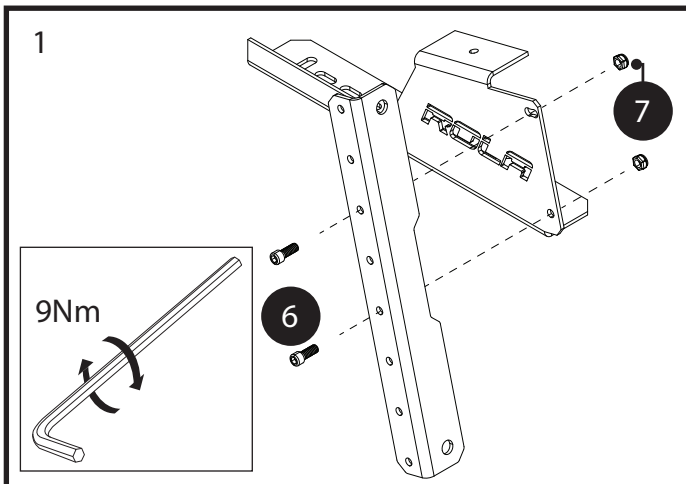
R-STM-01 RECOVERY TRACK HOLDER

PN	DESCRIPTION	QTY
1	R-STM-01 BODY	PAIR
2	R-STM-01 ARM	PAIR
3	M8X16MM BTN HEAD SCREWS	4
4	M8 FLAT WASHER	4
5	M8 CHANNEL NUT	4
6	M6 CAP SCREW	4
7	M6 NYLOC	4
8	RECOVERY TRACK PINS	4
9	10MM SPANNER	1



Tools included:
10mm spanner
5mm allen tool

Optional tools:
Torque wrench
Tape measure



JUST ADD ADVENTURE

ROLA