

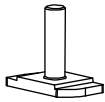
ROLA

LOW MOUNT

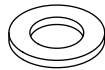
VW Amarok

LRS3035-FI
Revision A, June 2023

PACK CONTENTS & FITTING INSTRUCTIONS



M8 DROP-&-TURN BOLT (22-0924)
x4



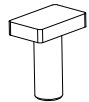
M8 FLAT WASHER (22-0195)
x12



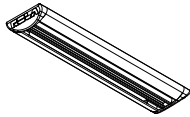
M8 SPRING WASHER (22-0162)
x12



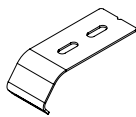
M8 HEX NUT (22-0139)
x12



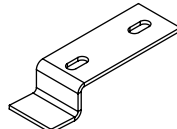
M8 T BOLT (22-0961)
x8



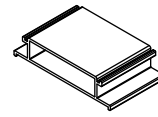
LOW MOUNT WITH END CAPS (25-0310)
x2 (25-0310 - 2 pack)
Each Low Mount contains two end caps



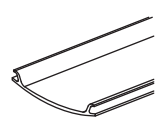
TOP STRAP
x4



LOWER STRAP
x4



INTERCONNECTING BLOCK (25-0312)
x3 for TFT1212, TFT1512 & TFT1812
x4 for TFT 2014



UNDER-COVER STRIP (32-0050)
x2

NOTE: Fasteners supplied with Titan Tray are required for this fitment.

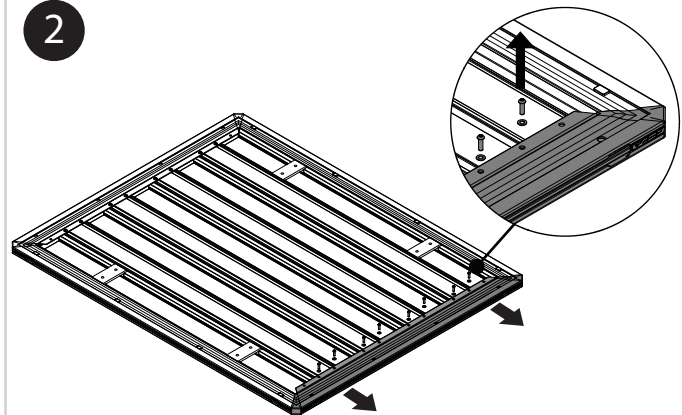
1

Read instructions thoroughly before commencing installation.

Refer to Titan Tray instructions for tray assembly.

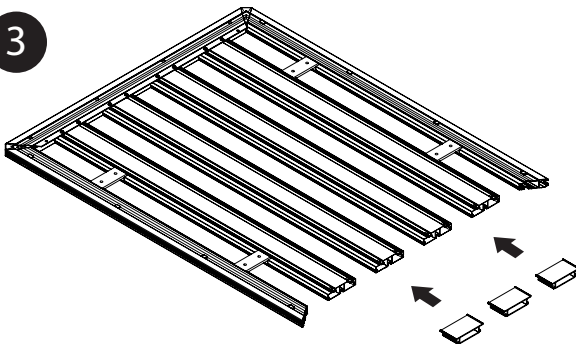
Skip to Step 5 on the following page if you have already inserted the interconnecting blocks.

2



Place tray upside down. Remove fasteners on one side and remove the end plank.

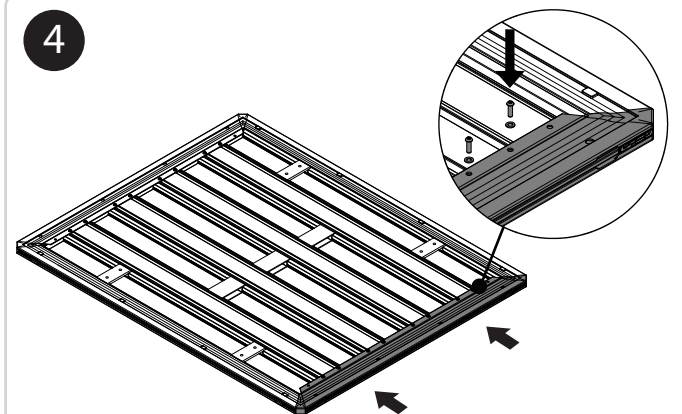
3



For TFT1212, TFT1512 & TFT1812:
Insert the three interconnecting blocks between the four centre planks.
Position interconnecting blocks in the centre of the tray.

For TFT2014:
Insert the four interconnecting blocks between the five centre planks.
Position interconnecting blocks in the centre of the tray.

4

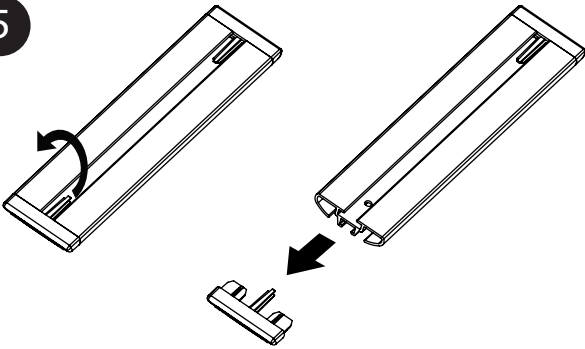


Re-install the end plank and fasteners.
Tighten fasteners securely.

LOW MOUNT FITTING INSTRUCTIONS CONTINUED

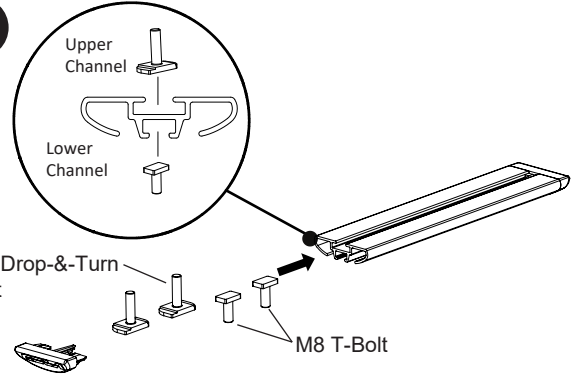
ROLA

5

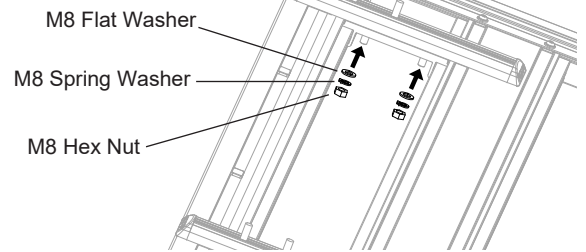


Unclip and remove one end cap from each of the Low Mounts.

6

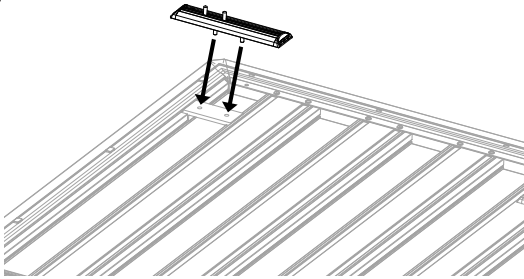


8



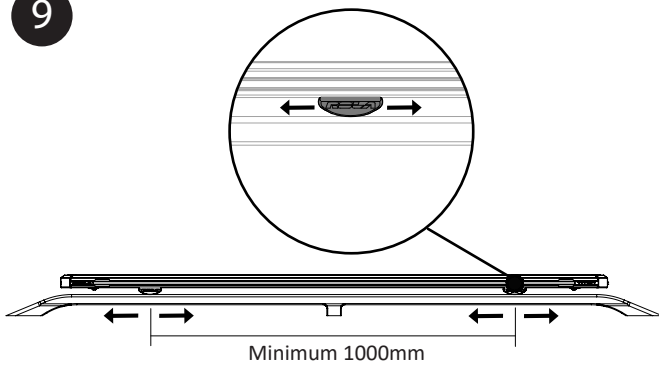
Thread fasteners on drop-&-turn bolts for all locations.
Tip: Leave loose to allow adjustment in next steps.

7



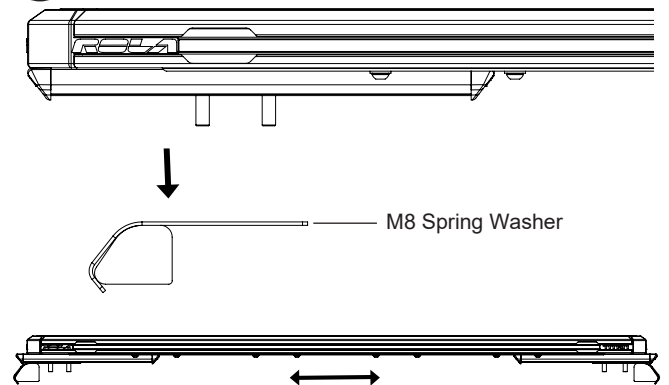
Attach Low Mounts so the M8x35 bolt is on the outside of the tray.
Tip: Work with tray upside down.

9



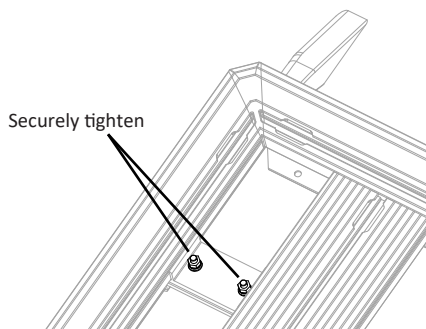
Adjust Low Mounts into the desired position along the vehicle roof rails.
The outer Low Mounts should be a minimum of 1000mm apart.

10



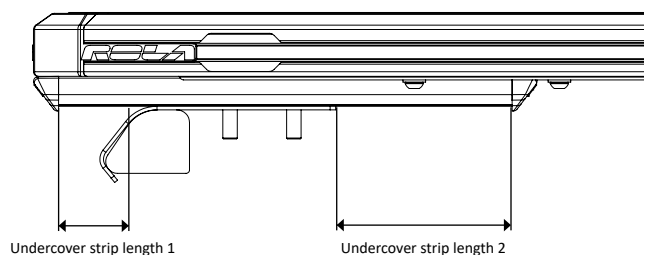
Lower tray on to roof rails with top strap
Adjust Low Mounts and tray to be central on roof

11



Tighten the fasteners on the top of the tray to secure the Low Mounts in place.

12

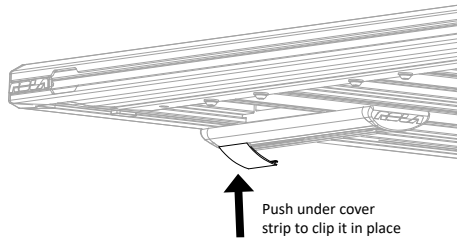


Cut the under-cover strip to the required lengths for each Low Mount.

LOW MOUNT FITTING INSTRUCTIONS CONTINUED

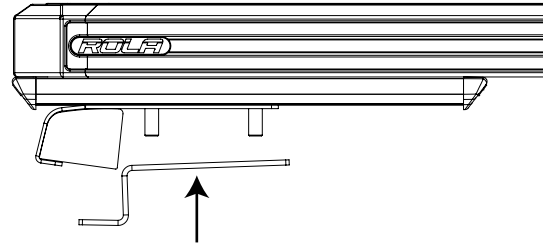
ROLA

13



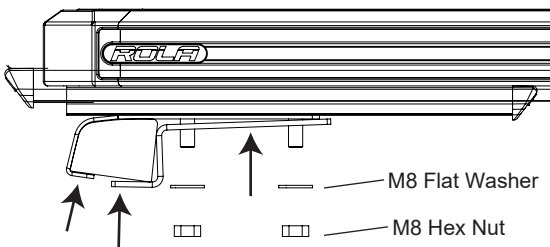
Insert undercover strips

14



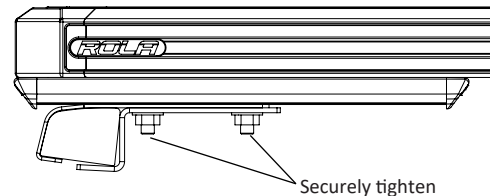
Attach Bottom Strap to Top Strap

15



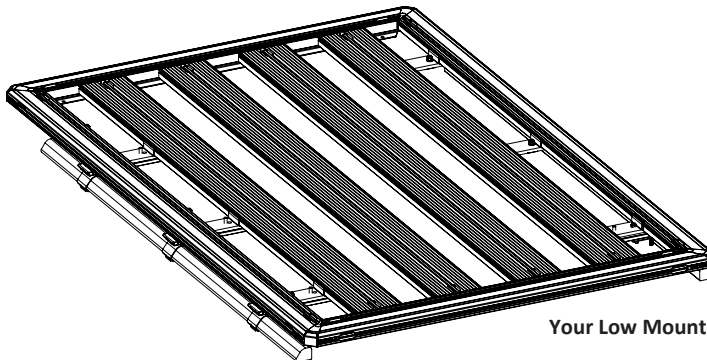
Push lower strap up
Insert washers and nuts and tighten

16



Securely tighten the fasteners to clamp the rails with the rail straps.
Ensure all fasteners are secure.

17



Your Low Mount fitment is now complete

USAGE INSTRUCTIONS

It is essential for the proper assembly, operation and use of the roof-rack that the instructions and safety precautions supplied are strictly observed. The maximum permissible load for your roof rack or tray is the lower of the maximum load capacity specified in your vehicle operation manual, or specified as applying to the roof-rack or tray. Do not exceed the maximum specified load capacity.

Maximum permissible load = weight of the roof-rack and tray + weight of accessories + weight of cargo load.

When fitting the roof-rack and transporting a load, ensure the vehicle's functions are not impaired (e.g. sunroof, aerials, windscreen wipers, mirrors). Hatch and wagon vehicles should be inspected for adequate clearance for full opening operation of the boot/tailgate.

Stop and check all screw connections, bolts and retaining straps after a short distance of travel. Repeat these checks at regular intervals.

WARNINGS

Remember that the fitting of a roof-rack and the transport of a load increases the overall height of the carrying vehicle.

Where the roof-rack is to be used in off-road conditions, a safety weight reduction of 1.5 should be observed from the total carrying capacity (e.g. 60kg becomes 40kg).

Consequent will not be liable to the purchaser or any other person for any consequential, direct or indirect loss, damage or costs incurred or suffered by the purchaser or any other person including but not limited to damage to persons or property, loss of turnover, loss of profits, loss of business or goodwill arising from or in relation to the assembly or use of the roof-rack, or the non-observance of the fitting and care instructions.