

END SUPPORT (RIGHT) x2	END SUPPORT (LEFT) x2	TRACK CAP (CLOSED) x2	TRACK CAP (OPEN) x2	TRACK EXTRUSION x2	SNAP-ON COVER x4	SECURITY COVER x4	HEX NUT x4	SCREW x4	VARIES WITH LENGTH RIVETS	SECURITY BOLT x8	ASSEMBLY KEY x1	CROSS-BAR ASSEMBLY x2
SOME FITMENTS MAY ALSO FEATURE THE FOLLOWING COMPONENTS:				Please Note: You will require the following tools								
MOUNT PAD (RIGHT) x2	MOUNT PAD (LEFT) x2	SECURITY BOLT x4	BOLT COVER x4	Phillips Head Screwdriver	Rivet Gun	Rubber Mallet	Safety Knife	Lead Pencil	Tape Measure	Silicone Adhesive Sealant		

REMOVING THE EXISTING RACK ASSEMBLY

1. Locate the 12 fixing screws which hold the two existing longitudinal tracks to the vehicle roof and unscrew with a torx screwdriver. Retain screws as they are used to fix the ROLA track in place.
2. Lift off the existing rack assembly to reveal 12 threaded fixing points in the roof.

ASSEMBLY OF CROSS-BARS

3. Ensure the roof is clean, free from dust and grease.
4. Insert the neck of the End-Support into the void of the Cross-bar profile. They are designed to be a tight fit: use a rubber mallet if necessary (Fig.1)
5. Pull back the rubber Buffer Strip about 20mm until the screw hole can be accessed.(Fig. 2) Using a Phillips Head Screwdriver, fasten the screw through the cross-bar and into the End Support. Do this for all four sides and replace the buffer strip.

NOTE: The longer cross-bars are to be fitted to the front of the vehicle. Check labelling on the underside of the cross-bar.

FITTING CROSS-BARS TO VEHICLE - REFER TO FIG. 3

6. Place both ROLA tracks on a clean bench.
7. Slide the tie downs to the centre of the tracks making sure the bottom face of the tie down is engaged under the track lip.
8. Slide the large brass nut into the track and secure the tie down to the track using the special bolt.
9. Remove the Adhesive Backing Tape from the underside of the Tracks and place the tracks onto the vehicle roof ensuring alignment of fixed points in roof and hole in tracks.
10. Slide on large brass nut about 100mm from each end of the tracks.
11. Sandwich a closed end cap between the forward end of the tracks and the roof fixing point; then sandwich an open end cap between the rear of the tracks and the roof fixing point.
12. Fix the tracks to the roof using the torx screws from section on (Start from the centre of the tracks and work to the ends ensuring the end caps are still in place).
13. Place the crossbars onto the tracks with the sloping face of the end support facing forward.
14. Align the hole in the end support with the large brass nut which was previously slipping into the track. Loosely fit the special bolt into the nut.
15. Fit each end support in the same manner.
16. Gradually tighten the special bolts alternately until even tensioning is achieved and the end supports are fixed.

PLEASE NOTE: Do not overtighten the bolts.

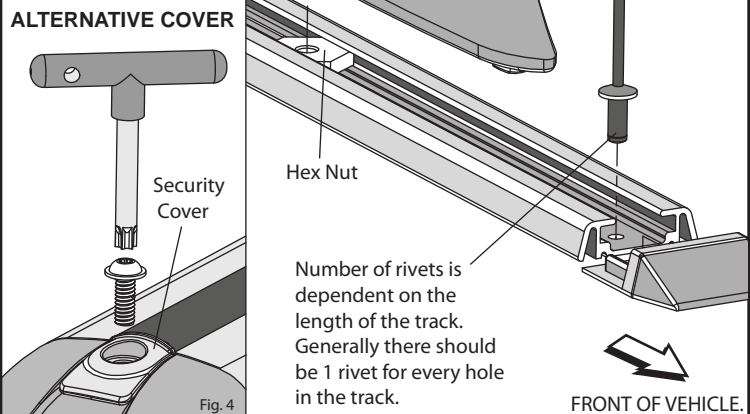
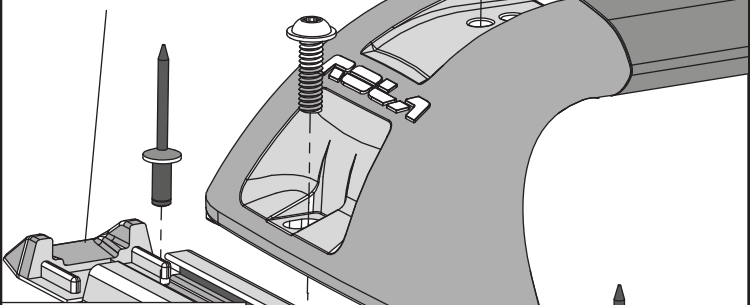
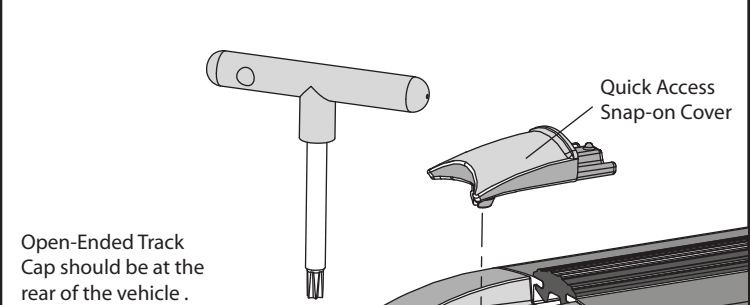
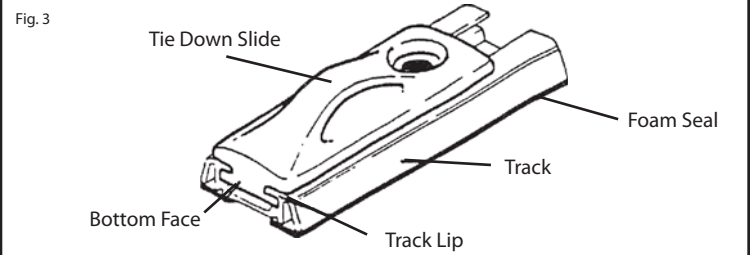
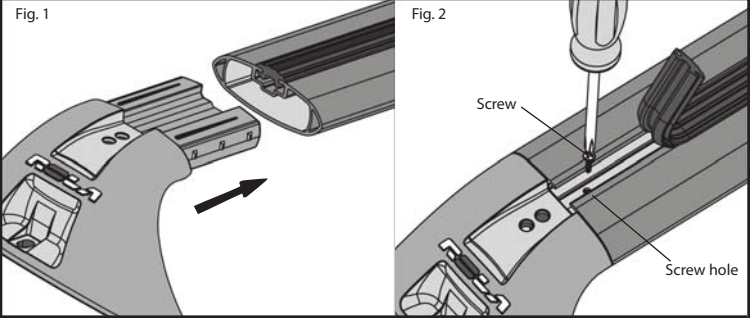
17. You are now ready to mount your accessory set onto the cross-bars using the Global Mount Channel. Once installed, insert the 'Global Channel' Covers into the End Supports. You have a choice of 2 - (a) quick access snap-on cover or (b) long term mounting - security cover to cap off and lock the mount channel. (Fig. 4)

FINAL CHECK

Ensure that Cross-bars are parallel and square to the front and rear axis of the vehicle. After loading, check bolt tightness and ensure that Locking Straps are correctly engaged to the vehicle.

CAUTION:

When installing this roof rack ensure the rivets do not damage or inhibit the effective use of Curtain Airbags. If you are in any doubt regarding the installation of this roof rack, please consult with your vehicle manufacturer or Rola Dealer.



General Usage Information

It is essential for the proper assembly, operation and use of the Roof Rack that the instructions and safety precautions supplied are strictly observed. Read any fitting, care and usage instruction carefully.

The maximum permissible load for your Roof Bar is the lower of the maximum load capacity specified in your vehicle operation manual, or specified as applying to the Roof-Rack. Do not exceed the maximum specified load capacity.

Maximum permissible load = weight of the Roof Rack + weight of accessories + weight of load (cargo).

When fitting the Roof-Rack and transporting a load, ensure the vehicle's functions are not impaired (eg, sunroof, aerials, windscreen wipers, mirrors). Rear doors on Hatch- and Wagon-type vehicles should be inspected for adequate clearance for full opening operation of the boot/tailgate.

Stop and check all screw connections, bolts and retaining straps after a short distance of travel. Repeat these checks at regular intervals.

Warnings

Remember that the fitting of a Roof Rack and the transport of a load increases the overall height of the carrying vehicle.

Where the Roof-Rack is to be used in off-road conditions, a safety weight reduction of 1.5 should be observed from the total carrying capacity. (eg. 60kg becomes 40kg)

Cequent will not be liable to the purchaser or any other person for any consequential, incidental, direct or indirect loss, damage or costs incurred or suffered by the purchaser or any other person including but not limited to damage to persons or property, loss of turnover, loss of profits, loss of business or goodwill, arising from or in relation to the assembly and use of the Roof rack, or the non-observance of the fitting and care instructions.

APPENDICES & ADDITIONAL 'FITMENT SPECIFIC' FITTING STEPS - IF REQUIRED

This area has been intentionally left blank.