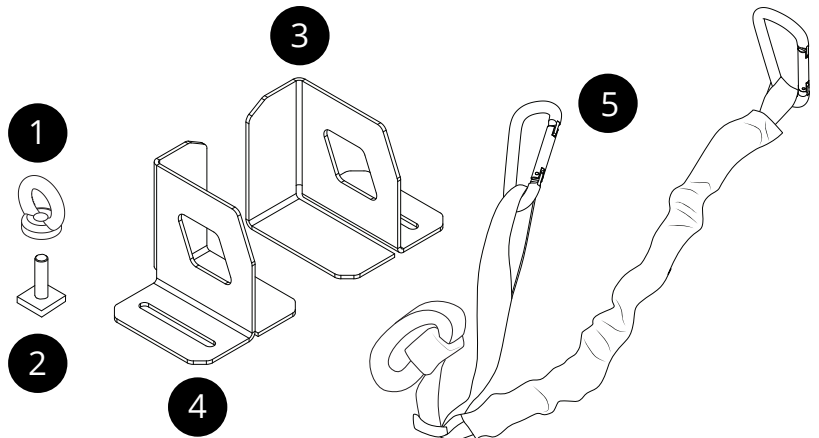


# ROLA®

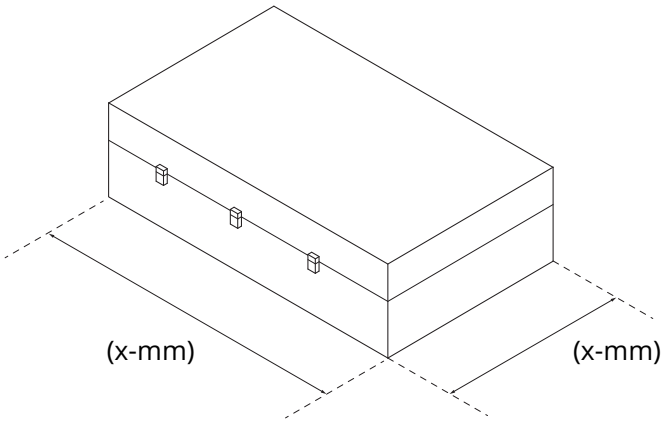
## R-CB-01 CORNER BRACKET

PN	DESCRIPTION	QTY
1	Eye-nut	4
2	T-bolt	4
3	RH Corner Bracket	2
4	LH Corner Bracket	2
5	Elastic Retention Strap	2

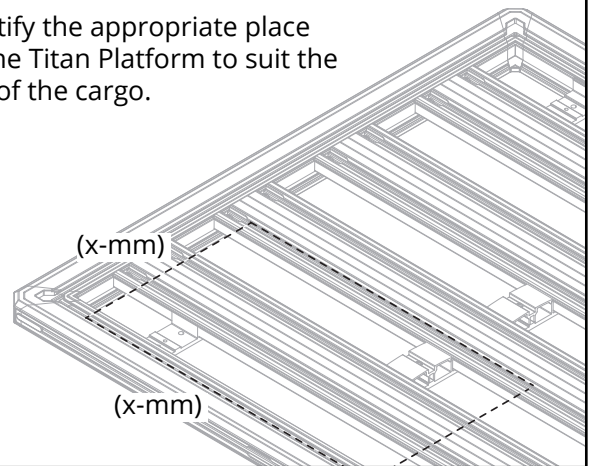


**Tools Required:**  
Screw driver  
Tape measure

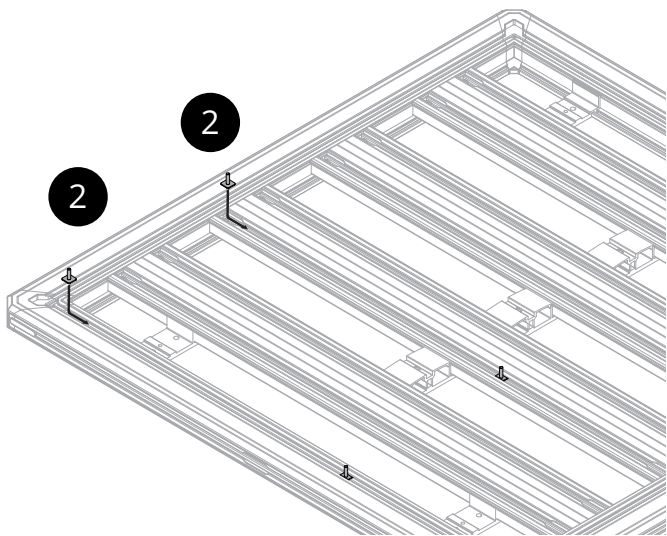
**1** Measure the size of the cargo to be housed with the corner bracket kit.



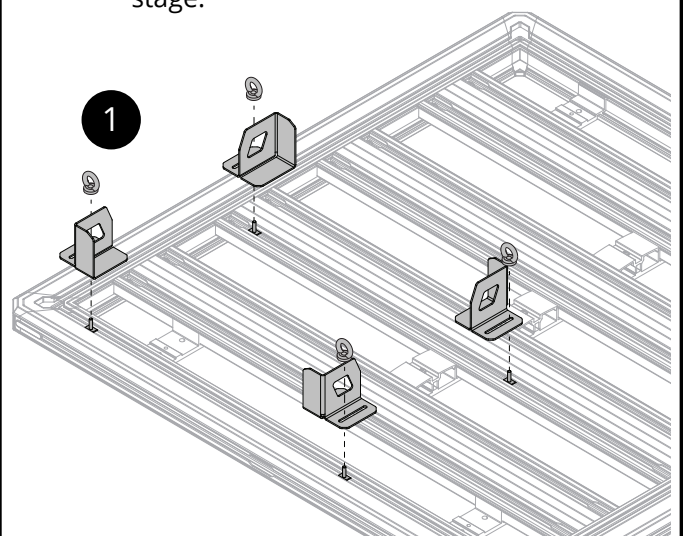
Identify the appropriate place on the Titan Platform to suit the size of the cargo.



**2** Slide a T-bolt into the c-channel of the platform, moving them to dimensions of the previous step.



**3** Place the corner brackets into their corresponding position. Fix with the eye-nuts provided, finger only tighten at this stage.

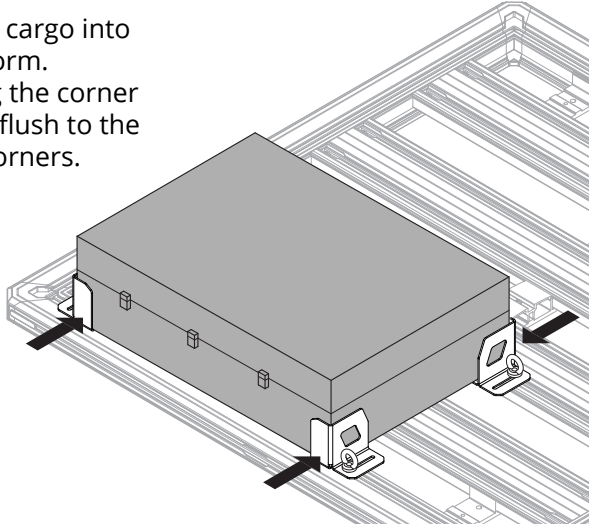


**JUST ADD ADVENTURE**

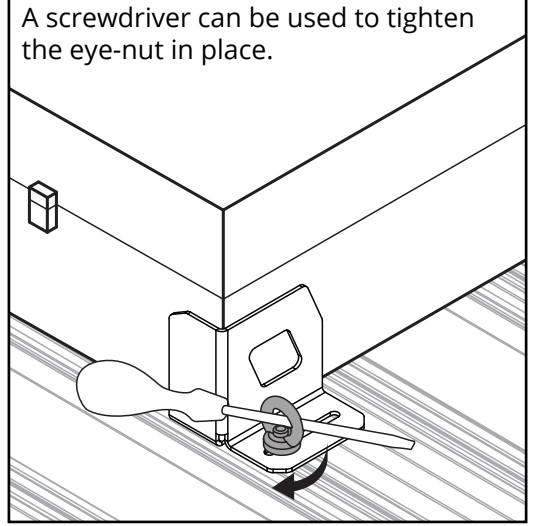
**ROLA**

4

Place the cargo into the Platform. Adjusting the corner brackets flush to the cargo's corners.

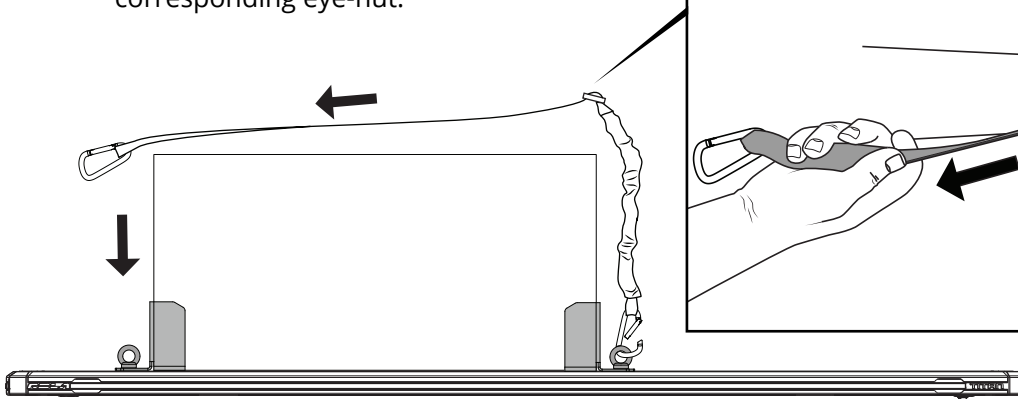


A screwdriver can be used to tighten the eye-nut in place.

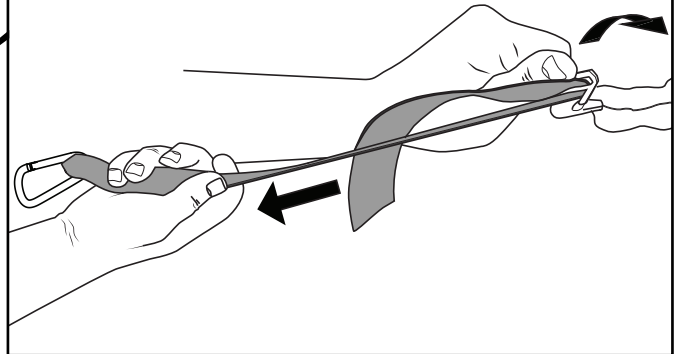


5

Attach one side of the elastic strap to an eye-nut. Stretch to the opposite side of the container and attach to the corresponding eye-nut.



Extend the strap by loosening the cam.



6

Tighten the elastic strap, securing the cargo in place.

