

ROVA

FITTING INSTRUCTIONS FOR
MAZDA 2 Sept'07 Onwards
SEDAN & HATCH
GTX Removable Roof-racks
PART NUMBER: **GTX043R & GTX045R**
FITTING TIME: EST. 15 MINUTES



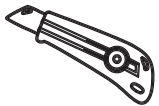



ROOF-RACK LOADING CAPACITY: **45 kgs**

ISSUE: A





ISSUE RELEASE DATE: 12/07/2010

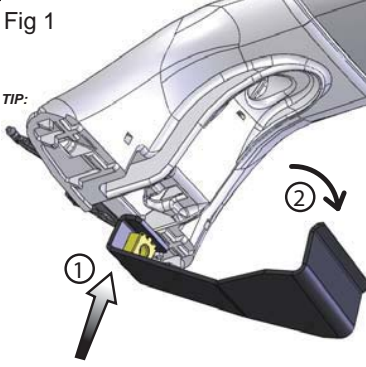
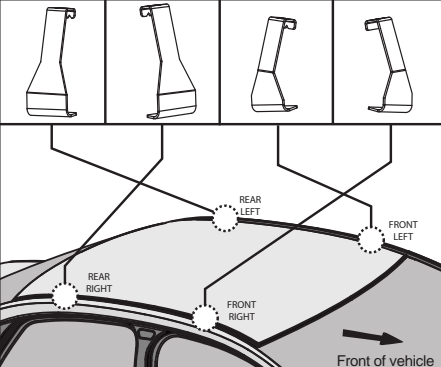
TOTAL NUMBER OF PAGES INCLUDING COVERSHEET: 6

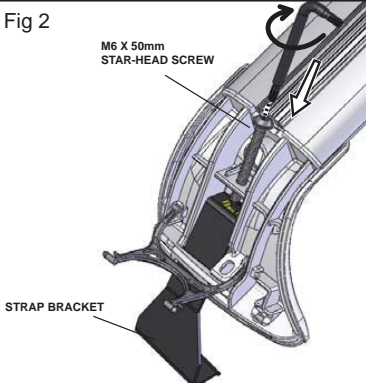
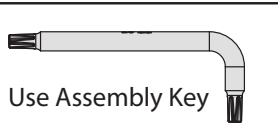
3. TOOLS AND MATERIALS REQUIRED

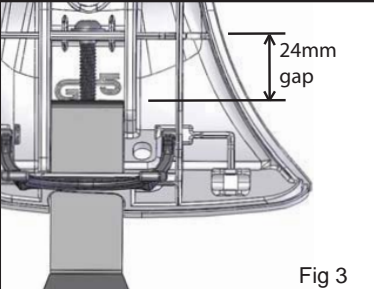
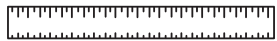
 <p>Cutting Knife - Use to open Kits, and trim Buffer Strip to size.</p>	 <p>Measuring Rule - Use to check dimensions and distances of cross-bars.</p>	 <p>Cleaning/protective Cloth - Use to wipe down vehicle, and use to protect vehicle paint.</p>	 <p>Marking Pencil - Use to mark buffer strip.</p>
--	---	--	--

4. INSTALLATION STEPS

<p>Prior to Assembly, check that your Roof Rack Box contains all the parts as listed above. Ensure the vehicle roof is clean and dry. Refer to the Strap Bracket Identification Table on the right. Use Knife to cut through the packaging polybags.</p>	<p>REAR LEFT</p>  <p>3 notches</p>	<p>REAR RIGHT</p>  <p>2 notches</p>	<p>FRONT LEFT (PASSENGER'S SIDE)</p>  <p>1 notches</p>	<p>FRONT RIGHT (DRIVER'S SIDE)</p>  <p>No Notches</p>
--	---	--	---	--

<p>Fig 1</p> <p>TIP:</p> 	<p>STEP 1</p> <p>With the cross-bars off/away from the vehicle, Feed the 'neck' of the Strap Bracket through the designated cavity in the End Support. (Fig. 1) When Strap neck has been pushed through (1), rotate strap downwards (2) until the Mount Holes in the End Support and the Cage Nut inside the strap are aligned.</p>	
--	--	---

<p>Fig 2</p> <p>M6 X 50mm STAR-HEAD SCREW</p>  <p>STRAP BRACKET</p>	<p>STEP 2</p> <p>Push buffer strip about 40mm back into the cross-bar to allow good access for assembly "L" key to fit into the bolt head. This will assist when fastening components together. Feed the bolt through the mount hole inside the End Support and into the cage-nut on the strap. Proceed to fasten using the assembly key. Ensure that the strap is in-line with the bolt as it is screwed into place. (Fig 2)</p>	 <p>Use Assembly Key</p>
---	--	---

 <p>24mm gap</p> <p>Fig 3</p>	<p>STEP 3</p> <p>When threading the bolt through into the cage-nut, ensure to allow a gap of approx. 24mm from the top of the strap neck to the bolt mount face. (Fig 3) This will allow for maximum condition when fitting straps around the door-return of the vehicle.</p>	 <p>Use Measuring Rule</p>
--	--	---

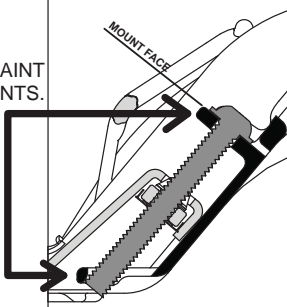
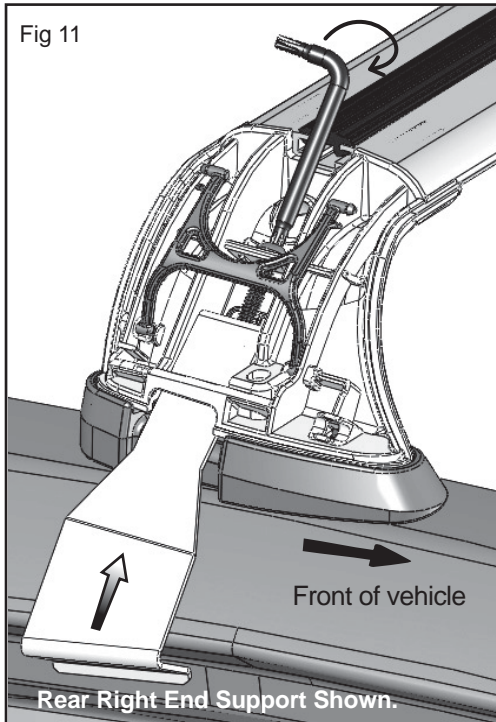
<p>Fig. 4</p> <p>CONSTRAINT POINTS.</p>  <p>MOUNT FACE</p>	<p>STEP 4</p> <p>Once the bolt has been threaded into the cage nut and has come to rest on its mount face, make sure it is fully constrained at the top and bottom as shown by the arrows in (Fig 4)</p> <p>Using your finger you can feel-check that the bolt has been cradled into its designated cavity. Repeat steps 1 to 4 for all four straps.</p>
---	---

Fig 11



STEP 11

Using the assembly "L" Tool supplied, tighten the bolt to pull strap upwards against the vehicle's door return channel.

At this stage, loosely tighten the strap up against the vehicle roof on both the front and rear cross-bars. Whilst tensioning the straps it is important to alternate from the left End Support to the right End Support to ensure an even tension is distributed across the entire rack.

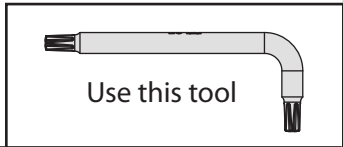
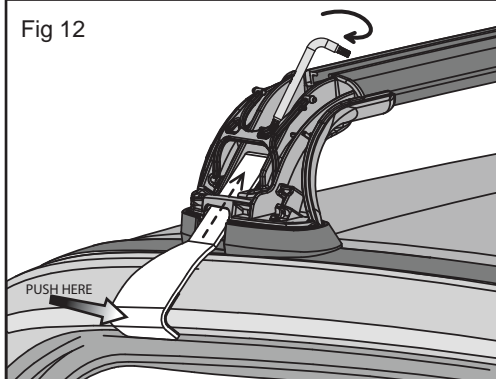


Fig 12

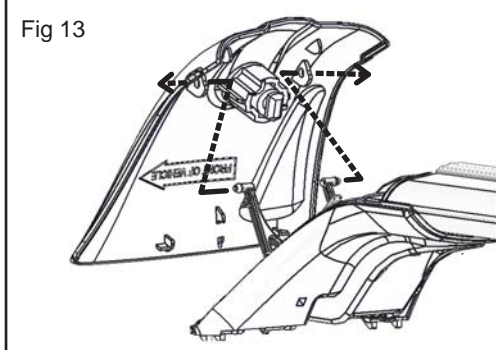


STEP 12

Once all four Strap Brackets have been loosely tightened against the roof-line and the roof-rack is 'fixed' into place on the roof, proceed to fully tighten the straps. Whilst tightening, ensure you alternate sides and ensure that firm pressure is applied in pushing the strap inwards up against the leading edge of the roof. (Fig 12).

Tighten the straps to a very firm hand tightness (to equate to 5Nm) using the tool provided. Perform a manual push/pull tightness test on the cross-bars to ensure they are firmly attached.

Fig 13



STEP 13

Locate ends of hinge with corresponding mount holes on the underside of the Covers. Flex hinge ends together and line up with cover mount holes. Push ends through holes until capped heads of hinge have entirely pushed through. (Fig 10)

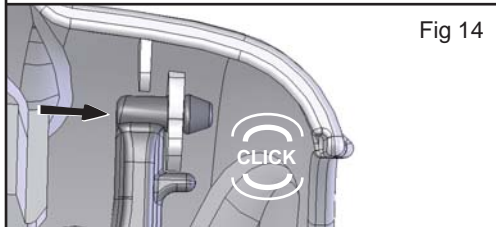
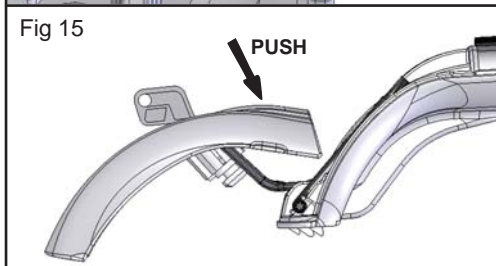


Fig 14

STEP 14

Ensure hinge has been mounted correctly by pushing ends through until you hear an "audible" click. (Fig 11)

Fig 15



STEP 15

Fully extend the cover away from the End Support. Pivot the cover on its hinge whilst pushing the top downwards, until the cover is held fixed. (Fig 11)

Fig 6

'GLOBAL' ACCESSORIES MOUNT CHANNEL

STEP 16

Cutting Knife Tape Measure Marking Pencil

You are now ready to mount your accessories, eg. Bike Carrier, Kayak carrier, etc. utilising the "Global Channel" if applicable. (Fig 16)

Place the accessory onto the buffer strip in the location where it will be mounted in relation to your cross-bars. Using a marking and measuring tool, ie. pencil/tape measure - make your mark onto the rubber buffer strips.

Next, completely remove the buffer strip from its channel within the cross-bars and cut out the portion using heavy duty scissors/shears. **NOTE: DO NOT** dispose of this rubber strip but store it in a secure place to be re-mounted once the accessory has been removed from the rack. This will help reduce wind noise during travel.

Fig 17.

LOCK

PUSH

Locked

Unlocked

STEP 17

Using the 4 keys provided in Covers Kit, proceed to Lock all 4 covers into place by turning the key anti-clockwise. (Fig 17)

PRESS

CLICK

Fig 18

STEP 18

Ensure ALL End Support covers are pushed hard up against the End Support by pressing the area as indicated in Fig 17 and Fig 18.

You should hear an audible "click" when the cover is fully engaged. Do this for all 4 covers.

Remove the key and store in a safe place - eg. with car keys or glove compartment of the vehicle.

USAGE INSTRUCTIONS

It is essential for the proper assembly, operation and use of the Roof-rack that the instructions and safety precautions supplied are strictly observed. The Maximum permissible load for your Roof Bar is the lower of the maximum load capacity specified in your vehicle operation manual, or specified as applying to the Roof-rack. Do not exceed the maximum specified Load capacity.

Maximum Permissible Load = Weight of the Roof-rack + Weight of Accessories + Weight of Load(Cargo).

When fitting the Roof-rack and transporting a load, ensure the vehicle's functions are not impaired (eg. sunroof, aerials, windscreen wipers, mirrors). Rear doors on Hatch - and wagon-type vehicles should be inspected for adequate clearance for full opening operation of the boot/tailgate.

Stop and check all screw connections, bolts and retaining straps after a short distance of travel. Repeat these checks at regular intervals.

WARNINGS

Remember that the fitting of a Roof-rack and the transport of a load increases the overall height of the carrying vehicle.

Where the roof-rack is to be used in off-road conditions, a safety weight reduction of 1.5 should be observed from the total carrying capacity (eg. 60kg becomes 40kg).

Cequent will not be liable to the purchaser of any other person for any consequential, direct or indirect loss, damage or costs incurred or suffered by the purchaser or any other person including but not limited to damage to persons or property, loss of turnover, loss of profits, loss of business or goodwill arising from or in relation to the assembly and use of the Roof-rack, or the non-observance of the fitting and care instructions.