

END SUPPORT (RIGHT) x2	END SUPPORT (LEFT) x2	MOUNT PAD (RIGHT) x2	MOUNT PAD (LEFT) x2	SNAP-ON COVER x4	SECURITY COVER x4	STRAP BRACKET x4	SCREW x4	SECURITY BOLT x4	SECURITY BOLT x4	ASSEMBLY KEY x1	CROSS-BAR ASSEMBLY x2

SOME FITMENTS MAY ALSO FEATURE THE FOLLOWING COMPONENTS:				
	ANCHOR POINT BOLT x4	ALLEN KEY x1	BOTTOM STRAP BRACKET x4	BOLT COVER x4

**Please Note:** You will require the following tools

Phillips Head Screwdriver	Flat Head Screwdriver	Rubber Mallet	Safety Knife

Please read these instructions thoroughly before commencing Installation.

**NOTE: You will require Neutral Cure Silicon to complete this fitment.**

### FITTING OF LOWER STRAPS TO VEHICLE

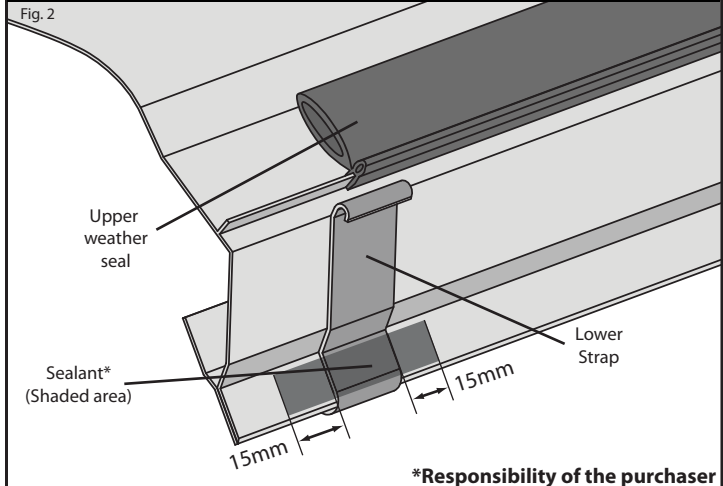
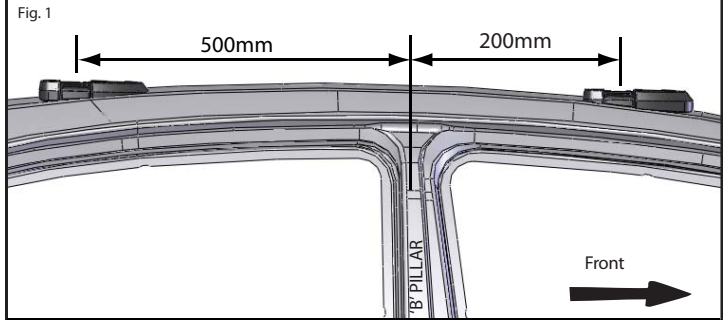
1. Open all doors and mark the distances indicated in Fig.1 on the inside vehicle door return with a felt pen. This will be the centre of the bottom strap.
2. Pull the lower weather seal away from the vehicle to reveal the bottom flange on the vehicle. Below the mark made in section one apply sealant\* 30mm from either side of the mark. (This should leave approximately 15mm of sealant visible on either side of the Lower Strap when fitted) Fig.2.
3. Place the Lower Strap on the lower flange as shown in Fig.2. Apply Sealant to back of the Strap as shown.
4. Before replacing lower weather seal, apply 60mm of silicon inside the lip of the seal and press back together (Fig. 3).
5. Replace the lower weather seal (Hold Lower Strap in place while doing this). Use a damp rag to remove any excess silicon.
6. Ensure that sealant is visible between the vehicle flange and weather seal on either side of the Strap when the lower weather strip is replaced.
7. Repeat for all four (4) straps ensuring that each strap is 100% sealed against the vehicle and weather strip.
8. Refer to next page for fitment of crossbars. Assemble and fit Cross Bars immediately before sealant cures.

\*SEALANT - ONLY use Neutral Cure Silicon sealant, do NOT use Co-Polymer or Acetic Cure Silicon. You will require no more than 50g to complete the assembly

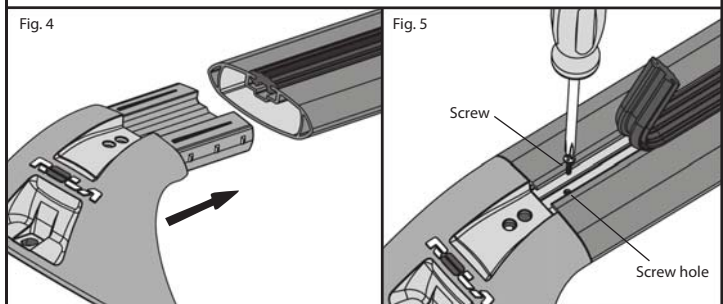
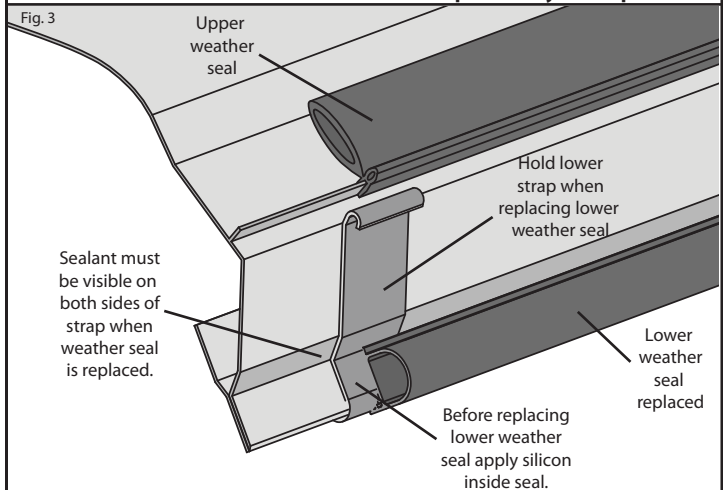
**PLEASE NOTE WHEN THE LOWER STRAP IS IN PLACE IT IS NOT TO BE REMOVED.**

### ASSEMBLY OF CROSS-BARS

9. Ensure the roof is clean, free from dust and grease.
  10. Insert the neck of the End-Support into the void of the Cross-bar profile. They are designed to be a tight fit: use a rubber mallet if necessary (Fig.4)
  11. Pull back the rubber Buffer Strip about 20mm until the screw hole can be accessed.(Fig. 5) Using a Phillips Head Screwdriver, fasten the screw through the cross-bar and into the End Support. Do this for all four sides and replace the buffer strip.
- NOTE:** The longer cross-bars are to be fitted to the front of the vehicle. Check labelling on the underside of the cross-bar.



**\*Responsibility of the purchaser**



**ENSURE LOWER STRAP IS FITTED CORRECTLY BEFORE PROCEEDING**

**FITTING CROSS-BARS TO VEHICLE**

12. Open all four vehicle doors. Hook the upper strap on to the already mounted lower strap (Refer to previous page of this fitting instruction) with the cage nut facing inwards (Fig.6). Place the rubber mount pads onto the roof of the vehicle and tuck under each strap - the pointier end of the mount pad must face towards the front of the vehicle (Fig.7). Gently close the doors to temporarily hold the upper straps in place while fitting the crossbar assemblies.

- ⚠ - Do not flex the brackets forcefully as to prevent permanently deforming the strap bracket profile.
- ⚠ - Please be careful as not to stretch/damage the paint when installing the strap brackets.

13. Place the crossbar onto the mount pads with the sloping face of the End Supports facing towards the front of the vehicle. Loosely fit the bolt (with washer) through the End Support (Fig.7) and into the strap cage nut. Give the bolts 3 or 4 turns with the security key provided. Go to the other side of the vehicle and pull on the End Support and fit the same. This will allow correct alignment of the strap and bolt thread.

14. Tighten the Strap Brackets via the Security Bolts whilst pushing the straps hard up against the vehicle body. Alternate sides whilst tightening for even retention across both sides.

**Note:** Leave a gap of approximately 3 to 5mm between the bottom of End Support and the top of the Strap bracket(Fig. 9). Over-tightening the bolts may result in damage to your vehicle and/or roof-rack.

15. Proceed to follow steps 13 and 14 when mounting the Rear Cross-bar Assy.

16. You are now ready to mount your "Accessories" set onto the cross-bars using the Global Mount Channel. Once installed, insert the 'Global Channel' Covers into the End Supports.

**Note:** You have a choice of 2 - (a) quick access snap-on cover or (b) long term mounting - security cover to cap off and lock the mount channel. (Fig. 8)

**General Usage Information**

It is essential for the proper assembly, operation and use of the Roof Rack that the instructions and safety precautions supplied are strictly observed. Read any fitting, care and usage instruction carefully.

The maximum permissible load for your Roof Bar is the lower of the maximum load capacity specified in your vehicle operation manual, or specified as applying to the Roof-Rack. Do not exceed the maximum specified load capacity. Maximum permissible load = weight of the Roof Rack + weight of accessories + weight of load (cargo).

When fitting the Roof-Rack and transporting a load, ensure the vehicle's functions are not impaired (eg, sunroof, aerials, windscreen wipers, mirrors). Rear doors on Hatch- and Wagon-type vehicles should be inspected for adequate clearance for full opening operation of the boot/tailgate.

Stop and check all screw connections, bolts and retaining straps after a short distance of travel. Repeat these checks at regular intervals.

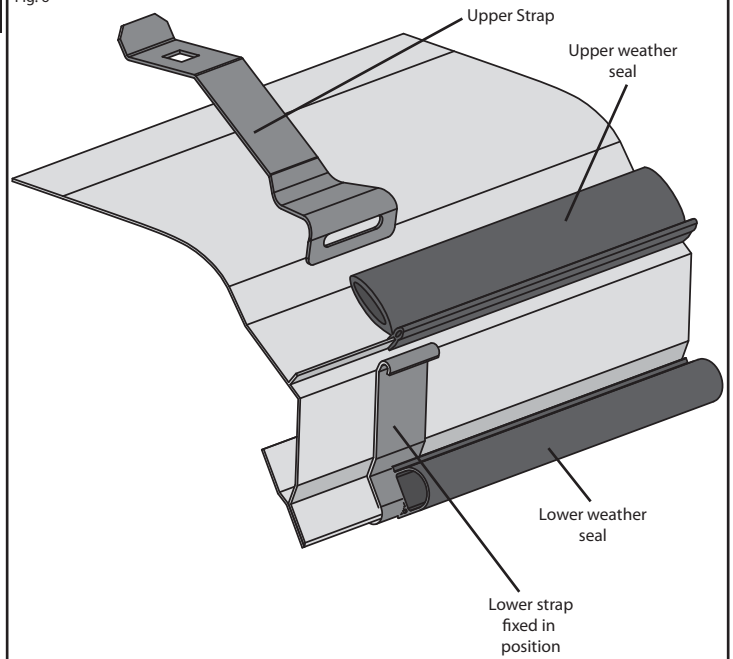
**Warnings**

Remember that the fitting of a Roof Rack and the transport of a load increases the overall height of the carrying vehicle.

Where the Roof-Rack is to be used in off-road conditions, a safety weight reduction of 1.5 should be observed from the total carrying capacity. (eg. 60kg becomes 40kg)

Cequent will not be liable to the purchaser or any other person for any consequential, incidental, direct or indirect loss, damage or costs incurred or suffered by the purchaser or any other person including but not limited to damage to persons or property, loss of turnover, loss of profits, loss of business or goodwill, arising from or in relation to the assembly and use of the Roof rack, or the non-observance of the fitting and care instructions.

Fig. 6



**PLEASE NOTE WHEN THE LOWER STRAP IS IN PLACE IT IS NOT TO BE REMOVED.**

Fig. 7

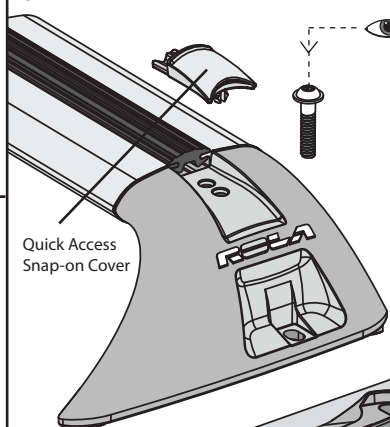


Fig. 8

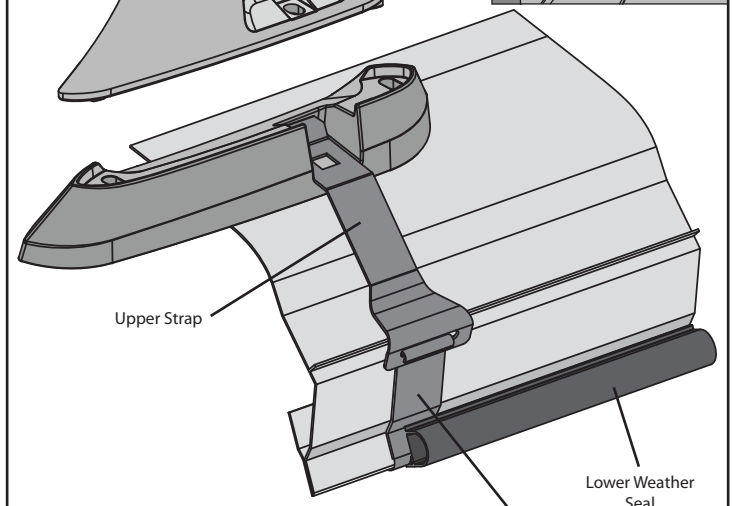
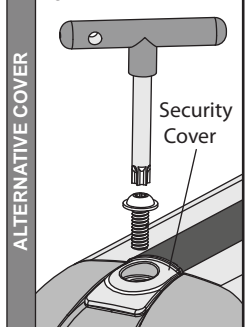


Fig. 9

