

# ROLA®

## R-MSH-01 METAL SHOVEL HOLDER

PN	DESCRIPTION	QTY
1	METAL SHOVEL HOLDERS	2
2	M6 x 16mm BTN HEAD SCREW	4
3	M6 FLAT WASHERS	4
4	M6 T-NUT	4

Tools Required:  
Tape measure

Tools Included:  
5mm Allen tool

**5**

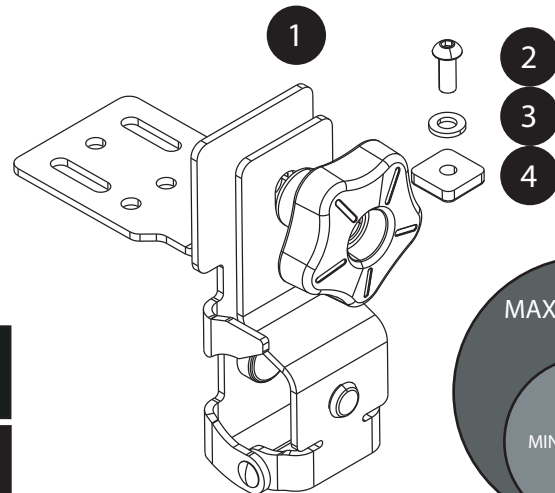
5 YEAR WARRANTY

For full warranty details refer to the website  
[www.rola.com.au](http://www.rola.com.au)

MAX

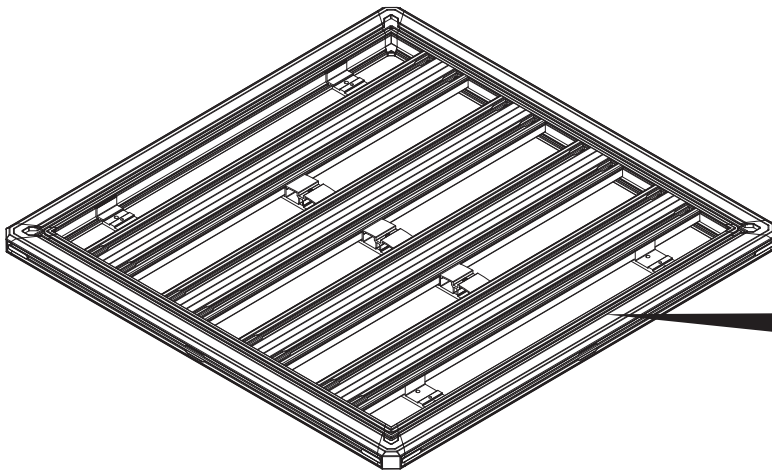
25kg

EACH



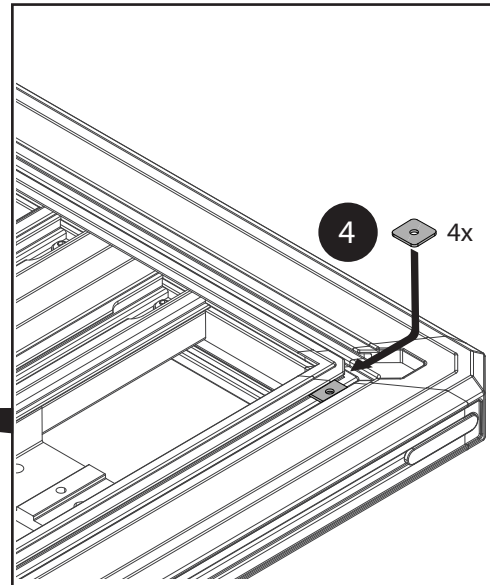
1

Insert T-nuts into the channel on the perimeter of the Platform.



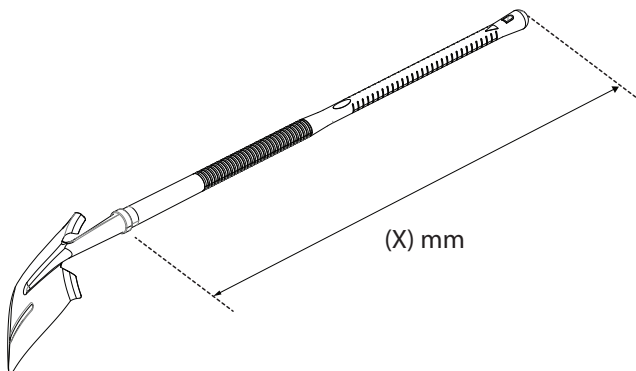
4

4x



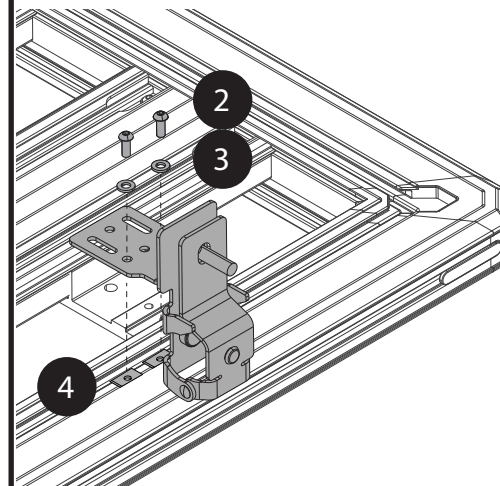
2

Measure size of tool to be carried.



3

Using the M6 hardware provided, loosely fix the holders to the platform.



JUST ADD ADVENTURE

ROLA

