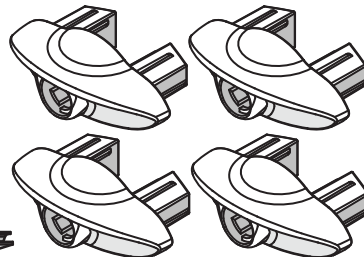
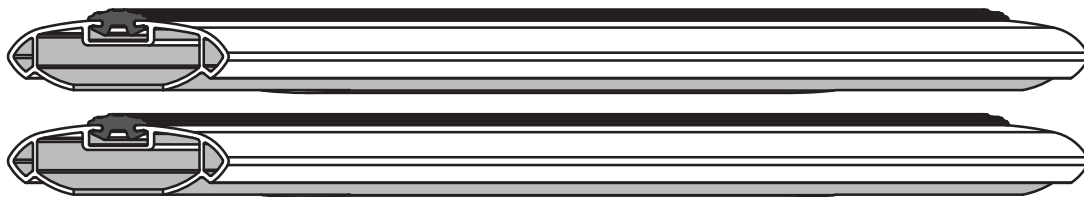


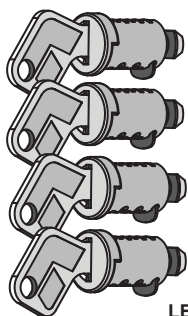
Kit Components



CROSS-BAR KIT



LOCK BARREL KIT



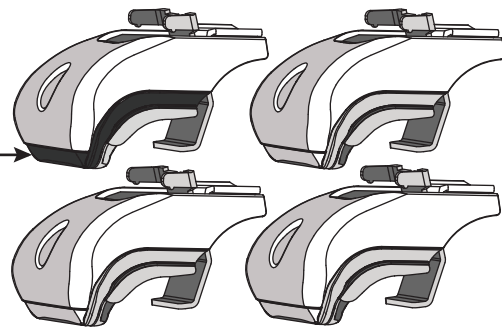
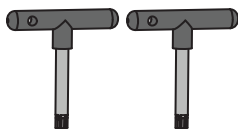
LB04

PARTS LIST

- 2 x CROSS-BARS
- 2 x BUFFER STRIPS
- 2 x UNDERCOVER STRIP LENGTHS(450mm ea.)
- 4 x END SUPPORT ASSEMBLIES
- 4 x REX END CAPS
- 4 x LOCK BARREL & KEY
- 2 x STAR HEAD SECURITY KEY

END SUPPORT KIT

PLEASE NOTE
Your End Supports may come fitted with height extenders (as shown in black) - depending on vehicle.



TOOLS REQUIRED: Cutting Blade, Lead Pencil, Steel Rule, Measuring Tape - Please read instructions thoroughly before commencing installation.

Fitment of Cross Bars to Vehicle

Step 1

Ensure that the roof rails are clean, free of dust and grease. Pre-assemble the End Supports into the cross-bars. Take care to avoid your hand coming into contact with any sharp edges.

Remove all end-caps from crossbars to allow access for assembly of parts.

Slide the end Support along to the desired position approximating its fixed position on the vehicle's rails. (Fig. 1). Strap is to be held extended to allow the end support to be located onto the rail bars. (Fig.2)

Fig 1

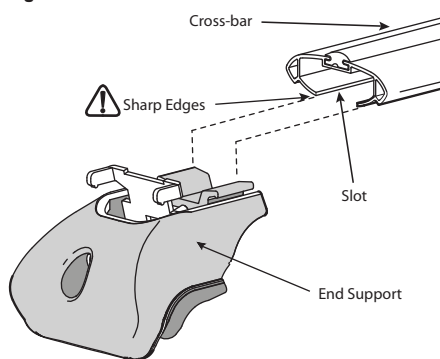
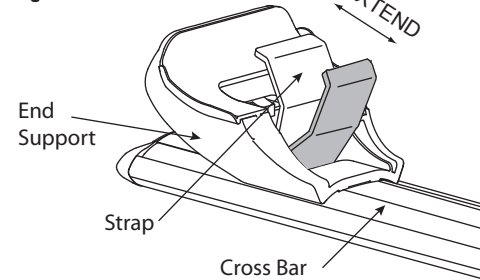


Fig 2



Note: Do Not Extend beyond thread of bolt.

Step 2

Place the Cross-bar onto the vehicle rail. (Fig 3) Make sure the over-hang of the cross-bars is even on both sides [denoted by (X) in Fig.4]

With the End Supports and Cross-bar located on the rails, mark out the End Support position on the Cross-bar. This marked position will indicate the required cut length of Undercover Strip (A). (Also refer to Fig. 7)

Fig 3

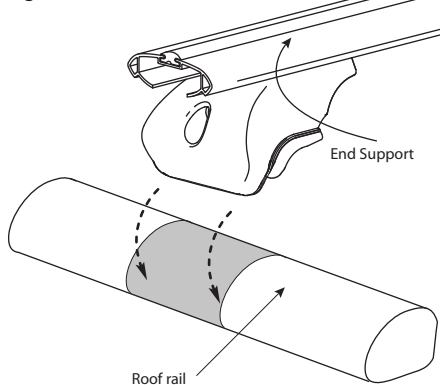
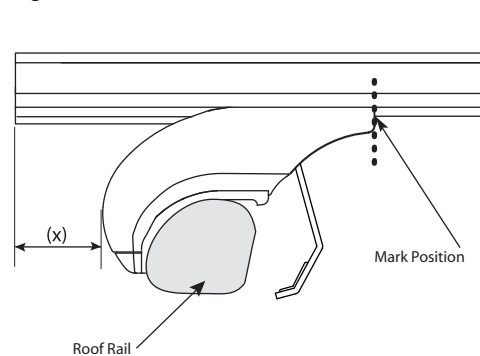


Fig 4

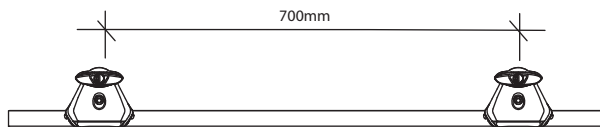


Step 3

Using a measuring tape, measure the crossbars to be 700mm apart (Fig 5). Make sure the cross-bars are conveniently placed on the vehicle's roof whilst considering the following:

- Roof-mounted Aerial clearance
- Sunroof operation

Fig 5

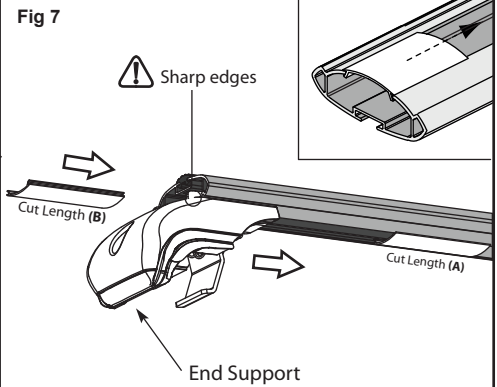
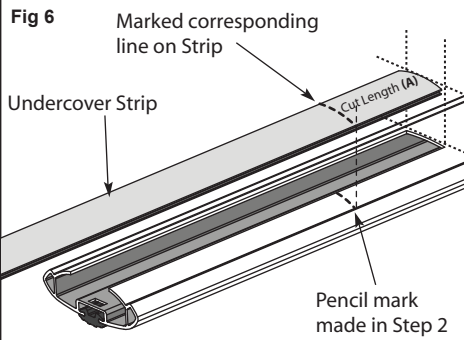


Remove cross-bars from the vehicle.

Fitment of Cross Bars to Vehicle

Step 4

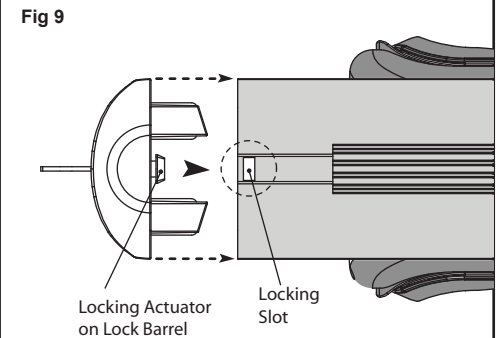
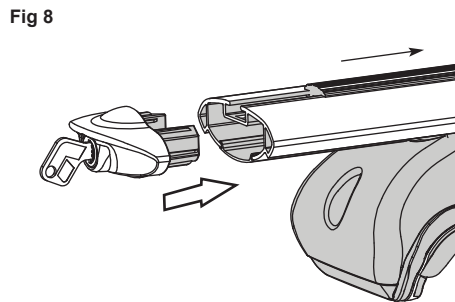
With the cross-bars removed, line up the undercover strip with the cut-out on the cross-bar. Ensuring the 'Strip edge' and the 'crossbar cut-out edge' are aligned, mark the strip with a line that corresponds to the line you marked on the crossbar, as instructed in Step 2 of page 1. Using a Rule and a Blade, score a straight line and snap off this piece from the length of Undercover Strip. This becomes Cut Length (A) as shown in (Fig 6). Slide (A) as far in as possible. Do this for all four (A) strips. Insert all four End Supports and using the remaining Undercover Strip, insert into the remainder of the crossbar cut-out till fully covered. Cut to edge of crossbar all four (B) strips as shown in (Fig 7).



Step 5 Refer to LB (Lock Barrel Kit) Fitting Instructions provided - for assembly of Locking Barrel into Endcap.

Step 6

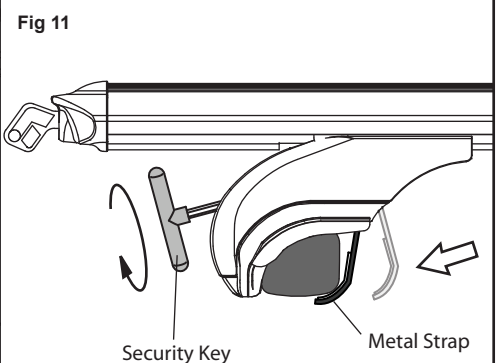
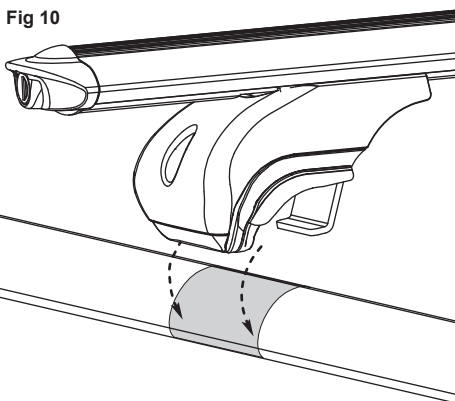
Pull back the buffer strip to allow access to the end of the cross-bar. Insert Endcap into the Cross-bar by locating the two 'feet' of the Endcap into the void inside the cross-bar (Fig 8). Push through until End-cap edge comes to rest against the edge of the cross-bar. This is important as the Locking Actuator inside the Endcap has to locate within the Locking slot on the end of the cross-bar. (Fig 9)



Step 7

Place the assembled Roof-racks back onto the vehicle's rails in the same position as initially measured against. (Fig 10) Ensure that both bars are parallel and square to the front and rear axis of the vehicle and that the metal straps have located correctly against the rails ensuring there is adequate 'cupping'.

Using the Security Key provided, proceed to tighten the bolts whilst alternating sides to ensure even tension is achieved across the bars (Fig.11)



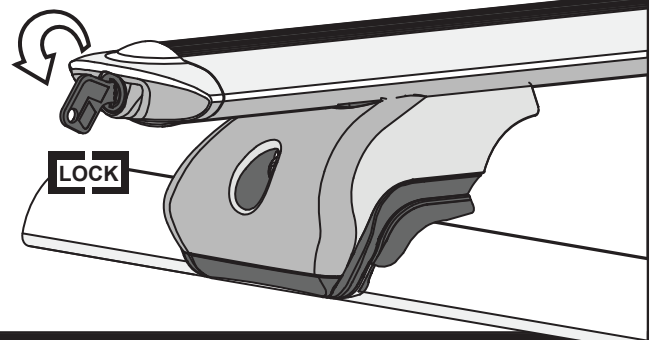
Tip: To ensure robust attachment, turn screw through 4-5 full revolutions after achieving a snug condition between the End Support & Inner Strap against the Rail bar (ie. 4-5 turns after eliminating all free-play in system)

Final Check

After loading the roof-racks, check the tightness of all bolts and ensure that the metal straps are positively engaged and tight up against the vehicle's rails.

Ensure the Endcap is locked against the Cross-bar by turning the key 90° anti-clockwise to the locked position. (Fig.12)
Store the keys in a safe location:
eg. Car key chain or Glove compartment of vehicle.

Fig 12



Usage Instructions

- Loads should be evenly distributed and secured. A number of accessories for carrying special loads are available.
- ONLY use NON-STRETCH tie down straps.**
- Any weight carried on the vehicle will adversely affect its handling, particularly in cornering and/or crosswinds, and therefore the vehicle should be driven with increased caution.
- Regularly check the tightness of the securing Metal Straps and the security of the load.
- Be aware of statutory requirements regarding maximum permissible projections from vehicles.