



FITTING INSTRUCTIONS FOR  
Kia Sorento Without Roof Rails  
Released Oct-2012  
GTX Removable Roof-racks  
PART NUMBER: **GTX103R**  
FITTING TME: Est. 15 Minutes





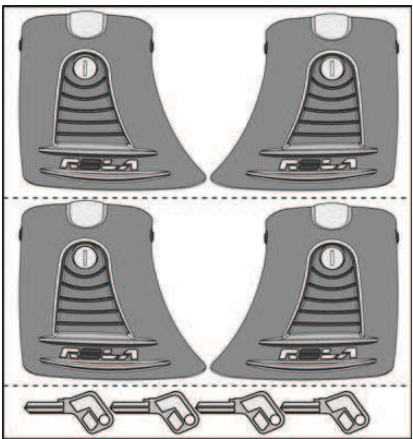
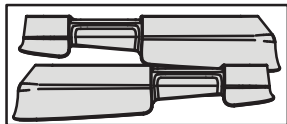
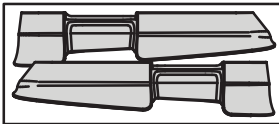
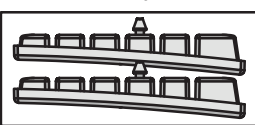
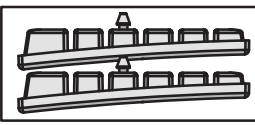
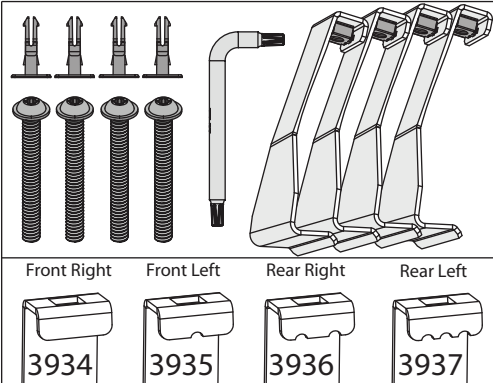
ROOF-RACK LOADING CAPACITY: **60kgs**

**ISSUE: A**

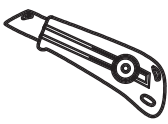
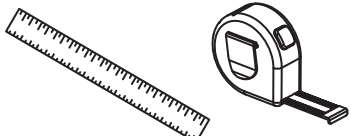


**ISSUE RELEASE DATE: 28/11/2012**

**TOTAL NUMBER OF PAGES INCLUDING COVERSHEET: 6**

## 2. KIT DRAWING AND CONTENTS

ITEM #	PARTS	QTY	DESCRIPTION
1	 <p>LENGTH = 1074mm M Curve</p>	x1	ROOF-RACK CROSS-BAR ASSY (FRONT)
2	 <p>LENGTH = 1040mm M Curve</p>	x1	ROOF-RACK CROSS-BAR ASSY (REAR)
3		x1	ROLA END SUPPORT COVER KIT (SET OF 4) (25-0150)  - LEFT COVERS x2 - RIGHT COVERS x2 - KEYS
4	<div style="display: flex; justify-content: space-around;"> <div style="text-align: center;"> <p>Front Pads Set</p>  </div> <div style="text-align: center;"> <p>Rear Pads Set</p>  </div> </div> <div style="display: flex; justify-content: space-around; margin-top: 10px;"> <div style="text-align: center;"> <p>Front Adapter Set</p>  </div> <div style="text-align: center;"> <p>Rear Adapter Set</p>  </div> </div>	x1 x1 x1 x1	M2 FRONT MOUNT PADS KIT (25-0173) M2 REAR MOUNT PADS KIT (25-0174) H2 FRONT ADAPTER KIT (25-0177) H2 REAR ADAPTER KIT (25-0178)
5	 <p>Front Right 3934    Front Left 3935    Rear Right 3936    Rear Left 3937</p>	x1	STRAP BRACKETS AND HARDWARE KIT  - TT27 ASSEMBLY 'L' KEY x1 (22-0811) - M6x50mm STAR HEAD BOLT x4 (22-0355) - STRAP BRACKETS x4 - T CLIP x4 (27-0806)

## 3. TOOLS AND MATERIALS REQUIRED

 <p><b>Cutting Knife</b> - Use to open Kits, and trim Buffer Strip to size.</p>	 <p><b>Measuring Rule</b> - Use to check dimensions and distances of cross-bars.</p>	 <p><b>Cleaning/protective Cloth</b> - Use to wipe down vehicle, and use to protect vehicle paint.</p>	 <p><b>Marking Pencil</b> - Use to mark buffer strip.</p>
--	---	--	--

## 4. INSTALLATION STEPS

Prior to Assembly, check that your Roof Rack Box contains all the parts as listed above. Ensure the vehicle roof is clean and dry. Refer to the Strap Bracket Identification Table on the right. Use Knife to cut through the packaging polybags.





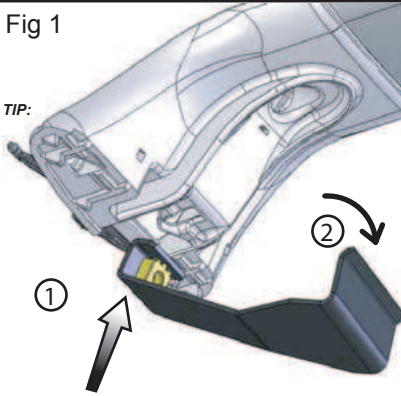
REAR LEFT	REAR RIGHT	FRONT LEFT (PASSENGER'S SIDE)	FRONT RIGHT (DRIVER'S SIDE)
			
3 notches	2 notches	1 notches	No Notches

Fig 1

TIP:



### STEP 1

With the cross-bars off/away from the vehicle, Feed the 'neck' of the Strap Bracket through the designated cavity in the End Support. (Fig. 1) When Strap neck has been pushed through (1), rotate strap downwards (2) until the Mount Holes in the End Support and the Cage Nut inside the strap are aligned.

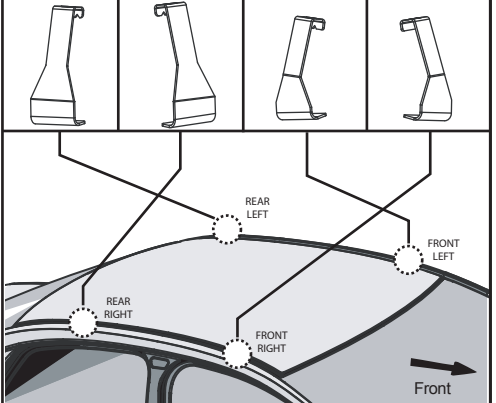
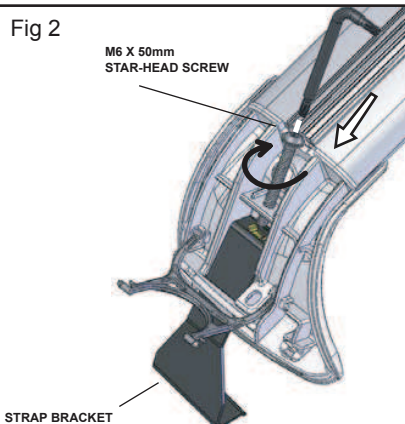


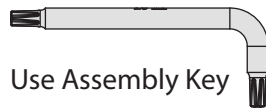
Fig 2

M6 X 50mm  
STAR-HEAD SCREW



### STEP 2

Push buffer strip about 40mm back into the cross-bar to allow good access for assembly "L" key to fit into the bolt head. This will assist when fastening components together. Feed the bolt through the mount hole inside the End Support and into the cage-nut on the strap. Proceed to fasten using the assembly key. Ensure that the strap is in-line with the bolt as it is screwed into place. (Fig 2)



Use Assembly Key

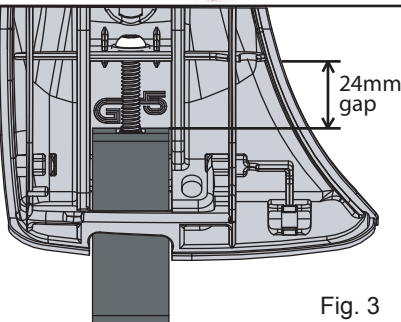


Fig. 3

### STEP 3

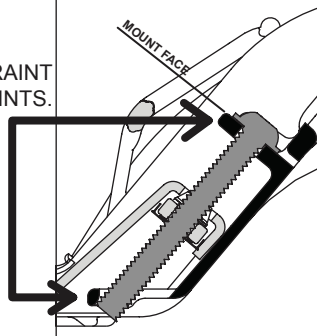
When threading the bolt through into the cage-nut, ensure to allow a gap of approx. 24mm from the top of the strap neck to the bolt mount face. (Fig 3) This will allow for maximum condition when fitting straps around the door-return of the vehicle.



Use Measuring Rule

Fig. 4

CONSTRAINT  
POINTS.

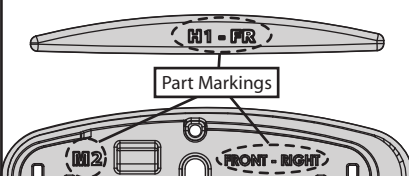


### STEP 4

Once the bolt has been threaded into the cage nut and has come to rest on its mount face, make sure it is fully constrained at the top and bottom as shown by the arrows in Fig. 4.

Using your finger you can feel-check that the bolt has been cradled into its designated cavity. Repeat steps 1 to 4 for all four straps.

Fig. 5



### STEP 5

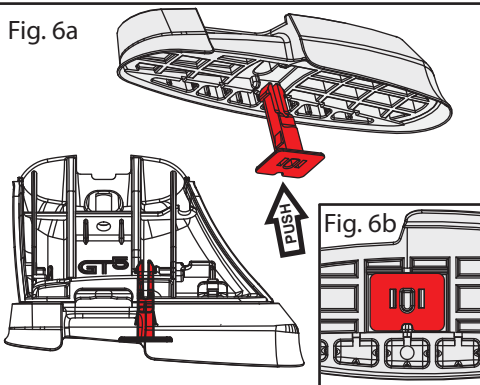
Refer to the part markings engraved in the parts to identify your set of Mount Pads.

Your set includes:

Front: M2 Pads with H2 Adapters

Rear: M2 Pads with H2 Adapters

Fig. 6a

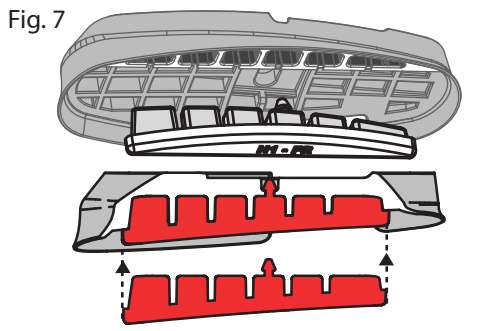


### STEP 6

Insert the T-clip into the underside of the mount pad. Ensure that the clip orientation is as per figure 6b. Make careful note of the notched section's fitment into the recess of the pad. Repeat this for all 4 mounting pads.

**NOTE:** When attaching the pad to the end support in STEP 11, ensure that the T-clip protrudes all the way through the mounting hole on the end support so that they are fixed together.

Fig. 7

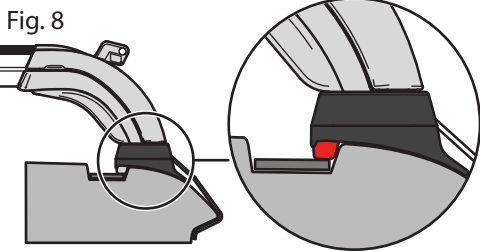


### STEP 7

Ensure you have sorted the Adapters to correspond with their respective Mount Pads. Insert the Adapters into the bottom of the Mount Pad ensuring you maintain alignment with the designated cavities. Push through firmly until you can see the 'pip' has completely protruded through into the top surface.

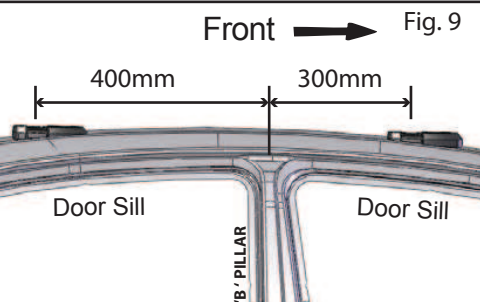
Repeat steps 5 and 6 for all four Mount pads.

Fig. 8



### STEP 8

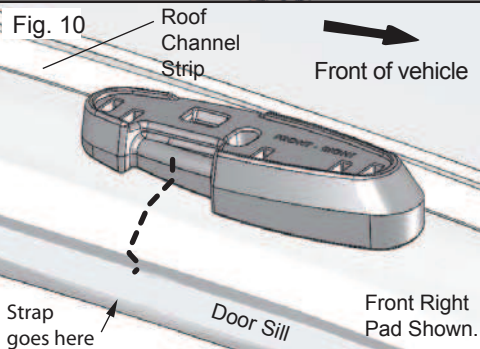
Use Cleaning/protective cloth to wipe away and dirt/dust/water from the roof before mounting pads onto the vehicle. When placing the Mount Pads onto the roof of the vehicle, ensure that the adapter sits inside the gutter channel on the roof whilst the base of the pad rests on the smooth face of the roof turret (see Fig 8).



### STEP 9

Using a rule, measure the distances specified in the diagram from the 'part line' between front and rear doors located on the "b" pillar.

**NOTE:** Keep all doors ajar whilst working though the remainder of the installation steps.



### STEP 10

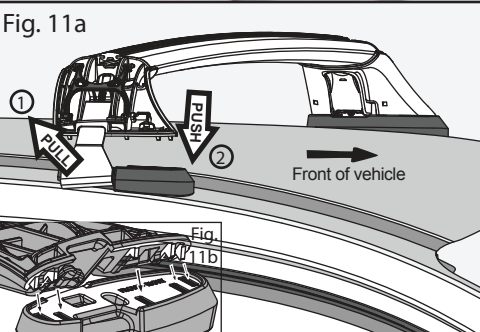
Align the measured locations from Step 9 with the centre of the recess of all 4 mount pads. (Fig 10).



**Caution:** For Steps 10 to 12 ensure to use a soft cloth where applicable, to cushion the End Support and Strap Brackets from coming into contact with the vehicle paint.



Fig. 11a



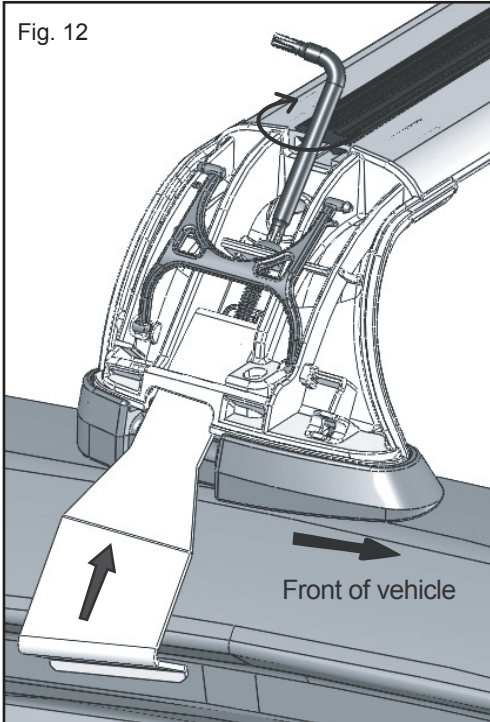
### STEP 11

With one strap loosely mated around the door return, hold the other strap in your fingers whilst flexing it outwards of the roof body. (Refer to Step ① in Fig 11a).

Next proceed to pull the strap down over the roof body and into its designated place around the door return. (Refer to Step ② in Fig 11a)

Ensure the End Support has fully located into the grooves of the Mount Pad. (Fig. 11b) and the T-clip has locked into place in the end support.

Fig. 12



### STEP 12

Using the assembly "L" Tool supplied, tighten the bolt to pull the strap upwards against the vehicle's door return channel.

At this stage, loosely tighten the strap up against the vehicle roof on both the front and rear cross-bars. Whilst tensioning the straps it is important to alternate from the left End Support to the right End Support to ensure an even tension is distributed across the entire rack.

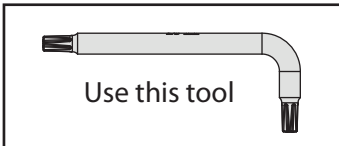
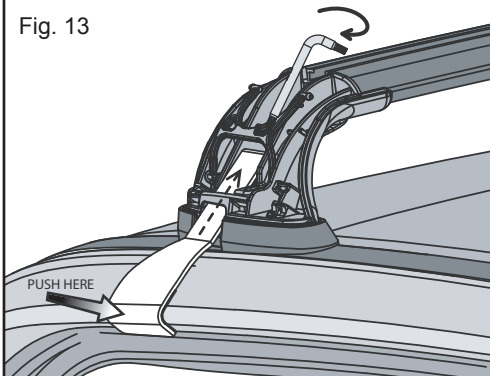


Fig. 13

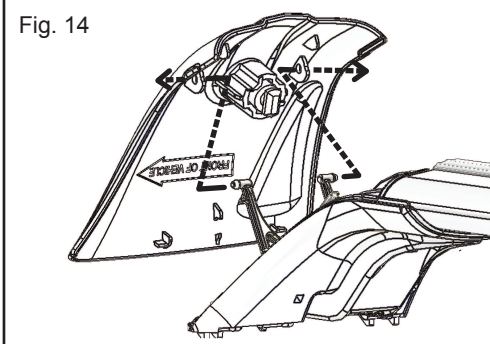


### STEP 13

Once all four strap brackets have been loosely tightened against the roof-line and the roof-rack is fixed into place on the roof, proceed to fully tighten the straps. Ensure you alternate sides and ensure that firm pressure is applied in pushing the strap inwards and up against the leading edge of the roof (Fig. 13).

Tighten the straps to a very firm hand tightness (to equate to 5Nm) using the tool provided. Perform a manual push/pull tightness test on the cross-bars to ensure they are firmly attached.

Fig. 14



### STEP 14

Locate ends of hinge with corresponding mount holes on the underside of the Covers. Flex hinge ends together and line up with cover mount holes. Push ends through holes until capped heads of hinge have entirely pushed through. (Fig 14).

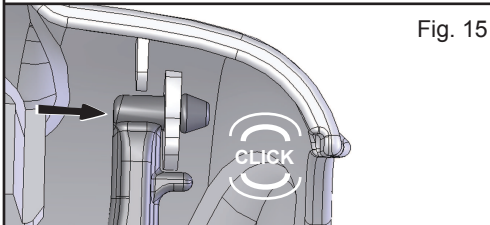
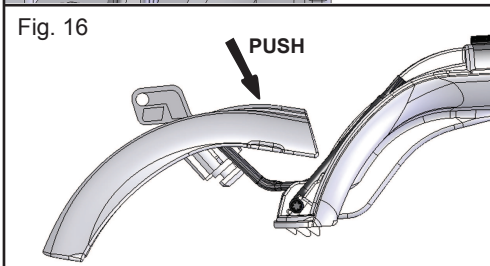


Fig. 15

### STEP 15

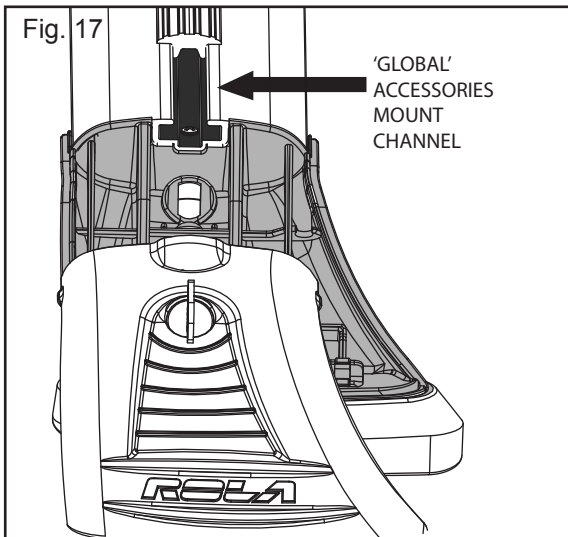
Ensure hinge has been mounted correctly by pushing ends through until you hear an "audible" click. (Fig 15).

Fig. 16



### STEP 16

Fully extend the cover away from the End Support. Pivot the cover on its hinge whilst pushing the top downwards, until the cover is held fixed. (Fig 16).



## STEP 17



Cutting Knife



Tape Measure

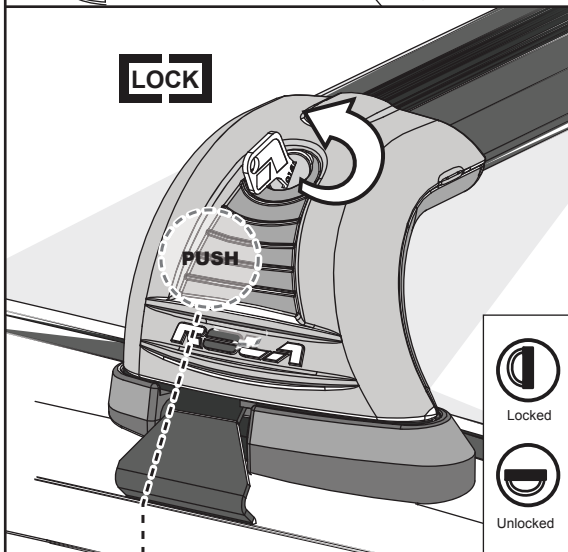


Marking Pencil

You are now ready to mount your accessories, eg. Bike Carrier, Kayak carrier, etc. utilising the "Global Channel" if applicable. (Fig. 17).

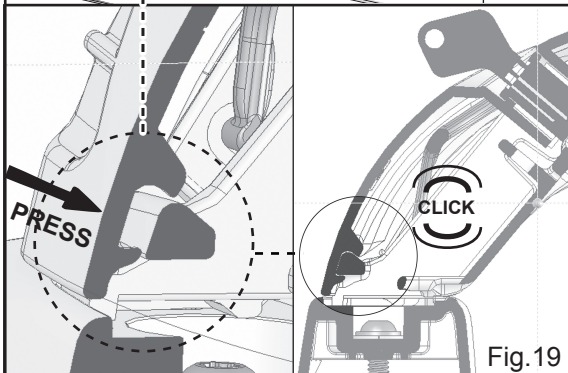
Place the accessory onto the buffer strip in the location where it will be mounted in relation to your cross-bars. Using a marking and measuring tool, ie. pencil/tape measure - make your mark onto the rubber buffer strips.

Next, completely remove the buffer strip from its channel within the cross-bars and cut out the portion using heavy duty scissors/shears. **NOTE: DO NOT** dispose of this rubber strip but store it in a secure place to be re-mounted once the accessory has been removed from the rack. This will help reduce wind noise during travel.



## STEP 18

Using the 4 keys provided in Covers Kit, proceed to Lock all 4 covers into place by turning the key anti-clockwise. (Fig. 18).



## STEP 18

Ensure ALL End Support covers are pushed hard up against the End Support by pressing the area as indicated in Fig. 18 and Fig. 19.

You should hear an audible "click" when the cover is fully engaged. Do this for all 4 covers.

Remove the key and store in a safe place - eg. with car keys or glove compartment of the vehicle.

## USAGE INSTRUCTIONS

It is essential for the proper assembly, operation and use of the Roof-rack that the instructions and safety precautions supplied are strictly observed.

The Maximum permissible load for your Roof Bar is the lower of the maximum load capacity specified in your vehicle operation manual, or specified as applying to the Roof-rack. Do not exceed the maximum specified Load capacity.

Maximum Permissible Load = Weight of the Roof-rack + Weight of Accessories + Weight of Load(Cargo).

When fitting the Roof-rack and transporting a load, ensure the vehicle's functions are not impaired (eg. sunroof, aerials, windscreen wipers, mirrors). Rear doors on Hatch - and wagon-type vehicles should be inspected for adequate clearance for full opening operation of the boot/tailgate.

Stop and check all screw connections, bolts and retaining straps after a short distance of travel. Repeat these checks at regular intervals.

## WARNINGS

Remember that the fitting of a Roof-rack and the transport of a load increases the overall height of the carrying vehicle.

Where the roof-rack is to be used in off-road conditions, a safety weight reduction of 1.5 should be observed from the total carrying capacity (eg. 60kg becomes 40kg).

Cequent will not be liable to the purchaser of any other person for any consequential, direct or indirect loss, damage or costs incurred or suffered by the purchaser or any other person including but not limited to damage to persons or property, loss of turnover, loss of profits, loss of business or goodwill arising from or in relation to the assembly and use of the Roof-rack, or the non-observance of the fitting and care instructions.