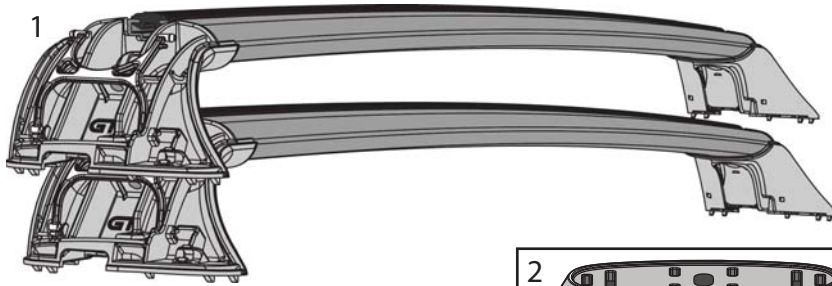
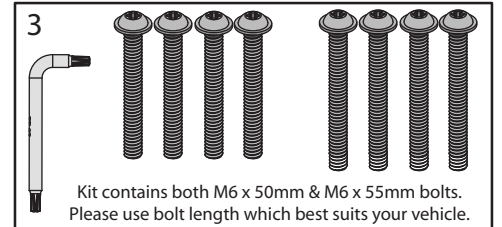
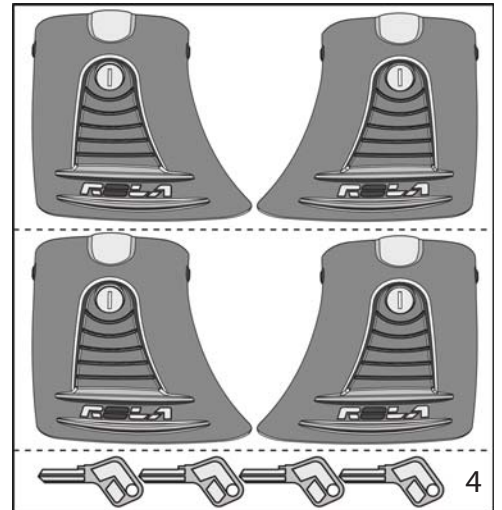
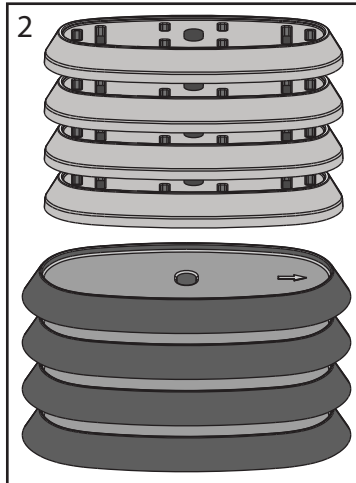


KIT COMPONENTS



PARTS LIST

- ① - 2 x BAR ASSEMBLIES INCLUDING:
2 x CROSS-BARS, 4 x END SUPPORTS
2 x BUFFER STRIPS, 4 x HINGES
- ② - 1 x KIT OF 4 END SUPPORT ADAPTERS & 4 RUBBER PADS
- ③ - 1 x KIT OF STRAPS AND HARDWARE
- ④ - 1 X KIT OF 4 COVERS AND LOCKS



Removing Anchor Point Covers

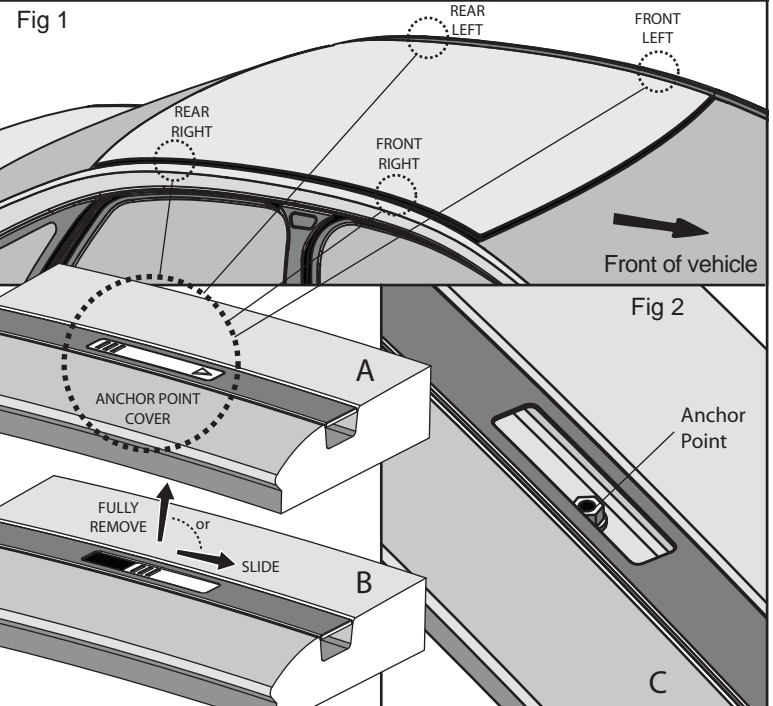
Prior to Assembly, check that your Roof Rack Box contains all the parts as listed above. Ensure the vehicle roof is clean and dry.

Please note, that some illustrations depicted in these instructions are only representative and your items may look different. Read these Instructions carefully before commencing. You will need a cutting blade/knife to cut the buffer strip to the required length (Step 11). You may want to use a protective cloth when installing your racks to protect the vehicle's roof from any dents and scratches.

1. On the vehicle you will find 4 Anchor Point Covers in the locations shown in (Fig 1 + Diagram A.) The removal method of these covers will differ from one vehicle to the next.

2. - Slide / Twist & Remove / Unclip & Remove - covers to reveal the anchor points. Refer to your vehicle Owner's Manual for further instruction. (Diagram B+C)
It is advisable to screw the Special Bolts supplied, into the anchor points at this time to ensure the thread path is un-obstructed.

⚠ If your anchor point covers are removable, store them in a safe place, whilst roof-racks are in use.
ie. Glove Compartment /Storage cavities within vehicle's trim.

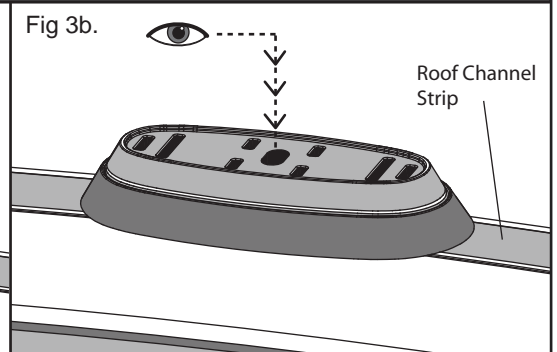
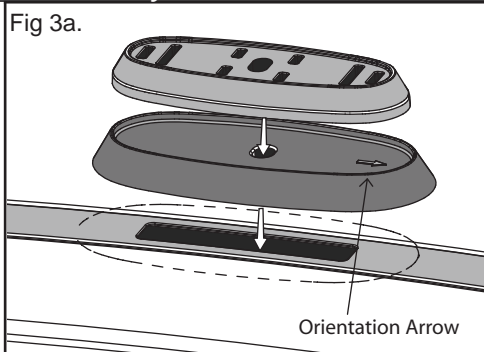


Fitting Crossbars and Adapter Set onto your vehicle

3. The End Support Adapters & Rubber Pads are a set. Place the Rubber Pads over the Anchor Point cavities. The Orientation Arrow on the Gasket is a guide to help with locating on vehicle. (Fig 3a)

Front Gaskets = Arrow facing front of vehicle.
Rear Gaskets = Arrow facing rear of vehicle.

4. The centre hole on the Adapter & pads set should visually line-up with the anchor point in your vehicle's roof channel.(Fig 3b.)



4. Your crossbars may differ in length. The longer cross-bar is identified with a "FRONT" sticker located on the underside of the cross-bar. Place the front and rear cross-bars onto their respective bases. (Fig 4a)
Make sure the End Supports and Adapters have fully engaged.

5. Visually align the following: End Support, End Support Adapter, Rubber Pad & Anchor Point. Feed the Special Bolt Supplied through holes and down into the Anchor Point.

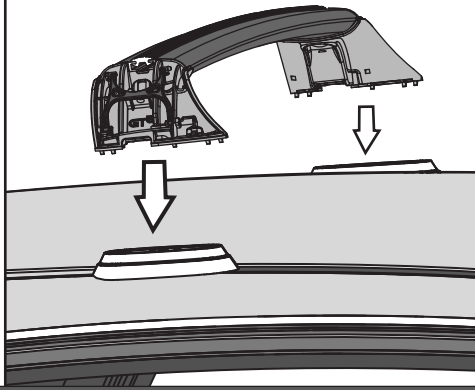
NOTE: Kit contains both M6 x 50mm & M6 x 55mm bolts. Please use bolt length which best suits your vehicle.

Using the Assembly 'L' Key supplied, tighten the bolt to fasten all parts together. (Fig 4b.)

A firm hand tightness is required. (Approximately 3-5 Nm)

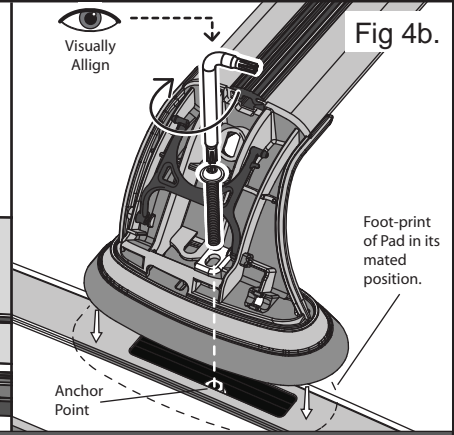
TIP: Whilst tensioning the parts, alternate from left to right hand sides to ensure even tension on both sides.

Fig 4a.



Visually Align

Fig 4b.



Mounting Cover onto End Support Chassis

6. Locate ends of hinge with cover mount holes. Flex hinge ends together and line up with cover mount holes. Push ends through holes until capped heads of hinge have entirely pushed through (Fig 5a).

7. Ensure hinge has been mounted correctly by pushing ends through until you hear an audible 'click' (Fig 5b).

8. Fully extend cover away from End-Support. Pivot cover on hinge whilst pushing top downwards until cover is held fixed (Fig 5c).

Fig 5a.

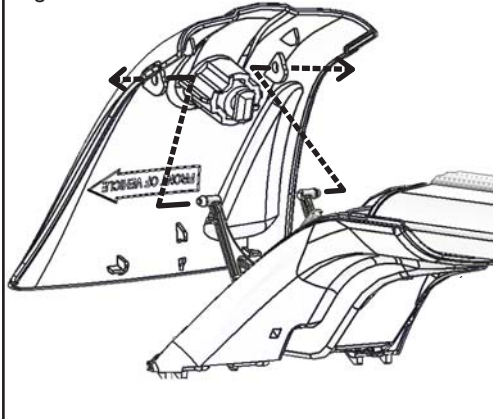


Fig 5b.

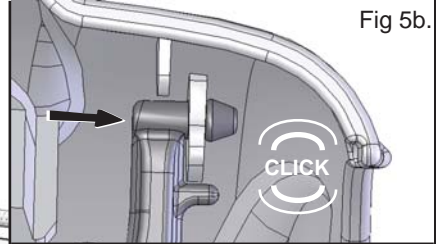
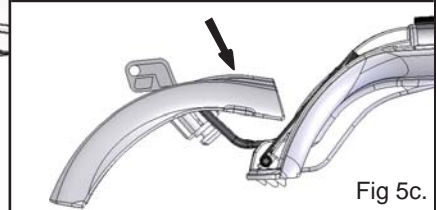


Fig 5c.



Locking End Supports & Mounting Accessories

9. You are now ready to mount your accessories, eg. Bike Carrier, Kayak carrier, etc. utilising the 'Global Channel' if applicable (Fig. 6a)
Be sure to cut the buffer strip to size to completely cover the channel once your accessory is fitted onto the crossbars.

10. Lock all 4 covers into place with key provided (Fig. 6b). Remove key and store in a safe place - eg. with car keys/glove box.

11. Ensure ALL End Support covers are pushed hard up against the End Support (Fig. 6c/6d). You should hear an audible 'click' when cover is fully engaged (Fig. 6d).

Fig 6a.

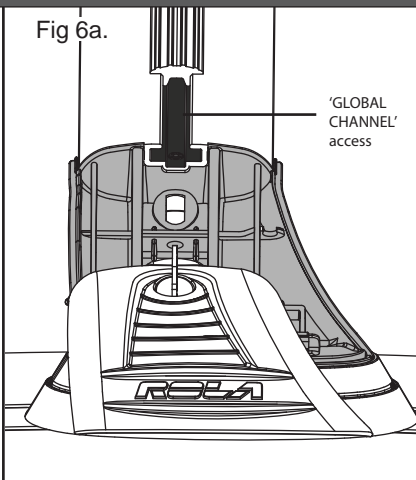
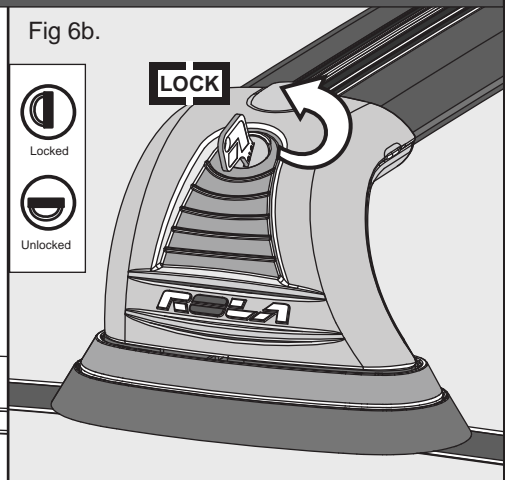


Fig 6b.



General Usage Information

• It is essential for the proper assembly, operation and use of the Roof Rack that the instructions and safety precautions supplied are strictly observed.

• The maximum permissible load for your Roof Bar is the lower of the maximum load capacity specified in your vehicle operation manual, or specified as applying to the Roof Rack. Do not exceed the maximum specified load capacity. Maximum permissible load = weight of the Roof Rack + weight of accessories + weight of load (cargo).

• When fitting the Roof Rack and transporting a load, ensure the vehicle's functions are not impaired (eg. sunroof, aerials, windscreen wipers, mirrors). Rear doors on Hatch- and Wagon-type vehicles should be inspected for adequate clearance for full opening operation of the boot/tailgate.

• Stop and check all screw connections, bolts and retaining straps after a short distance of travel. Repeat these checks at regular intervals.

Warnings

• Remember that the fitting of a Roof Rack and the transport of a load increases the overall height of the carrying vehicle.

• Where the Roof Rack is to be used in off-road conditions, a safety weight reduction of 1.5 should be observed from the total carrying capacity (eg 60kg becomes 40kg).

• Cequent will not be liable to the purchaser or any other person for any consequential, incidental, direct or indirect loss, damage or costs incurred or suffered by the purchaser or any other person including but not limited to damage to persons or property, loss of turnover, loss of profits, loss of business or goodwill, arising from or in relation to the assembly and use of the Roof Rack, or the non-observance of the fitting and care instructions.

Fig 6c.

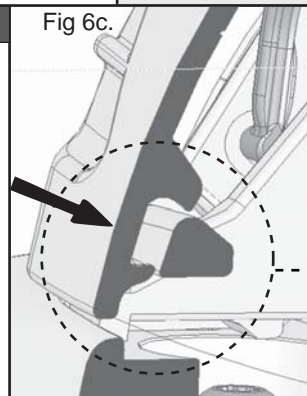


Fig 6d.

