

END SUPPORT (RIGHT) x2	END SUPPORT (LEFT) x2	TRACK CAP (CLOSED) x2	TRACK CAP (OPEN) x2	TRACK EXTRUSION x2	SNAP-ON COVER x4	SECURITY COVER x4	HEX NUT x4	SCREW x4	VARIES WITH LENGTH RIVETS	SECURITY BOLT x8	ASSEMBLY KEY x1	CROSS-BAR ASSEMBLY x2
<b>SOME FITMENTS MAY ALSO FEATURE THE FOLLOWING COMPONENTS:</b>				<b>Please Note:</b> You will require the following tools								
MOUNT PAD (RIGHT) x2	MOUNT PAD (LEFT) x2	SECURITY BOLT x4	BOLT COVER x4	Phillips Head Screwdriver	Rivet Gun	Rubber Mallet	Safety Knife	Lead Pencil	Tape Measure	Silicone Adhesive Sealant		

**ASSEMBLY OF CROSS-BARS**

1. Ensure the roof is clean, free from dust and grease.
  2. Insert the neck of the End-Support into the void of the Cross-bar profile. They are designed to be a tight fit: use a rubber mallet if necessary (Fig.1)
  3. Pull back the rubber Buffer Strip about 20mm until the screw hole can be accessed.(Fig. 2) Using a Phillips Head Screwdriver, fasten the screw through the cross-bar and into the End Support. Do this for all four sides and replace the buffer strip.
- NOTE:** The longer cross-bars are to be fitted to the front of the vehicle. Check labelling on the underside of the cross-bar.

**FITTING CROSS-BARS TO VEHICLE - REFER TO FIG. 3**

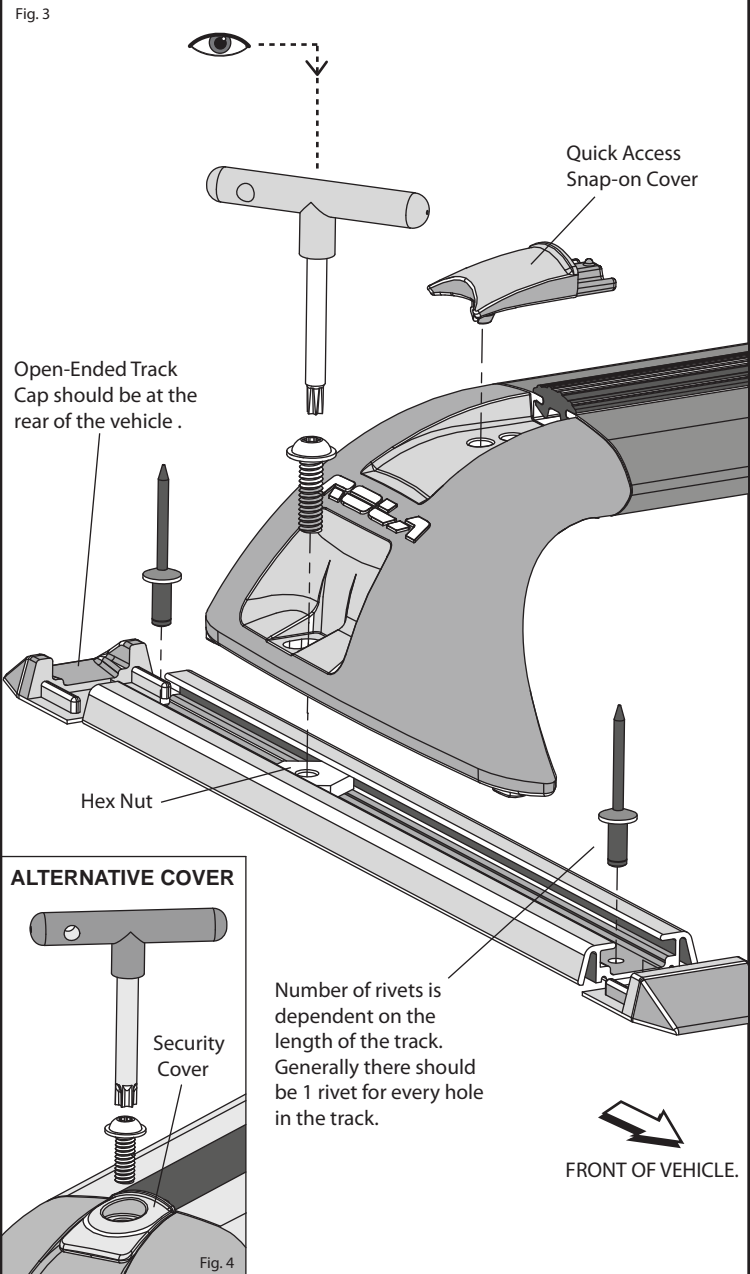
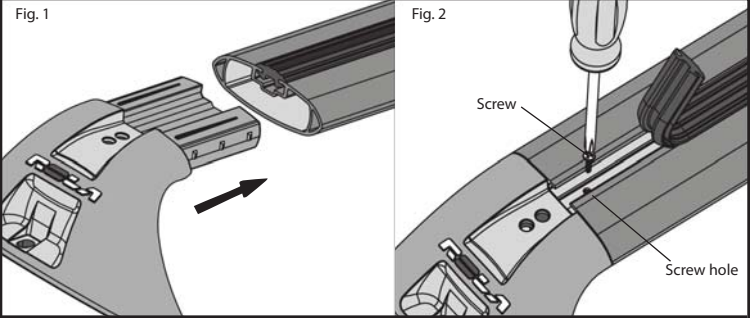
4. Slide the Hex Nuts along the Track. Place the cross-bar assemblies onto the track. position the End Supports equal distances from the end of the Track (approximately 20mm). Tightly fit the Security Screws through the End Support and into the Hex Nut.
5. Place complete assembly onto the roof (**Do not remove the Adhesive Backing Tape at this stage**). Loosen the Security Bolts and measure equal distances on either side and Front to Rear of tracks to ensure correct positioning.
6. Lightly mark positions of track and rivet holes on the roof using a soft-tip Lead Pencil. Proceed to tighten the security bolts again and remove the entire assembly off the roof.
7. Drill holes into the roof using a 5mm drill bit. The drill-bit should only penetrate the roof metal panel, hence a drill stop is recommended. Take care not to drill through the interior roof lining. Remove all metal swarf waste from the roof.
8. Apply a Silicone Adhesive Sealant (ie, Butyl Mastic/Neutral Cure Silicone) in and around holes. Next, remove the Adhesive Backing Tape from the underside of the Tracks and reposition the entire Roof-rack assembly onto the roof ensuring all holes are aligned. Loosen all Security Bolts.
9. Fit the End-caps to the tracks with the open cap onto the rear and the closed cap onto the front of the tracks. Fit the Rivets through the holes in the Track and through the drilled holes in the vehicle roof. Downwards pressure may be required onto the tracks whilst riveting them to ensure they remain fixed hard-up against the roof curvature.
10. Secure the Cross-bar assemblies in place fastening and tightening the security bolts through the End Supports and into the Hex Nuts in the tracks. A firm hand tightness is required.
11. You are now ready to mount your accessory set onto the cross-bars using the Global Mount Channel. Once installed, insert the 'Global Channel' Covers into the End Supports. You have a choice of 2 - (a) quick access snap-on cover or (b) long term mounting - security cover to cap off and lock the mount channel. (Fig. 4)

**FINAL CHECK**

Ensure that Cross-bars are parallel and square to the front and rear axis of the vehicle. After loading, check bolt tightness and ensure that Locking Straps are correctly engaged to the vehicle.

**CAUTION:**

When installing this roof rack ensure the rivets do not damage or inhibit the effective use of Curtain Airbags. If you are in any doubt regarding the installation of this roof rack, please consult with your vehicle manufacturer or Rola Dealer.



**General Usage Information**

It is essential for the proper assembly, operation and use of the Roof Rack that the instructions and safety precautions supplied are strictly observed. Read any fitting, care and usage instruction carefully.

The maximum permissible load for your Roof Bar is the lower of the maximum load capacity specified in your vehicle operation manual, or specified as applying to the Roof-Rack. Do not exceed the maximum specified load capacity.

Maximum permissible load = weight of the Roof Rack + weight of accessories + weight of load (cargo).

When fitting the Roof-Rack and transporting a load, ensure the vehicle's functions are not impaired (eg, sunroof, aerials, windscreen wipers, mirrors). Rear doors on Hatch- and Wagon-type vehicles should be inspected for adequate clearance for full opening operation of the boot/tailgate.

Stop and check all screw connections, bolts and retaining straps after a short distance of travel. Repeat these checks at regular intervals.

**Warnings**

Remember that the fitting of a Roof Rack and the transport of a load increases the overall height of the carrying vehicle.

Where the Roof-Rack is to be used in off-road conditions, a safety weight reduction of 1.5 should be observed from the total carrying capacity. (eg. 60kg becomes 40kg)

Cequent will not be liable to the purchaser or any other person for any consequential, incidental, direct or indirect loss, damage or costs incurred or suffered by the purchaser or any other person including but not limited to damage to persons or property, loss of turnover, loss of profits, loss of business or goodwill, arising from or in relation to the assembly and use of the Roof rack, or the non-observance of the fitting and care instructions.

**APPENDICES & ADDITIONAL 'FITMENT SPECIFIC' FITTING STEPS - IF REQUIRED**

This area has been intentionally left blank.