

END SUPPORT (RIGHT) x2	END SUPPORT (LEFT) x2	MOUNT PAD (RIGHT) x2 (REPRESENTATIVE ONLY)	MOUNT PAD (LEFT) x2 (REPRESENTATIVE ONLY)	SNAP-ON COVER x4	SECURITY COVER x4	STRAP BRACKET x4 (REPRESENTATIVE ONLY)	SCREW x4	SECURITY BOLT x4	SECURITY BOLT x4	ASSEMBLY KEY x1	CROSS-BAR ASSEMBLY x2

SOME FITMENTS MAY ALSO FEATURE THE FOLLOWING COMPONENTS:					<b>Please Note:</b> You will require the following tools Phillips Head Screwdriver Flat Head Screwdriver Rubber Mallet Safety Knife
	ANCHOR POINT BOLT x4	ALLEN KEY x1	BOTTOM STRAP BRACKET x4 (REPRESENTATIVE ONLY)	BOLT COVER x4	

### ASSEMBLY OF CROSS-BARS

- Ensure the roof is clean, free from dust and grease.
- Insert the neck of the End-Support into the void of the Cross-bar profile. They are designed to be a tight fit: use a rubber mallet if necessary (Fig.1)
- Pull back the rubber Buffer Strip about 20mm until the screw hole can be accessed.(Fig. 2) Using a Phillips Head Screwdriver, fasten the screw through the cross-bar and into the End Support. Do this for all four sides and replace the buffer strip.  
**NOTE:** The longer cross-bars are to be fitted to the front of the vehicle. Check labelling on the underside of the cross-bar.

### FITTING CROSS-BARS TO VEHICLE

- Identify your Strap Brackets and Mount Pads using the identification markings on them (if applicable) - refer to Fig 3  
Position your Mount Pads onto the roof in the positions as specified in (Fig 4). Place the Cross-bar assemblies (Front & Rear) in their respective positions onto the pads.
- Next, open all 4 vehicle doors and leave them ajar whilst mounting and fastening the strap brackets. Ensuring the strap brackets correspond with their position on the vehicle, proceed to fasten the Front Right Strap brackets through the End Support using the security bolt provided. (Fig. 5) The Strap Bracket should intimately cup around the vehicle roof body in the door under-hang area.
- Go around to the left side of the car and lift up the Cross-bar Assy away from the Mount Pad and roof body of the car. (Refer to Fig. 8)  
Next, ① attach the Strap Bracket into the End Support using the security bolt - whilst still holding the Cross-bar Assy away from the roof.

- As you bring the Cross-bar Assy and connected strap down onto the vehicle roof body ②, gently flex the strap outwards to clear the roof body and locate in its intended position ③ - cupping the door underhang.

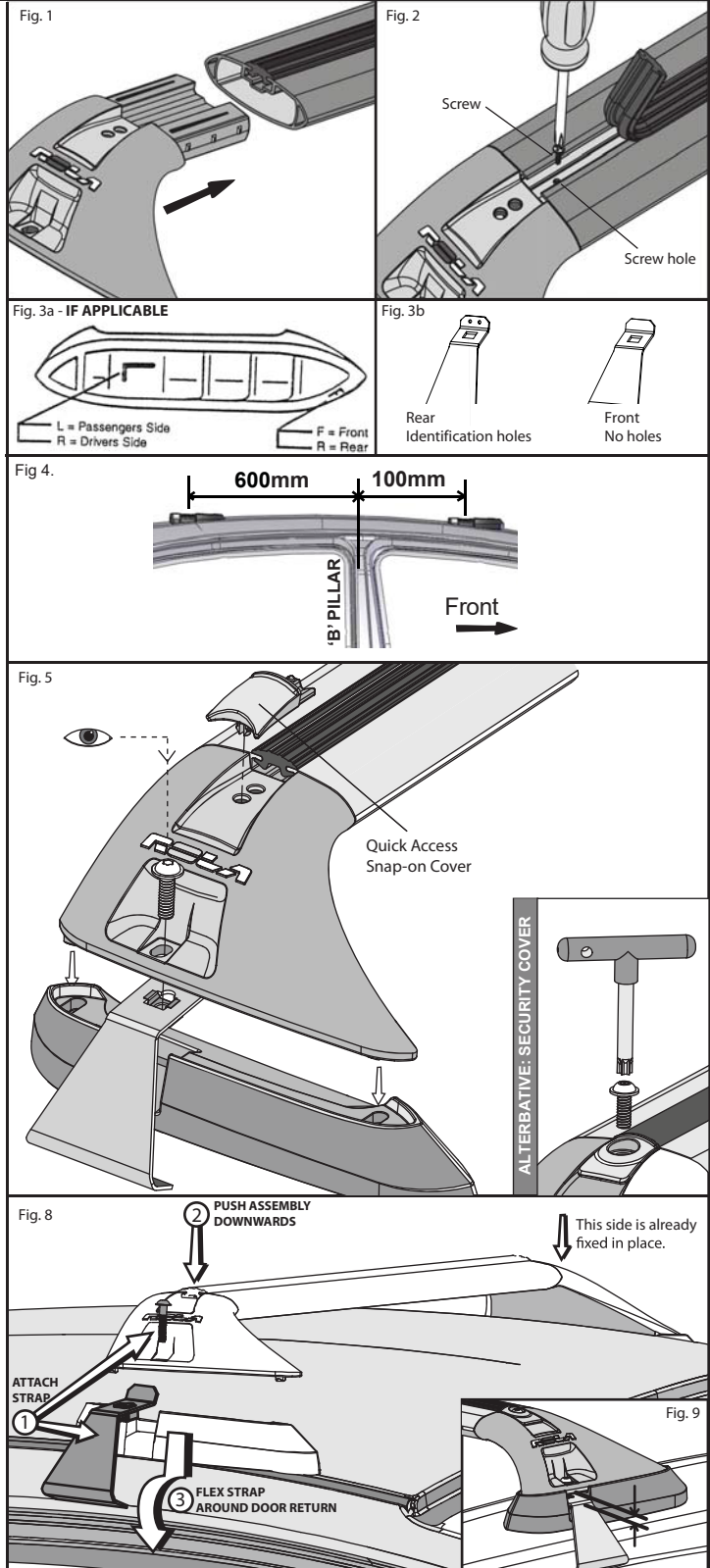
- Do not to flex the brackets forcefully as to prevent permanently deforming the strap bracket profile.
- Please be careful as not to scratch/damage the paint when installing the strap brackets.

- Tighten the Strap Brackets via the Security Bolts whilst pushing the straps hard up against the vehicle body. Alternate sides whilst tightening for even retention across both sides.

- Proceed to follow steps 5 to 8 when mounting the Rear Cross-bar Assy.

- You are now ready to mount your "Accessories" set onto the cross-bars using the Global Mount Channel. Once installed, insert the 'Global Channel' Covers into the End Supports.

Note: You have a choice of 2 - (a) quick access snap-on cover or (b) long term mounting - security cover to cap off and lock the mount channel. (Fig. 6)



**General Usage Information**

It is essential for the proper assembly, operation and use of the Roof Rack that the instructions and safety precautions supplied are strictly observed. Read any fitting, care and usage instruction carefully.

The maximum permissible load for your Roof Bar is the lower of the maximum load capacity specified in your vehicle operation manual, or specified as applying to the Roof-Rack. Do not exceed the maximum specified load capacity.

Maximum permissible load = weight of the Roof Rack + weight of accessories + weight of load (cargo).

When fitting the Roof-Rack and transporting a load, ensure the vehicle's functions are not impaired (eg, sunroof, aerials, windscreen wipers, mirrors). Rear doors on Hatch- and Wagon-type vehicles should be inspected for adequate clearance for full opening operation of the boot/tailgate.

Stop and check all screw connections, bolts and retaining straps after a short distance of travel. Repeat these checks at regular intervals.

**Warnings**

Remember that the fitting of a Roof Rack and the transport of a load increases the overall height of the carrying vehicle.

Where the Roof-Rack is to be used in off-road conditions, a safety weight reduction of 1.5 should be observed from the total carrying capacity. (eg. 60kg becomes 40kg)

Cequent will not be liable to the purchaser or any other person for any consequential, incidental, direct or indirect loss, damage or costs incurred or suffered by the purchaser or any other person including but not limited to damage to persons or property, loss of turnover, loss of profits, loss of business or goodwill, arising from or in relation to the assembly and use of the Roof rack, or the non-observance of the fitting and care instructions.

**APPENDICES & ADDITIONAL 'FITMENT SPECIFIC' FITTING STEPS - IF REQUIRED**

This area has been intentionally left blank.