



## FITTING INSTRUCTIONS



PRODUCT :

# ELITE REAR BAR WITH SIDE PROTECTION

VEHICLE MODEL :

## MAZDA BT-50 2020

PRODUCT PART NUMBER :

PK204MA20E

FITTING TIME :

Approx. 1 hours 45 minutes

**TABLE OF CONTENTS**

Page

Tools Required	5
Part List	5
Component Overview	7
Toque Setting of Fastener	7
Fitting Procedure	8

**TOW BAR SAFETY NOTICE :**

INSTALLATION SHOULD ONLY BE DONE BY APPROPRIATELY QUALIFIED OR EXPERIENCED PERSONS IN ACCORDANCE WITH THESE INSTRUCTIONS.

IT IS THE RESPONSIBILITY OF THE INSTALLER TO ENSURE THAT THE PRODUCT IS CORRECTLY FITTED.

**WARNING:**

Do not attach the tow bar to the vehicle using fasteners other than provided.

Do not use this product for any vehicle make or model, other than those specified.

Do not remove the plaque or label from the tow bar.

Do not modify the structure of the tow bar in any way.

This product has been produced to provide continued functionality of parking sensors and other "driver assist" features as closely as possible to Original Equipment. However, as all possible road conditions and combination of other accessories fitted to the vehicle which may affect functionality characteristics cannot be anticipated, **the driver remains responsible at all times for properly controlling the vehicle, monitoring all "driver assist" features and intervening where required to ensure the vehicle is safely operated.**

This product is for towing purposes only. Exceeding the specified towing capacity of the vehicle is dangerous and can void vehicle warranties. Please always refer to the vehicle owner's manual or the manufacturer for towing capacity specifications.

**IMPORTANT INFORMATION :**

Before installing the product :

Check that all components, as listed in the assembly table, are available.

Thoroughly read all instructions.

This product or its fasteners must not be modified in any way.

These instructions are accurate as at the revision date and do not take into account any changes made by the vehicle manufacturer to vehicle design after the revision date or other accessories that are or have been fitted to the vehicle. PIAK cannot be held responsible for such changes and appropriate enquiries should be made before installation.

Before installing, inspecting and/or maintaining the products, the work space should be safe and clear of fuel, debris, electrical or other components.

During installation :

It is the responsibility of the installer to confirm correct operation/clearance of all components. All holes drilled shall have all burrs and swarf removed then coated with a suitable rust preventative paint.

Ensure that all hardware is fastened to torque list as detailed in these instructions.

**MAINTENANCE AND CARE :**

To ensure continued safety and correct operation of the product, the product must be routinely inspected and regularly serviced (including bolt torque checked for correct tension) by an appropriately qualified or experienced person. Pull Pins and "R" clips must be regularly checked for proper installation. Replace any worn or defective parts.

Tow ball mounts, tongues or lugs should be removed when not actually towing so as to produce an unobscured view of the vehicles registration plate, and to also provide maximum available departure angle.

It is recommended that the tongue, Pull Pin and R-clip are removed when not towing and stored in a safe, clean and dry place.

PIAK recommends that you check your tow ball to ensure that it complies with the Australian Standard AS 4177.2.

**EQUIPMENT :**

These safety products should, at a minimum, be used when fitting or working on the product.



Protective Glasses



Hearing Protection

**Installation in accordance with these instructions and adherence to warnings will ensure compliance with relevant regulatory and safety standards as at the revision date.**

**Failure to adhere to these instructions may affect the roadworthiness of the vehicle or cause personal injury, death or damage to property.**

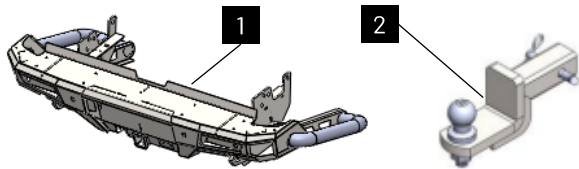
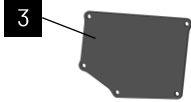
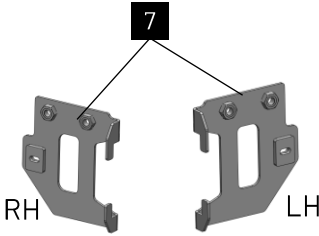
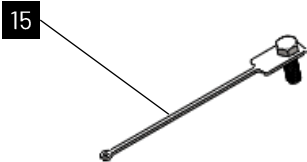
**BY USING THIS PRODUCT YOU ACKNOWLEDGE AND AGREE THAT TO THE EXTENT PERMITTED BY LAW PIAK WILL NOT ACCEPT LEGAL OR OTHER LIABILITY FOR ANY LOSS, INJURY OR DAMAGE CAUSED BY INCORRECT OR INAPPROPRIATE INSTALLATION OR USE OF THE PRODUCT.**

**TOOLS REQUIRED**

- 1.Metric Socket and Spanners
- 2.Torque wrench
- 3.Test lamp or multi-meter
- 4.Marking pen
- 5.Phillip and flat head screw driver
- 6. cutter

**PART LIST**

Important : Check contents of fitting kit before commencing fitment and report any discrepancies.

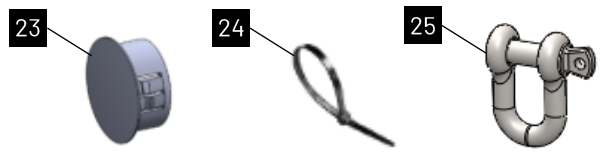
ELITE REAR BAR			
ITEM	COMPONENT NAME	Q'ty	Remarks
1	Elite Rear Bar With Side Protection	1	
2	TBM PK004	1	
FITTING KIT RADAR COVER PLATE			
ITEM	COMPONENT NAME	Q'ty	Remarks
3	Radar cover plate	2	
4	Button Head Bolt M5x0.8x15	10	
5	Flat Washer M5	20	
6	Flange Nut M5x0.8	10	
FITTING KIT RADAR BRACKET			
ITEM	COMPONENT NAME	Q'ty	Remarks
7	Radar bracket L/R	2	
8	Button Head Bolt M5x0.8x20	2	
9	Spring Washer M5	2	
10	Flat Washer M5	4	
11	Flange Nut M5x0.8	2	
12	Hex Bolt M8x1.25x20	4	
13	Spring Washer M8	4	
14	Flat Washer M8	4	
FITTING KIT MOUNTING			
ITEM	COMPONENT NAME	Q'ty	Remarks
15	Bolt plate M12x1.5x35	4	
16	Nut plate M12x1.5	2	
17	Hex Bolt M12x1.5x35	2	
18	Hex Bolt M12x1.25x35	6	
19	Spring Washer M12	12	

**PART LIST**

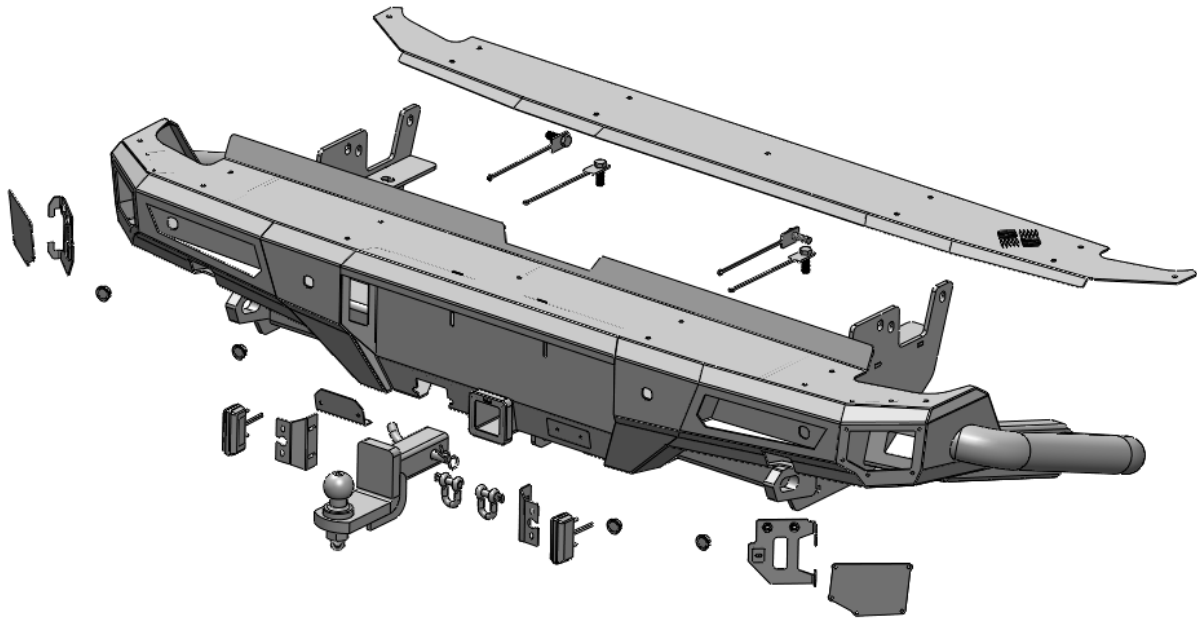
**FITTING KIT MOUNTING**

ITEM	COMPONENT NAME	Q'ty	Remarks
20	Flat Washer M12 OD24	2	
21	Flat Washer M12	10	
22	Hex nut M12x1.5	4	

**ACCESSORIES**

ITEM	COMPONENT NAME	Q'ty	Remarks
23	Sensor blanking plugs	4	
24	Cable Tie (L=150 mm)	6	
25	Shackle 3/8	2	

**COMPONENTS OVERVIEW**



**TORQUE SETTING OF FASTENER**

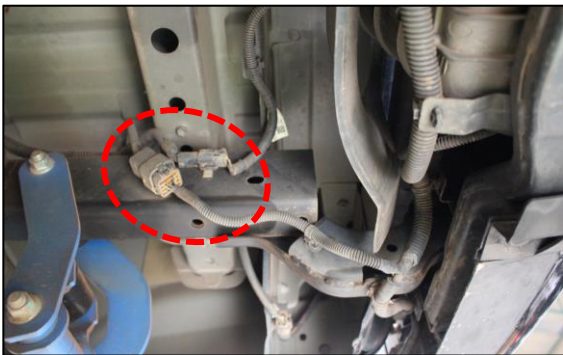
Mounting bolts must be tightened to torque's specified following ;

Bolt Diameter (mm.)	Class 8.8		Class 10.9	
	Torque ( Nm. )	Torque ( ft-lb. )	Torque ( Nm. )	Torque ( ft-lb. )
M6	10.5	7.7	15	11.1
M8	25.5	18.8	36.5	26.9
M10	50.5	37.2	72.2	53.3
M12	88	64.9	126	92.9
M14	140	103	200	148

**FITTING PROCEDURE**



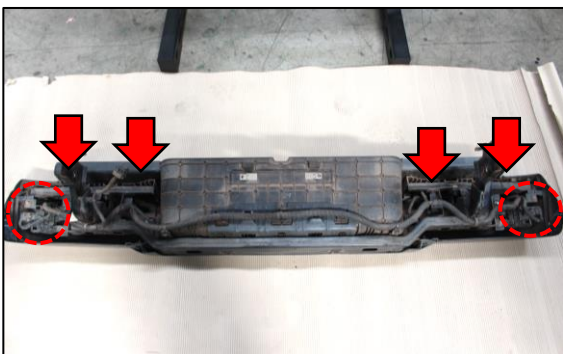
**1** Locate the vehicle in a suitable position.



**2** Unplug the wires looms coming from behind the bumper bar.



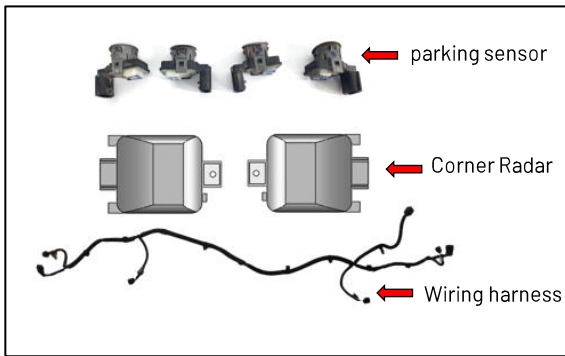
**3** Remove the original bumper from vehicle.



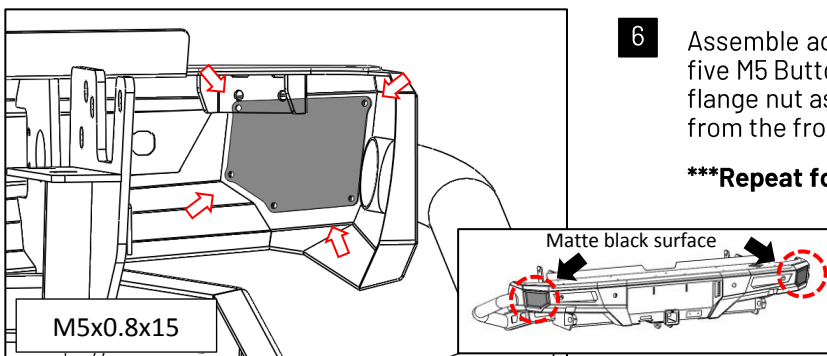
**4** Remove Wiring harness ,parking sensors and Corner Radar form OE rear bumper, mark position and keep it for refitment.



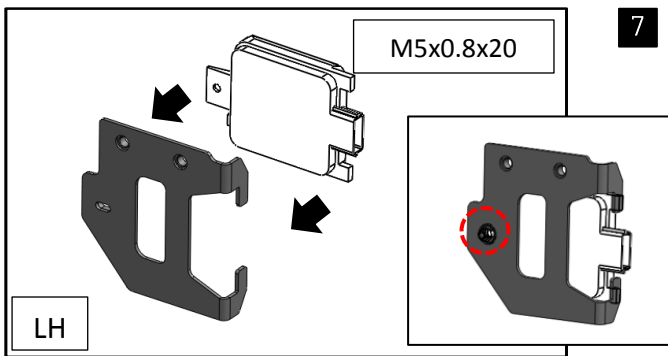
**FITTING PROCEDURE**



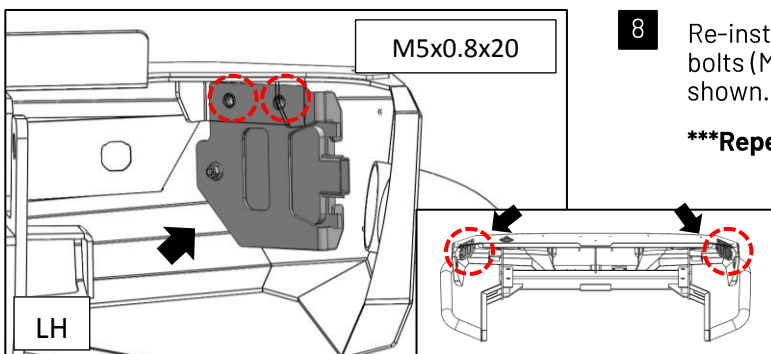
- 5** -Parking sensor  
-Corner Radar  
-Wiring harness



- 6** Assemble acrylic sheet onto the rear bumpers secure by five M5 Button Head Bolt (M5x0.8x15), flat washer and M6 flange nut as shown. Take out the Matte black surface from the front
- \*\*\*Repeat for the opposite side.\*\*\***

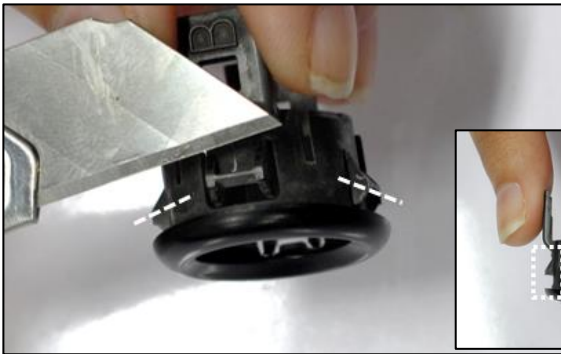


- 7** Assemble radar to radar bracket by secure Bottom head M5 bolt (M5x0.8x20), spring washer, flange nut and flat washer.
- \*\*\*Repeat for the opposite side.\*\*\***

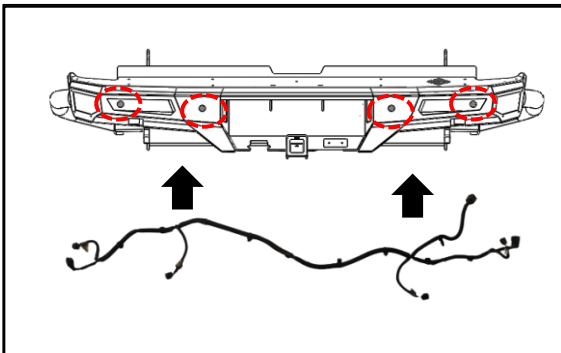
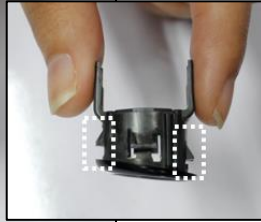


- 8** Re-install radar to rear bumper by secure with two M8 bolts (M8x1.25x20), spring, flat washer and flange nuts as shown.
- \*\*\*Repeat for the opposite side.\*\*\***

**FITTING PROCEDURE**



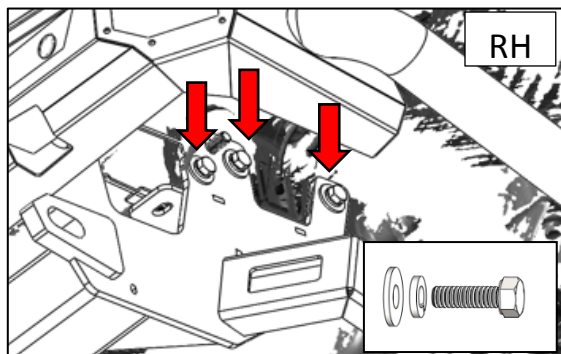
**9** Cut the clip lock of sensor bracket as shown and make sure after cut clip lock sensor bracket it can refit to the rear bumper.as shown.



**10** Re-install parking sensor to the rear bumper as shown.  
Re-install wiring harness connect parking sensor and corner radar.



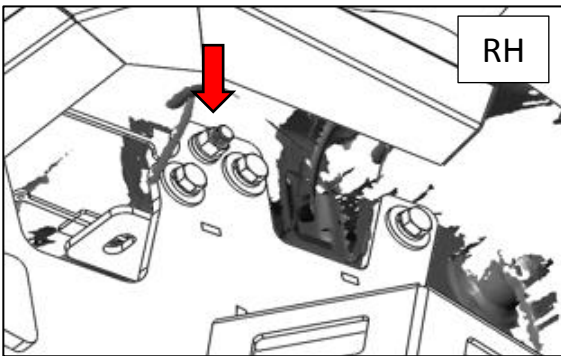
**11** Lift the rear bumper onto the chassis of vehicle.



**12** Secure by three M12 bolts (M12x1.25x35), three M12 spring washers and three flat washers M12 OD33 as shown.

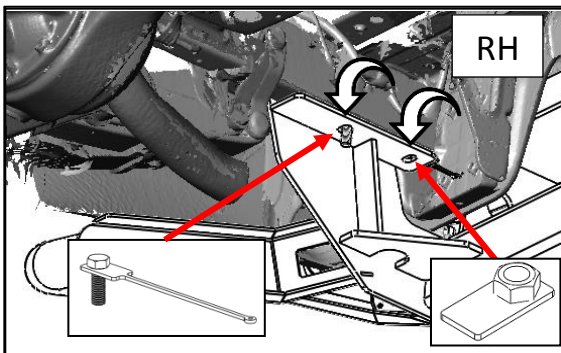
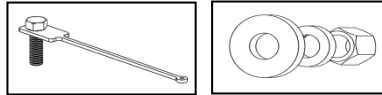
**\*\*\*Repeat for the opposite side.\*\*\***

**FITTING PROCEDURE**



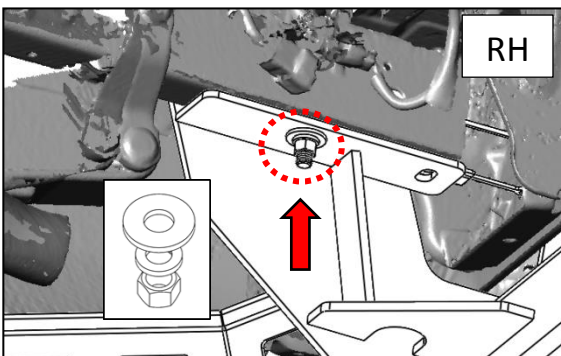
**13** Secure by bolt plate, spring washers M12, flat washers M12 OD22 and hex nut M12x1.5 as shown.

**\*\*\*Repeat for the opposite side.\*\*\***



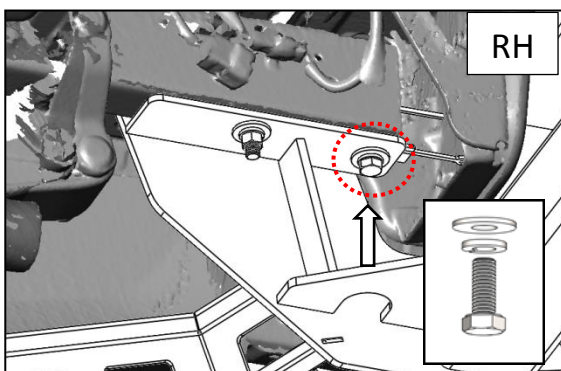
**14** Input bolt plate and nut plate to chassis and rear bumper as shown.

**\*\*\*Repeat for the opposite side.\*\*\***



**15** Secure by M12 flat washer, M12 spring washer and hex nut M12x1.5 as shown.

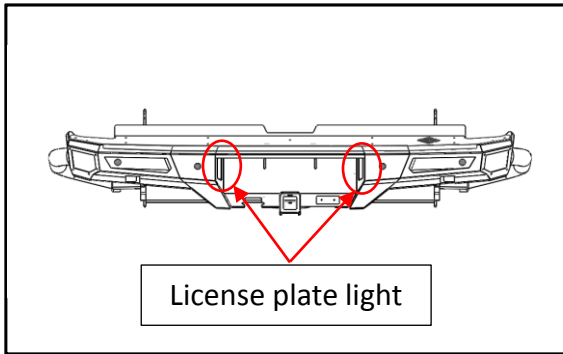
**\*\*\*Repeat for the opposite side.\*\*\***



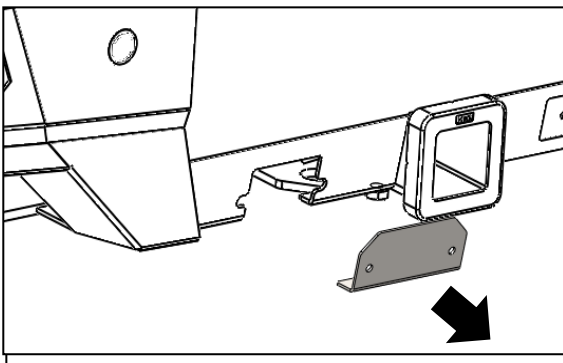
**16** Secure by M12 hex bolt (M12x1.5x35), spring washer and flat washer.

**\*\*\*Repeat for the opposite side.\*\*\***

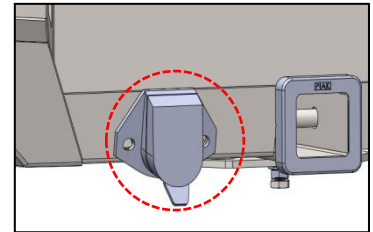
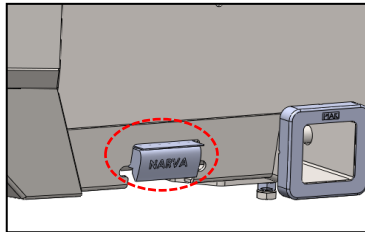
**FITTING PROCEDURE**



**17** Connect the license plate light to the vehicle.



**18** Location for installing trailer plug the position as shown .





**FITTING PROCEDURE**

