



# HOOP BAR

## FITTING INSTRUCTIONS



# FORD RANGER RAPTOR

## 2018-2021

### PKB-HBMB-FRR18E

**Fitting Time : approx. 30 minute.**



## **SAFETY NOTICE:**

INSTALLATION SHOULD ONLY BE DONE BY APPROPRIATELY QUALIFIED OR EXPERIENCED PERSONS  
IN ACCORDANCE WITH THESE INSTRUCTIONS.

IT IS THE RESPONSIBILITY OF THE INSTALLER TO ENSURE THAT THE PRODUCT IS CORRECTLY FITTED.

## **WARNING:**

Do not use this product for any vehicle make or model, other than those specified by the PIAK manufacturer.  
Do not remove the plaque or label from the PIAK Products.  
Do not modify the structure of the PIAK Products in any way.

## **IMPORTANT INFORMATION:**

Before installing the PIAK Products:

Check that all components, as listed in the assembly table, are available.

Thoroughly read all instructions.

This product or its fasteners must not be modified in any way.

These instructions are accurate as at the revision date and do not take into account any changes made by the vehicle manufacturer to vehicle design after the revision date or other accessories that are or have been fitted to the vehicle. PIAK cannot be held responsible for such changes and appropriate enquiries should be made before installation.

Before installing, inspecting and/or maintaining the PIAK Products, the work space should be safe and clear of fuel, debris, electrical or other components.

During installation:

It is the responsibility of the installer to confirm correct operation/clearance of all components.

All holes drilled shall have all burrs and swarf removed then coated with a suitable rust preventative paint.

Ensure that all hardware is fastened to torque list as detailed in these instructions.

## **MAINTENANCE AND CARE:**

To ensure continued safety and correct operation of the PIAK Products. It must be routinely inspected and regularly serviced (including bolt torque checked for correct tension) by an appropriately qualified or experienced person.

The high tensile fasteners supplied with this product were used to achieve the specified rating. If replacement of the fasteners is required, fasteners of the same rating and quality must be used.

**EQUIPMENT:**

These safety products should, at a minimum, be used when fitting or working on the product.



Protective Glasses



Hearing Protection

**Installation in accordance with these instructions and adherence to warnings will ensure compliance with relevant regulatory and safety standards as at the revision date.**

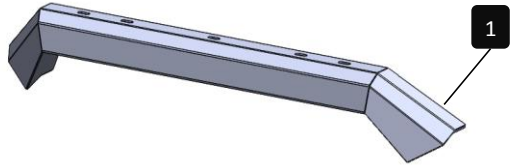
**BY USING THIS PRODUCT YOU ACKNOWLEDGE AND AGREE THAT TO THE EXTENT PERMITTED BY LAW PIAK WILL NOT ACCEPT LEGAL OR OTHER LIABILITY FOR ANY LOSS, INJURY OR DAMAGE CAUSED BY INCORRECT OR INAPPROPRIATE INSTALLATION OR USE OF THE PRODUCT.**

## TOOLS REQUIRED

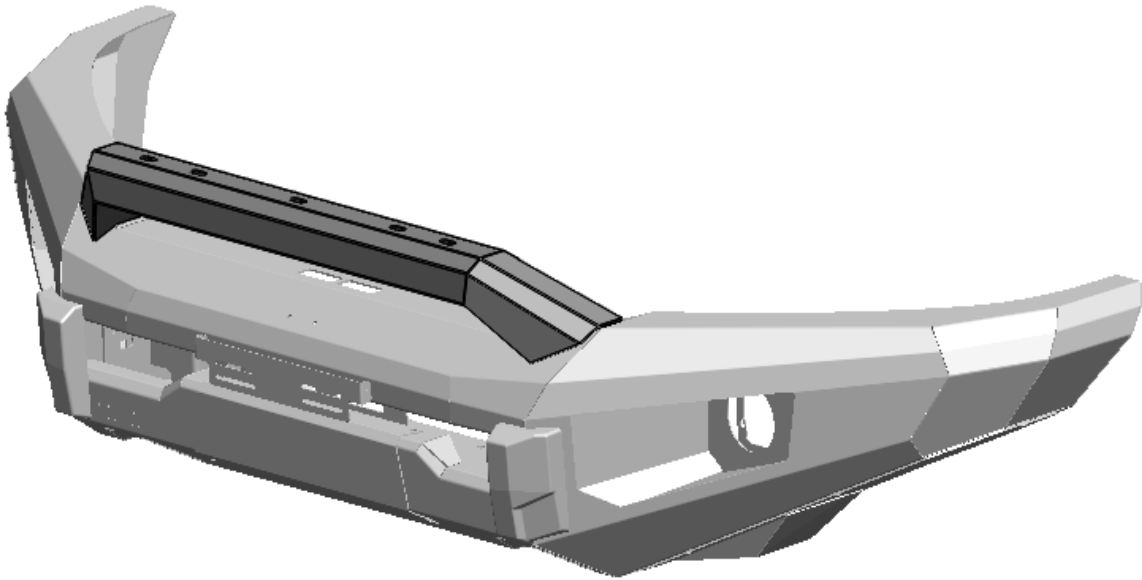
1. Metric socket and spanners
2. Torque wrench
3. Phillips and flat head screw driver
4. Masking Tape

## PARTS LIST

 **Important :** Check contents of fitting kit before commencing fitment and report any discrepancies.

Components			
Item	Component Name	Q'ty	Remarks
1	Hoop Bar	1	
2	Hex Bolt M10x1.5x30	4	
3	Flat Washer M10	4	
4	Spring Washer M10	4	

## COMPONENTS OVERVIEW

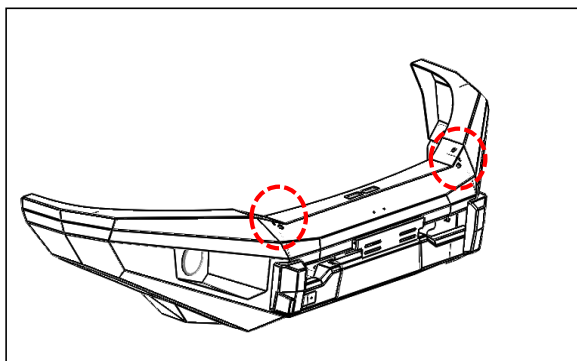


## TORQUE SETTING OF FASTENER

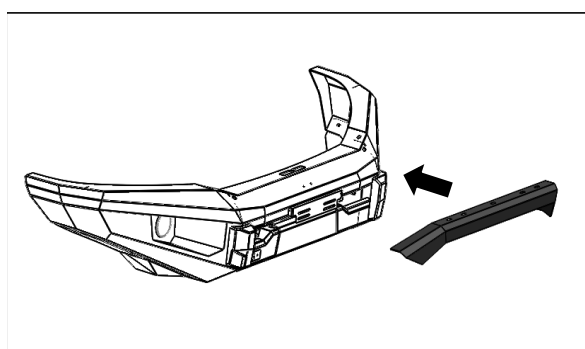
Mounting bolts must be tightened to torque's specified following ;

Bolt Diameter (mm.)	Class 8.8		Class 10.9	
	Torque ( Nm. )	Torque ( ft-lb. )	Torque ( Nm. )	Torque ( ft-lb. )
<b>M6</b>	10.5	7.7	15	11.1
<b>M8</b>	25.5	18.8	36.5	26.9
<b>M10</b>	50.5	37.2	72.2	53.3
<b>M12</b>	88	64.9	126	92.9
<b>M14</b>	140	103	200	148

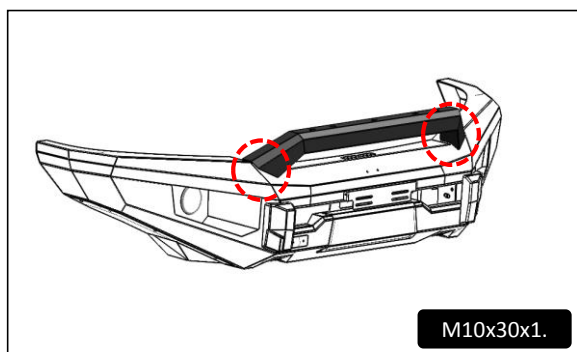
## FITTING PROCEDURE



**1** Locate the Bar to the suitable area.



**2** Secure the Hoop bar to the bull bar .



**3** using four M10 hex bolts, Spring Washer and Flat Washer .

Tighten bolts to the correct torque.

## FITTING PROCEDURE

