

Installation Guide

Front Strut Mount Bushing

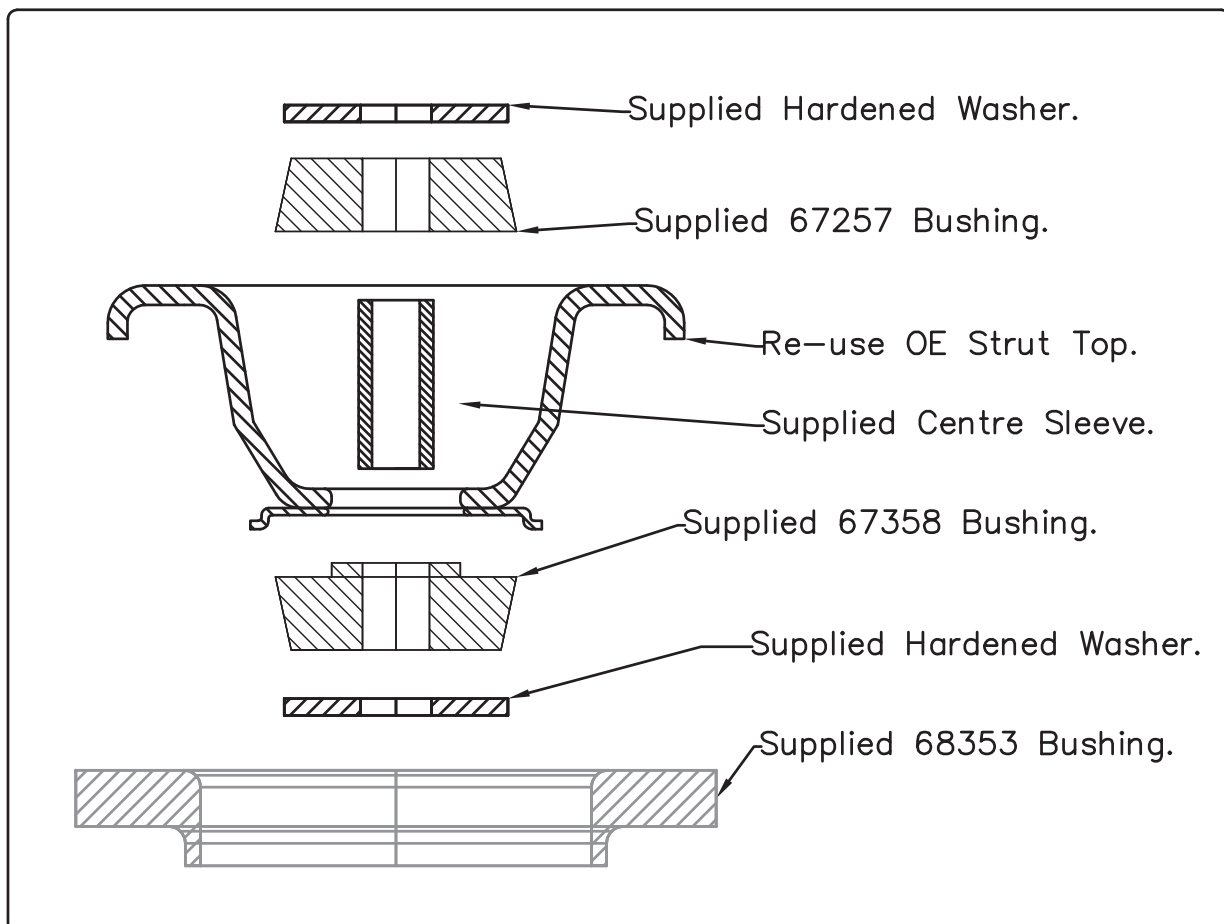
Suits : Mitsubishi Triton MN, ML. 2WD/4WD 3/06–on.

: Mitsubishi L200 ML, MN 2WD/4WD 4/07–on.

: Mitsubishi Challenger PB 4/07–on.

(Always refer to the current catalogue for complete application listings).

N.B. This install guide should be used in conjunction with the workshop manual.



N.B. It is recommended that a licenced workshop or trades person carry out the above procedure and that workshop manual and relevant safety procedures are followed in addition to the above.