

Instructions

Front Control Arm Rear Bushing - Caster Improvement

Note - This instruction sheet should be used in conjunction with the workshop manual and proper safety procedures followed.

Application - Hyundai Excel
- X3 1994-1999

(Refer current catalogue for complete listing)

Contents - Bushing 1197 x1
- Bushing 1197A x1
- Steel tube 24x18.5x52mm
- Grease

- Raise vehicle evenly and safely support.

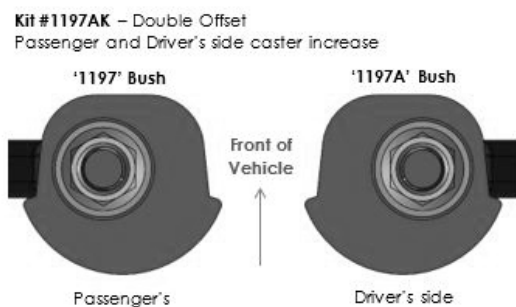
Never rely on a Jack only

- Proceed to remove front wheels - and un-bolt front control arms.
- Un-bolt and remove the rear rubber bushing.

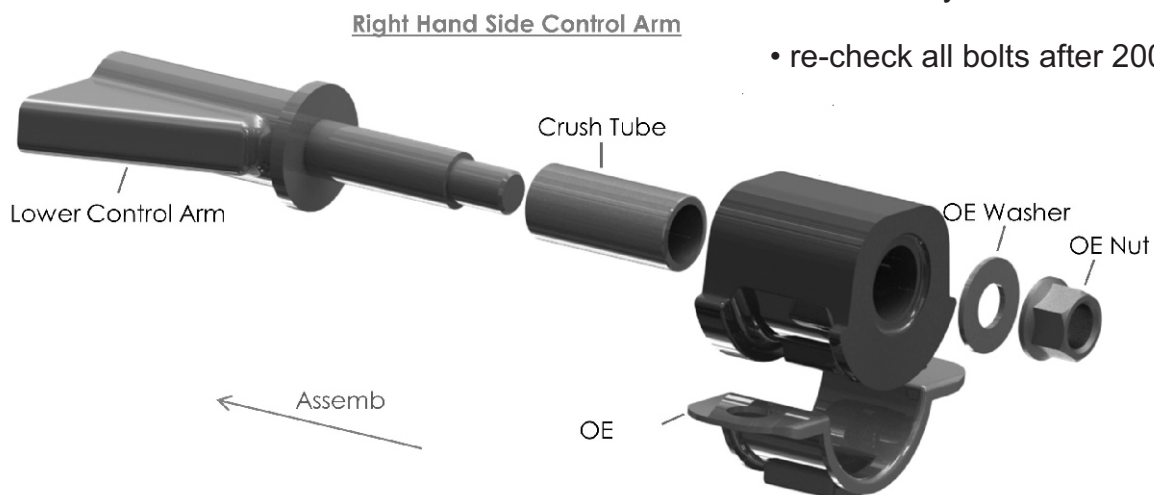
Check front bushing condition whilst arm is out

- Refer Rh diagram - instal new bushings 1197 and 1197A.
- Grease bushing internal diameter with supplied grease only.

Note - thick flange faces front of vehicle.



- Re-fit arm to vehicle - with original bolts.
- A wheel alignment will be required immediately after install.
- re-check all bolts after 200kms



It is recommended that a licenced workshop or tradesperson carry out the above procedure and that workshop manual and relevant safety procedures are followed in addition to the above.