

Installation Guide

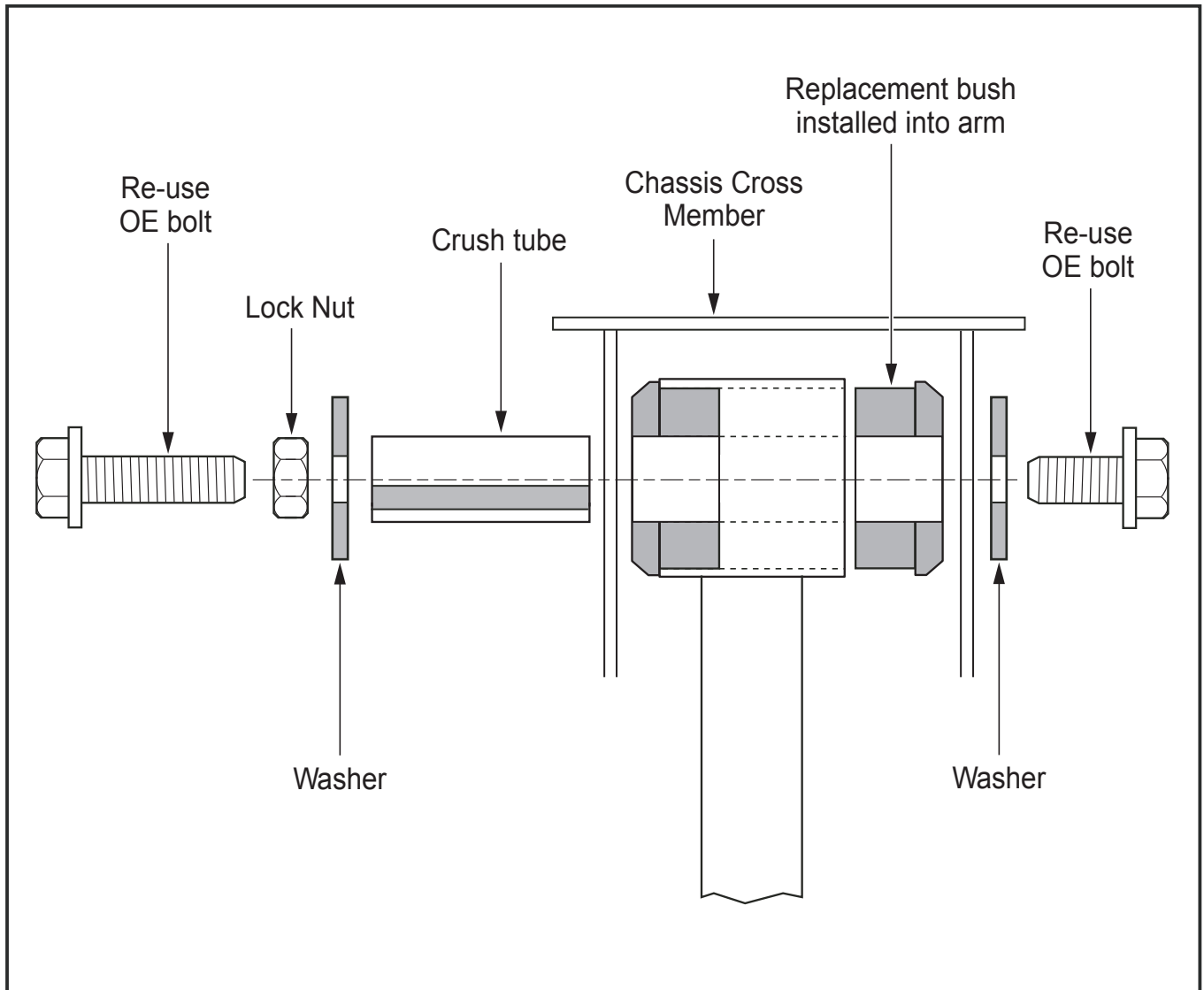
Rear Upper Camber Arm Adjustable Bush

50-6274

Suits: Honda Accord Euro CG 97 on

(Always refer to the current catalogue for complete application listings)

N.B: This installation guide should be used in conjunction with the workshop manual.
All fastener torque settings should be adhered to.
It is recommended that a wheel alignment is carried out after fitment.



N.B: It is recommended that a licenced workshop or trades person carry out the above procedure and that workshop manual and relevant safety procedures are followed in addition to the above.

Instructions

Front Control Arm Upper Inner

N.B: This instruction sheet should be used in conjunction with the workshop manual and proper safety procedures followed.

It is suggested a wheel alignment is carried out prior to disassemble

Application - Honda Accord Euro
(Refer current catalogue listing)

Contents - 4x steel shell bushings
4x offset steel tubes
Grease

1. Raise vehicle evenly and safely support.
2. Proceed to remove front wheels and un-bolt upper control arm.

Note - measure bushing distances for easy re-install - image below

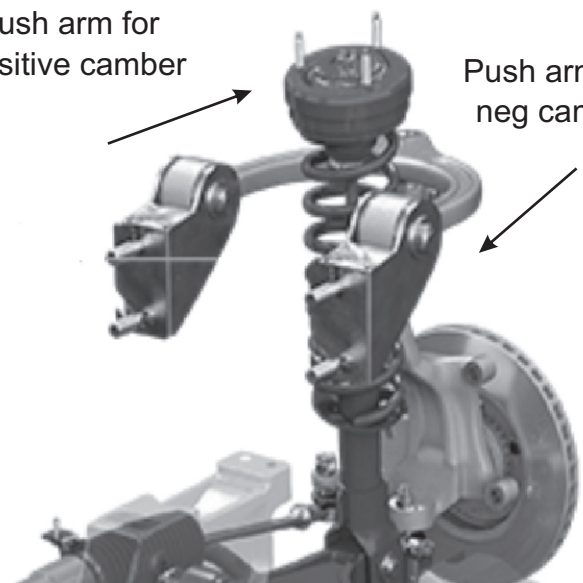
3. Press out old bushings including outer steel shell.
4. Press in new supplied bushings - careful to properly support the A arm.
5. Grease bushings ID and face with supplied grease only.
6. Insert supplied steel tubes in desired position.
7. Re-fit arm to vehicle, carry out a wheel alignment immediately after install.
8. Re-check all bolts after 100kms travelled.

Measure distance between bushing faces for easy re-install.



Push arm for positive camber

Push arm for neg camber



N.B: It is recommended that a licenced workshop or tradesperson carry out the above procedure and that workshop manual and relevant safety procedures are followed in addition to the above.