

Installation Guide

Front Lower Control Arm - Front Bush

Suits: SX - SY Ford Territory

Z 5048

(Always refer to the current catalogue for complete application listings)

N.B: This installation guide should be used in conjunction with the workshop manual.

1. Raise the front of the vehicle and support on chassis stands, remove the front wheels.
2. Remove the front radius arm front retaining bolt and rear ball joint retaining nut.
3. Using a suitable ball joint removal tool remove the arm from the ball joint and then the vehicle.
4. With the arm removed and before removing the OE bush use a suitable marking pen and mark the TOP position using the OE centre crush tube slot as the LEVEL position (as per Fig.1). At this stage also mark the horizontal LEVEL position (as per Fig.1).
5. Push out the OE bush and inspect the eyelet for pitting, rust or existing damage and clean, repair or replace as necessary.
6. Using the previously marked positions on the arm eyelet (step 2, Fig.1) correctly TIME and press the supplied replacement bush into the eyelet until the shell flange contacts the arm (as per Figs.2 and 3).

NOTE: the flange face of the bush must face the centre of the vehicle when correctly installed.

7. Grease the centre bore, flange faces and chassis contact points then install the supplied offset crush tubes correctly into the bush (as per Fig.4)

NOTE: The offset tube **MUST** be correctly positioned horizontally to the road surface when the retaining bolt is tensioned or wheel alignment specifications will not be achieved.

(REFER TO FIG.4)

8. Refit all removed components and tension to manufacturers specifications.
9. Refit wheels, lower the vehicle and road test. At this time we recommend a wheel alignment be completed. It is advisable to check settings and tighten all fittings after 100km but no more than 200km.

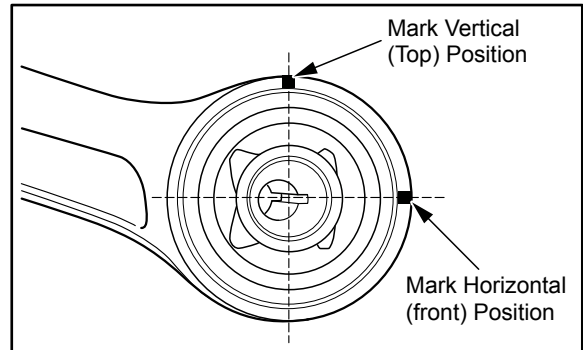


Fig.1

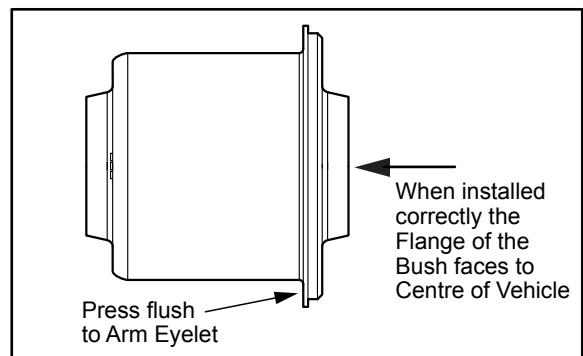


Fig.2

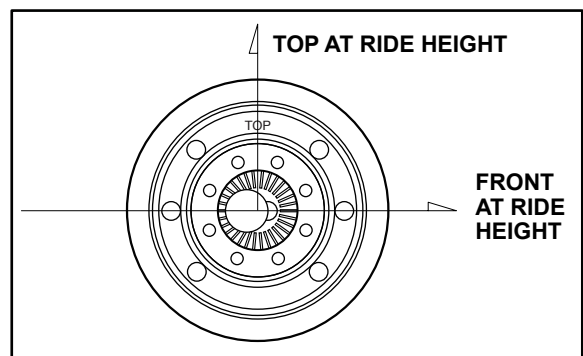


Fig.3

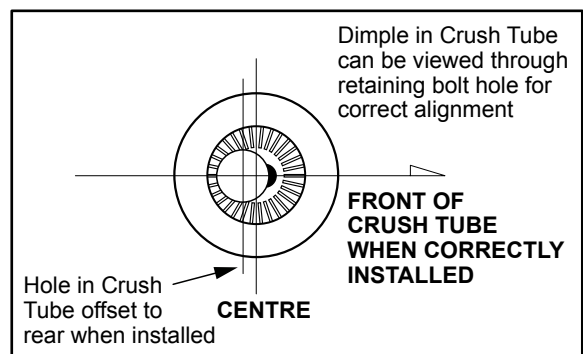


Fig.4

N.B: It is recommended that a licenced workshop or trades person carry out the above procedure and that workshop manual and relevant safety procedures are followed in addition to the above.