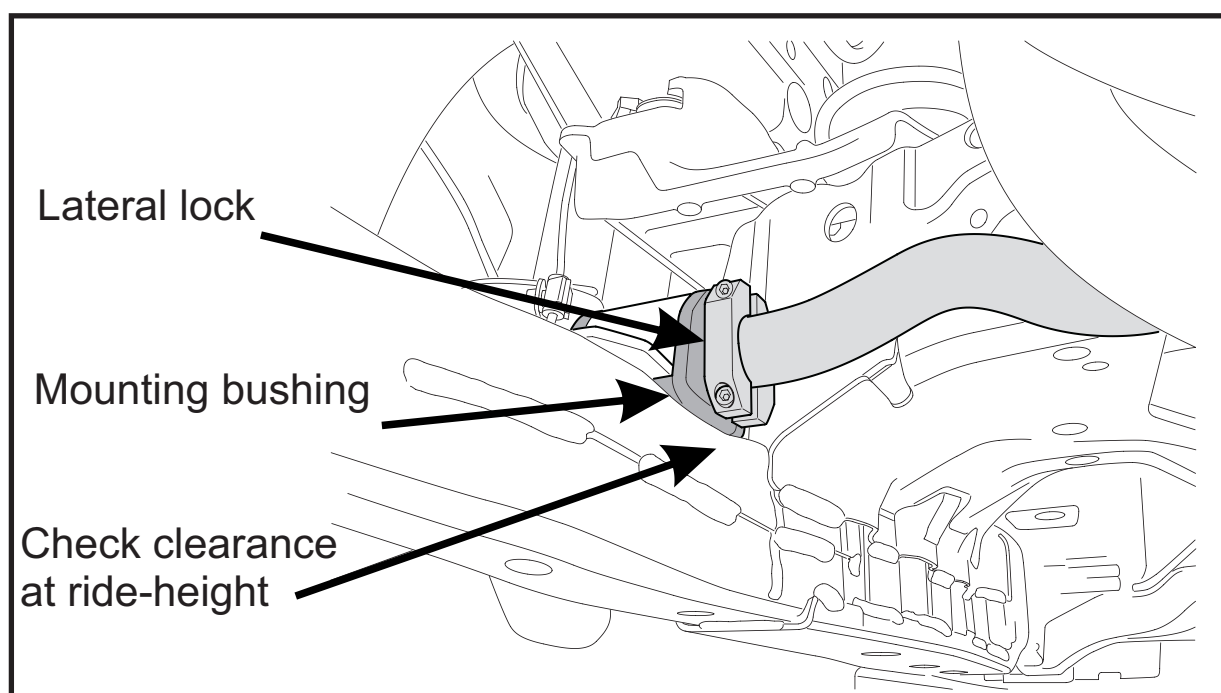


Alloy Lateral Lock Kit

Alloy Lateral Locks are designed to centralize your swaybar during operation



Confirm your Swaybar is central with links attached - this is best performed at ride-height.

Loosely bolt Lateral Locks next to the mounting bushing (leave approx 3-4mm gap). This can be either side of the mounting bushing but must maintain that both locks are fitted to identical positions LH and RH sides (both outside or both inside).

Check for clearance on full droop and full bump - the rotation of the lateral lock along the axis of the bar may foul other suspension components during rotation.

Tighten the Lateral Lock bolts down evenly and use mild force to secure. Careful to not over tighten.

Re-check Lateral Lock position after initial 100kms travelled.

Instructions

Rear Swaybar Kit

N.B: This instruction sheet should be used in conjunction with the workshop manual and proper safety procedures followed.

Page 1 of 2

- Raise vehicle evenly and safely support.

Never rely on a Jack only

- Start by bolting up link plate, using supplied M8 bolt with welded rod. And existing flange bolt in pic below.

Note - drilling 2x M8 holes is required on some models (for the rear M8 nut/bolt)

Application - VW Amarok
- 4WD

Always refer complete catalogue listing

Contents - 24mm swaybar
- D mount bushing x2
- D mount saddle x2
- Axle bracket x2
- U-bolts x2
- U-bolt flange nuts x4
- U-bolt washers x4

- Link bracket x2
- M8 bolt with welded rod
- M8 flange nut

- Swaybar links x2
- Link bolts x4
- Link nuts x4
- Link washers 32mm OD x4
- Link washers 20mm OD x4
- Grease
- Lateral Locks

OE flange bolt.

Supplied M8 bolt and flange nut



Cut welded rod after install.



N.B: It is recommended that a licenced workshop or tradesperson carry out the above procedure and that workshop manual and relevant safety procedures are followed in addition to the above.

Instructions

Rear Swaybar Kit

N.B: This instruction sheet should be used in conjunction with the workshop manual and proper safety procedures followed.

Page 2 of 2

Continued;

- Bolt up supplied link to link bracket - refer RH image.
Grease bushing face's with supplied grease only.

Note - 32mm washer sits on bushing face.
20mm washer sits on swaybar blade and link bracket.

Note - alternative holes for swaybar rate adjustment



- Grease D bushing internal bore with supplied grease only.

Using U-bolt, axle bracket and saddle, bolt up as per RH image - with flange nuts and washers.

Moderately tighten these nuts - then re-check after 100kms

Centralize the swaybar, then bolt up supplied lateral locks as per image.

