

Install Guide

Tail Shaft - Centre bearing Spacer Kit

Note - this kit is designed to improve drive-line performance (reduce vibration) on lifted vehicles 40mm +

Application - Ford Ranger 2022-on
- LDV T60 2021-on

(Always refer current catalogue listing)

- Raise vehicle evenly and safely support with a hoist or stands.

Never rely on a Jack only

Contents - 2x M10x1.5x50mm Bolts
- 2x flat washers
- 2x spring washers
- 2x 4mm spacers
- 4x 8mm spacers

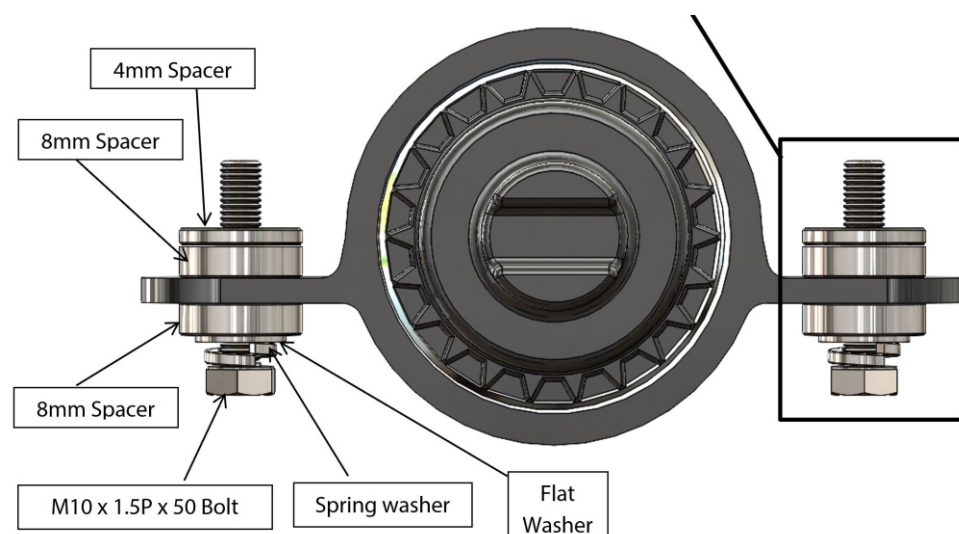
- Proceed to loosen and remove the original centre bearing bolts.
- Bolt up centre bearing with new hardware. Refer below diagram for base line / initial set up.

Generic image



1x 4mm and 8mm spacer on top - and 1x 8mm spacer on the bottom.

- Loctite is recommended on the new bolts.
- Road test vehicle. Adjustment may be required.
- Re-check bolts after 200kms



Note: These components must be fitted by a qualified person only, as per the manufacturers service manual. Also, that all relevant safety procedures are followed in addition to above.