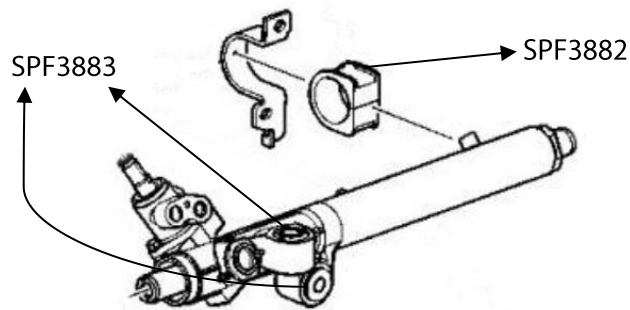


Fitting Instructions #3882IS

Hummer H3 WAGON

Steering Rack & Pinion Mount Bushing

Left Hand Drive Shown



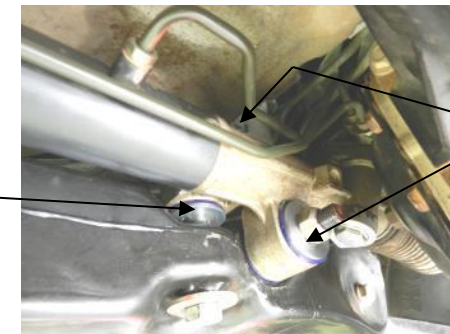
This Kit can be installed without removing the Steering Rack from the vehicle, for best results it is recommended that the Steering Rack be removed to aid installation;

All safe working procedures must be performed to maintain safe working conditions. I.e. Hoist & support vehicle on the appropriate chassis jack stands and all personal protective equipment must be worn.

- With the rack removed or pulled away from the chassis, remove the worn original bushings from the steering rack mount housings and clean housing areas to remove any old original bushing materials.
- Install the ½ bushings into the drivers-side housing mounts, Install the steel crush tubes into the bushings using a hand press, large multi grips or similar tools.
- Install the passenger-side “D” Bushing and retaining bracket.
- Install the rack into the chassis taking care that the supporting steel washers are installed into the correct positions.

Note: The washers are different thicknesses. (Photo below shows correct fitment of washers)

1 x Thinner Washer
(47x16x2mm)
Must be installed to the bottom of bushing as shown.



2 x Thicker Washers
(48x16x4mm)
Must be installed to the outside of bushings as shown.

- Tighten all mounting bolts and nuts to the manufactures torque specifications.
- Wheel-align vehicle to ensure correct alignment.