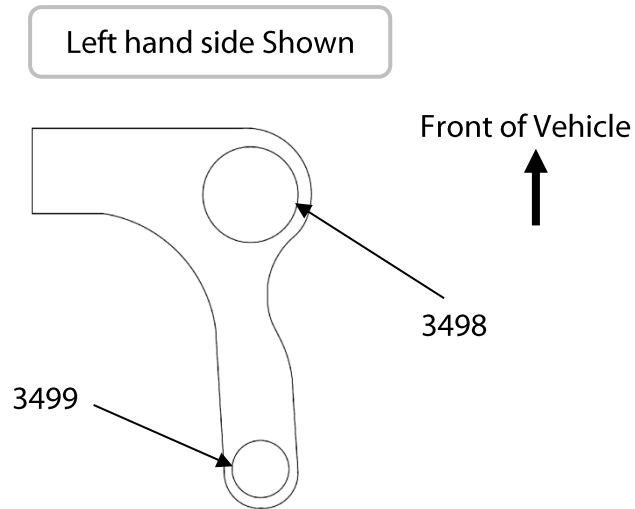


Fitting Instructions #3498IS

Proton Satria

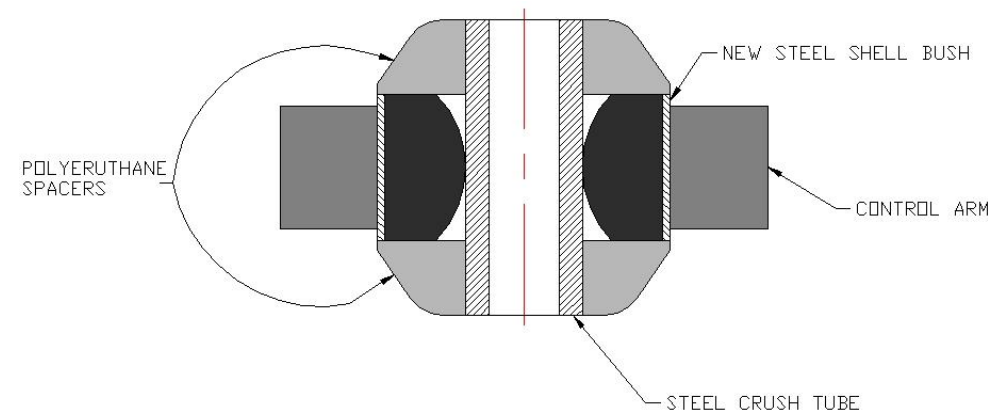
Front lower control arm, inner rear bushing



- Push the new polyurethane bushing into the housing;
- Apply the white grease supplied to the bore of the bush, the outside of the crush tube and the inside of the polyurethane spacers;
- With reference to the diagram below, push the crush tube into the bushing and fit the polyurethane spacers;
- Refit the control arm to the vehicle. Tighten all bolts to manufactures torque settings.
- Carry out wheel alignment.

Note: Polyurethane bushings must be fitted to both sides of the vehicle.

- Wheel-align the vehicle before the job is started and note settings;
- Jack the vehicle up and support on jack stands;
- Remove the lower control arms;
- Remove original shell part from the housing with the use of a hydraulic press and suitable pressing tools;
- Push the new polyurethane bushing into the housing;



Note the orientation of the Spacer Washers.