

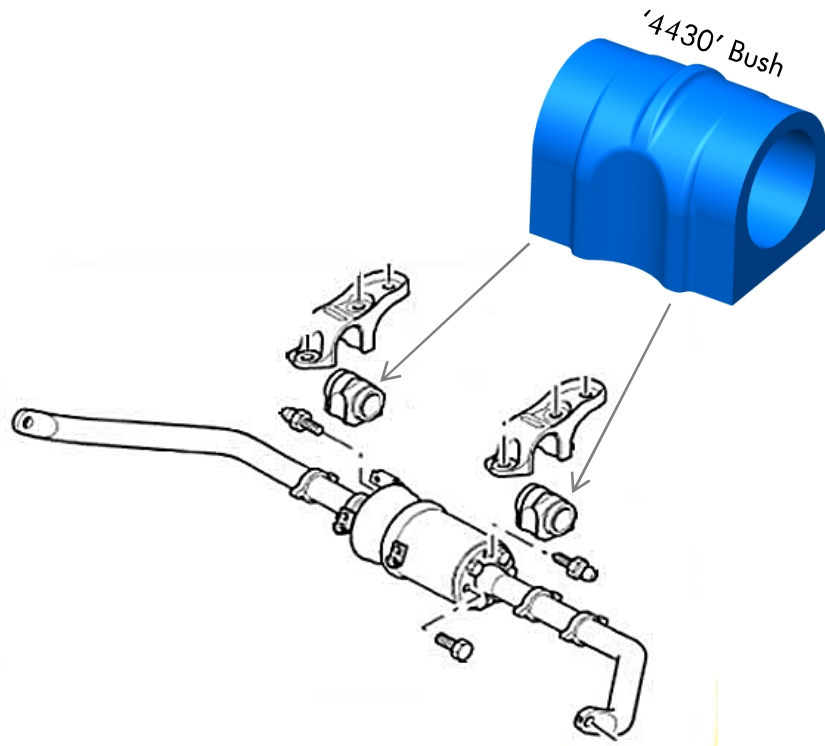
Fitting Instructions #4430IS

Range Rover

Front Sway Bar Mount Bushing

Superpro
Suspension Parts

- With the vehicle on jack stands/hoist, remove the sway bar brackets;
- Note the position of the original bushes and remove them, cleaning any left bush material;
- Apply the supplied grease on the inner and outer surfaces of the new SuperPro '4430' bushes and install them;
- Refit the brackets and tighten all the bolts to the manufacturer's torque settings.



Fitting Instructions #4430IS

Range Rover

Front Sway Bar Mount Bushing

Superpro
Suspension Parts

- With the vehicle on jack stands/hoist, remove the sway bar brackets;
- Note the position of the original bushes and remove them, cleaning any left bush material;
- Apply the supplied grease on the inner and outer surfaces of the new SuperPro '4430' bushes and install them;
- Refit the brackets and tighten all the bolts to the manufacturer's torque settings.

