

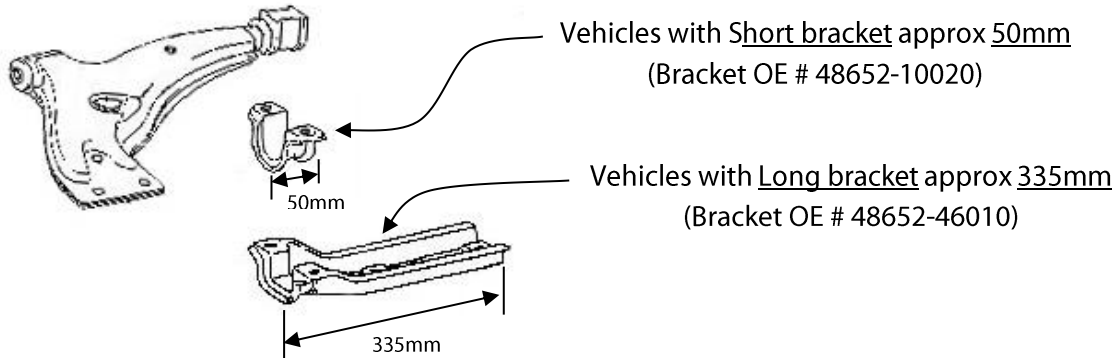
Fitting Instructions #1906IS

Toyota Corolla, Starlet

Control Arm Lower Inner Rear Kit



Special Note: This Vehicle series can have different rear mounting brackets. Please insure that you have the correct kit for your vehicle. The diagram below shows the different rear mounting brackets and the correct kit part numbers.



This kit requires the original equipment steel inner tube to be re-used.

Only the rubber part of the bush is to be removed by the following procedure.

Note: This procedure must be carried out in a well-ventilated area.

- Using an Oxy-acetylene torch heat the inner tube from both sides to destroy the bond between the tube and the bush;
- The bush can then be removed by sliding it off the pin as per photo;
- Further heating of the tube will clean its surface of any remaining rubber (Care must be taken not to overheat the tube);
- The surfaces can then be buffed using a wire-wheel or emery paper;
- Apply grease to the outside of the tube, the inside of the bush and the touching face of the washers;
- Then grease the outside of the bush and the inside of the bracket before bolting up to chassis.

