

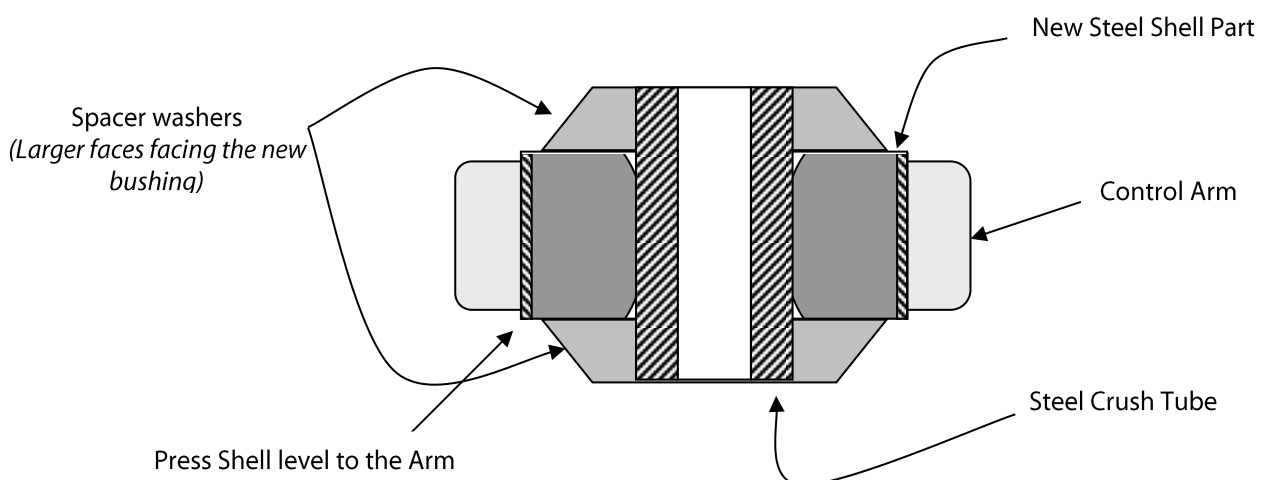
Fitting Instructions #3588IS

Toyota Alphard / Toyota Corolla / Toyota Rav4

Front Lower Control Arm Rear Bushing

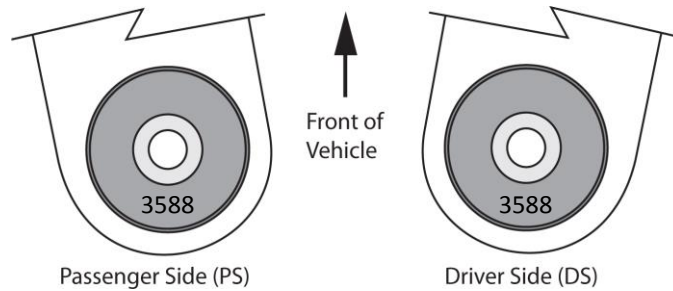
Note: Polyurethane bushes must be fitted to both sides of the vehicle.

- Wheel align the vehicle before the job is started and note castor settings;
- Remove the control arms from the vehicle;
- Remove original shell part from the control arms with the use of a hydraulic press and suitable pressing tools;
- Press the new steel shell parts into the control arms. The new steel shell should be level with lower side of the control arm;
- If installing an offset kit see diagram for orientation;
- Using the grease supplied, generously lubricate the outside of the steel crush tube and the inside of the new polyurethane shell parts;
- Push the steel crush tubes into the new bushings, a hand press may be required to insert the steel tube, as there can be significant crush;
- Grease the faces of the spacer washers, and push them onto the tubes. The spacers are to be arranged as depicted in the diagram below (Larger face of spacers must face the new bushing);
- Refit the control arms with the new bushes and washers into the vehicle;
- Wheel align vehicle and check new settings.
- All mounting bolts are to be torque to manufactures specifications with the vehicle at ride height.



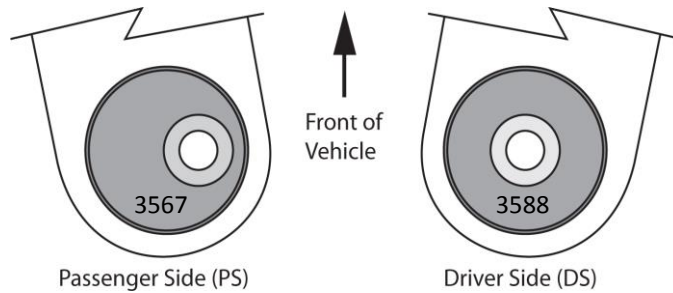
Note: the orientation of the Spacer Washers.

Kit #3588K – Standard Replacement (No caster change)



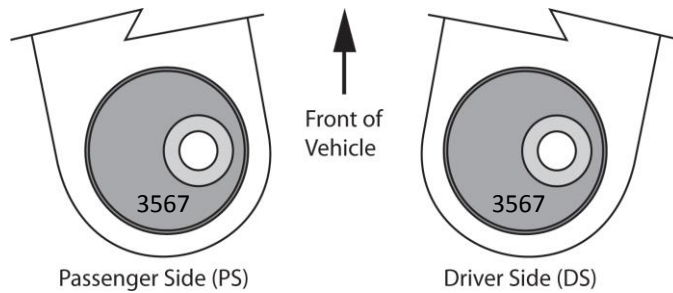
Kit #3866K – to counteract a slight pull to the left

Single Offset – (passenger side 0.5 deg. castor increase & drivers side no castor change)



Kit #3867K – to counteract a strong pull to the left

Double Offset – (passenger side increase and driver side decrease castor 1 deg. overall change)



Kit #3867K – Performance settings

Double Offset – (passenger and driver side increase castor – 1 deg.)

