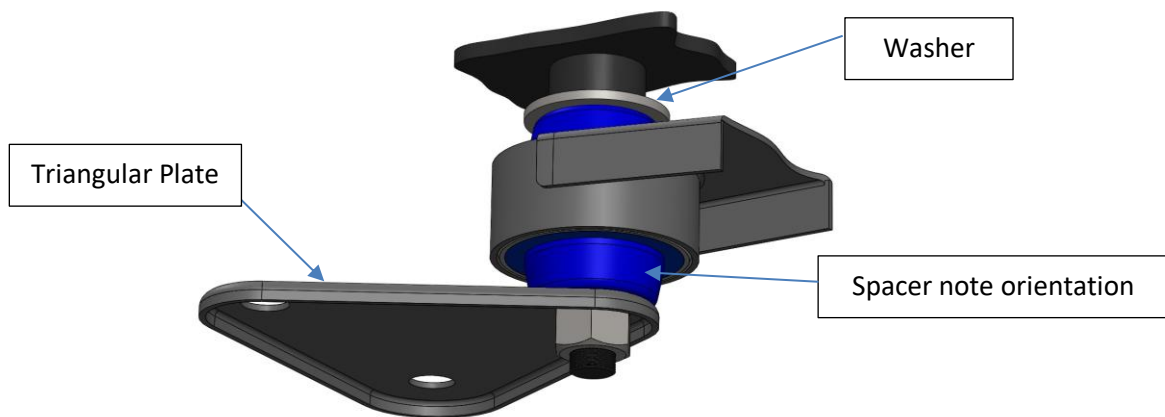


Fitting Instructions #1040IS

Subaru Various Models

Front Lower Control Arm

- Remove the control arms from the vehicle;
- Grease the faces of the polyurethane spacer washers, and push them onto the tubes. The spacers are to be arranged as depicted in the diagram below;
- Note some models with the protruding mounting peg will require the use of supplied washer. Position this washer onto mounting peg before offering up control arms as per diagram below.
- Refit the control arms and washers into the vehicle ensuring triangular mounting plate is reinstalled.
- Wheel align vehicle and check new settings;
- All mounting bolts are to be tightened to manufactures specifications with the vehicle at ride height.



Fitting Instructions #TRCARMIS

SuperPro Control Arms



1. Observe positioning and fitment of original control arm;
2. Use safe working systems of jacks and/or hoists to raise and support the vehicle, and remove the wheels;
3. Note it may be necessary to do the following: remove the shock absorber or Swaybar link, support the steering knuckle/brake rotor to allow removal of original control arm and fitment of new control arm;
4. During removal, take extra care to not stretch any cables/lines;
5. Install the new Roll Control Arms securely in the vehicle, torque all fasteners according to the 'General Torque Specification' table or the manufacturer's specification;
6. It is highly recommended that your vehicle is wheel aligned after the installation is complete.
7. Always recheck the installation after 1000 kilometres of use.

Please Note:

- o The use of this SuperPro Roll Control product will result in a change to the handling characteristics of your vehicle;
- o Please drive carefully until you are familiar with the improved handling;
- o SuperPro does not take responsibility for incorrect fitment of Roll Control products;
- o In certain Countries the fitment of aftermarket parts may not be permitted;
- o Please make sure of laws prior to fitment;
- o The Vehicle owner and user are solely responsible for the legality and safety of the vehicle modified using SuperPro Roll Control Products.

General Torque Specification								
Size	Class 8.8				Class 10.9			
	Lubricated		Dry		Lubricated		Dry	
	Nm	lb-ft	Nm	lb-ft	Nm	lb-ft	Nm	lb-ft
M10	43	32	55	40	63	47	80	60
M12	75	55	95	70	110	80	140	105
M14	120	88	150	110	175	130	225	165